

SURGICAL TECHNIQUE GUIDE  
**APEX 3D™ Total Ankle Replacement**



## PRODUCT DESCRIPTION:

The Paragon 28® APEX 3D™ Total Ankle Replacement System is a fixed bearing device comprised of a tibial component, a talar component and a Vitamin E Ultra-High Molecular Weight Polyethylene component. Implants are available in varying sizes and design configurations intended for both primary and revision applications.

## CONTENTS

<b>SECTION 1</b>	<b>APEX 3D™ TOTAL ANKLE REPLACEMENT OVERVIEW</b>
	<b>Product Information..... 2</b>
<b>SECTION 2</b>	<b>APEX 3D™ TOTAL ANKLE REPLACEMENT</b>
	<b>Surgical Approach..... 3</b>
	<b>Traditional Alignment Guide..... 4-11</b>
	<b>Tibial Sizing Confirmation ..... 12-14</b>
	<b>Finalize and Lock Position ..... 15</b>
	<b>ARC Tibia™ / Chamfer Cut Talus ..... 16-26</b>
	<b>Tibial Trialing ..... 17-31</b>
	<b>Vertical Peg Preparation ..... 32-39</b>
	<b>Chamfer Talus Preparation..... 40-45</b>
	<b>Poly Trialing ..... 46-47</b>
	<b>Chamfer Talus Preparation..... 48-52</b>
	<b>Final Implant Placement..... 53-56</b>
<b>APPENDIX</b>	
<b>A</b>	<b>FLAT-Cut Implant: Preparation..... 57-64</b>
	<b>FLAT-Cut Implantation ..... 65</b>
<b>B</b>	<b>Implant Removal Instructions ..... 66</b>
<b>C</b>	<b>MR Safety Information ..... 67</b>
<b>D</b>	<b>Implant Size Options ..... 68-73</b>
<b>E</b>	<b>Instrument Case and Tray Layout ..... 74-75</b>
	<b>Instrument Case and Tray Contents..... 76-80</b>

## DESIGN TEAM

**Mark Dalton, MD** – Austin, TX

**Jeffrey Christensen, DPM** – Everett, WA

**Michael Houghton, MD** – Fort Collins, CO

**Mark Myerson, MD** – Denver, CO

## ACKNOWLEDGMENTS:

Contributing Surgeon Advisors, Paragon 28's Development Engineers, Clinical Researchers and Marketing Teams.

## SURGICAL APPROACH:



### STANDARD ANTERIOR SURGICAL APPROACH

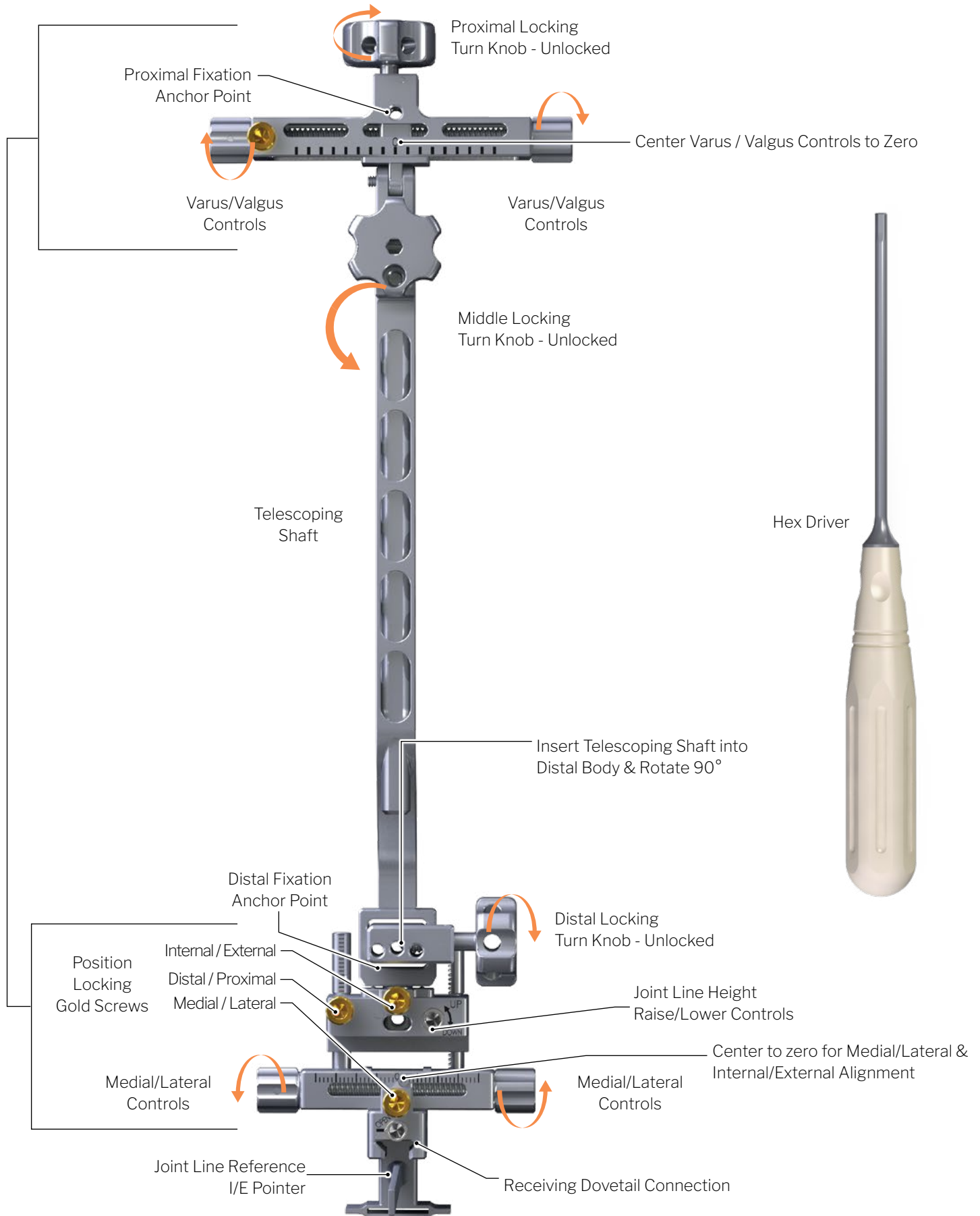
- A longitudinal midline incision is made over the anterior ankle, beginning approximately 7 cm proximal to the ankle joint and terminating at approximately or just distal to the talonavicular joint.
- Care should be taken to avoid excess retraction on the skin margins. Full thickness retraction is performed to protect the extensor tendons and neurovascular structures.
- After the initial skin incision, deepen through the subcutaneous tissue. The superficial peroneal nerve (SPN) is identified and protected to avoid injury.
- Identify the extensor retinaculum and incise between the anterior tibia and EHL tendon, preserving as much of their respective sheaths as possible.
- Retract the anterior tibia tendon and its respective sheath medially and the EHL and its sheath laterally. Take care to avoid injury to the underlying neurovascular structures laterally.
- A longitudinal capsulotomy is performed creating medial and lateral capsular flaps, which are elevated and retracted. This exposes the anterior ankle joint, medial and lateral gutters, and dorsal talar neck.

### JOINT EXPOSURE

- If necessary, remove marginal tibiotalar osteophytes from the anterior ankle which may impede instrumentation entry and placement.
- If excessive talar bossing or spurs are noted, it is recommended that the prominence is resected to normalize contour.

# PREPARING THE TRADITIONAL ALIGNMENT GUIDE:

Rotational & Translational Micro Adjustments



## TRADITIONAL ALIGNMENT GUIDE (TAG):

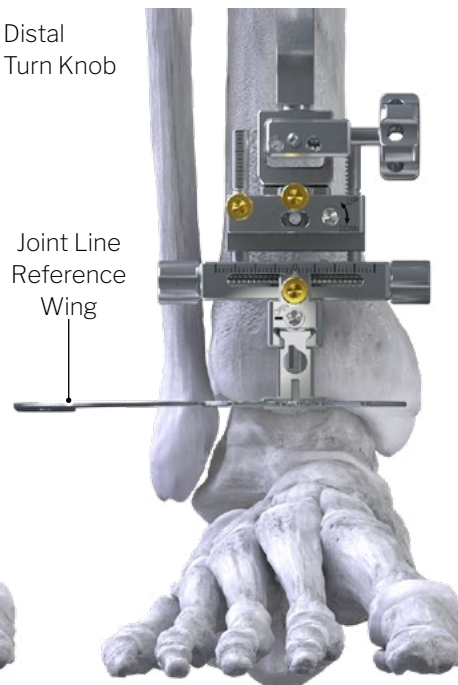


**SET UP:** Have large C-Arm in lateral position at the level of the ankle joint entering over the operative site from the contralateral side.

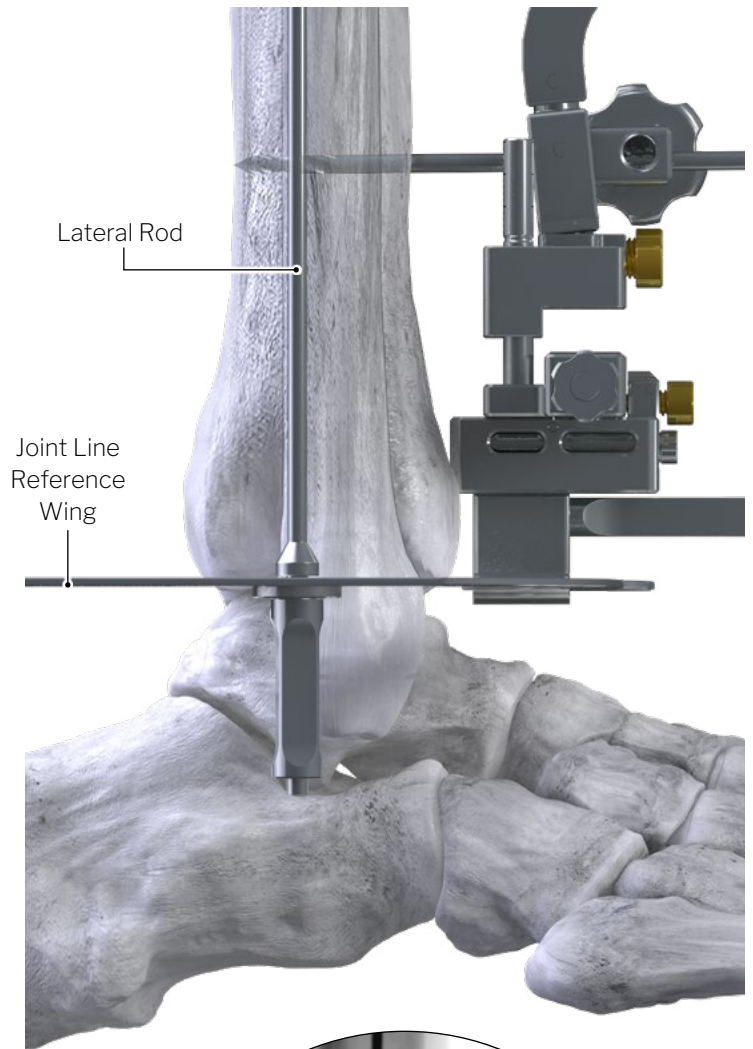
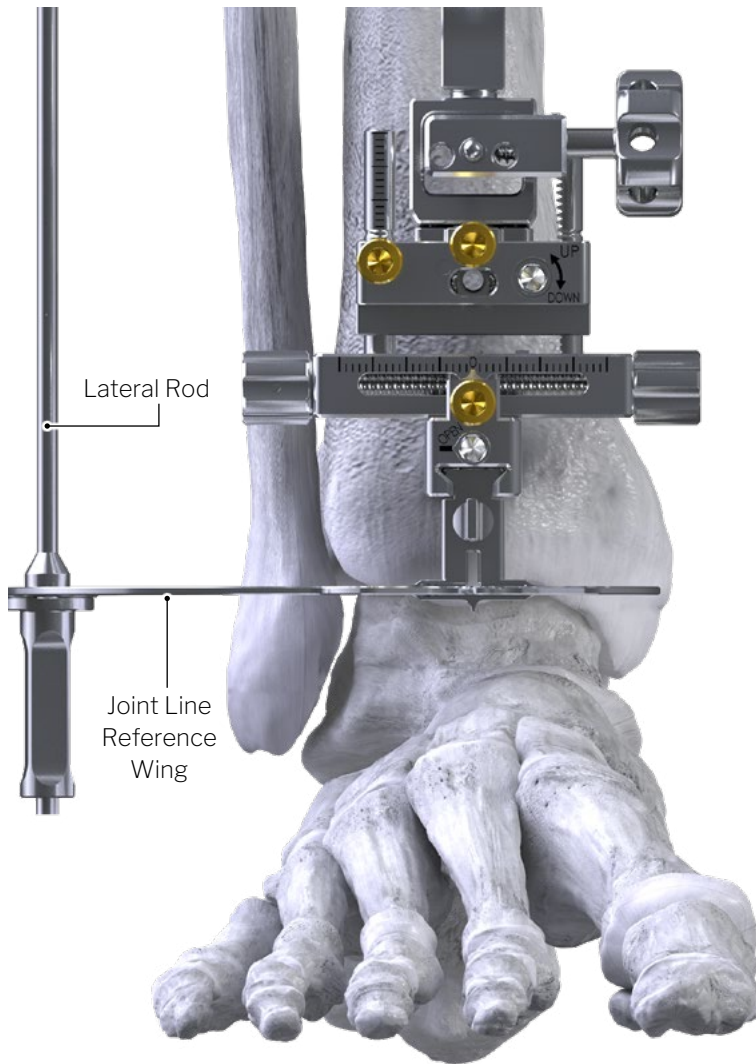


### PROXIMAL TIBIAL FIXATION & GROSS JOINT POSITION

- Palpate and identify the tibial tuberosity (TT).
- Place a Ø3.0 mm x 160 mm Fluted Steinmann Pin bicortically, 90° perpendicular to the tibial axis.
- Anchor proximal end of the Traditional Alignment Guide (TAG) assembly by sliding the proximal hole over the Ø3.0 mm Steinmann pin.
- Secure proximal TAG position by locking the Proximal Turn Knob, approximately two finger breadths from the tibial crest.
- With the Joint Line Reference I/E Pointer to approximate Joint Line Height, attached and locked into the TAG's dovetail connection:
  - Telescope the TAG assembly distally until approximated with tibiotalar joint line height.
  - Under lateral fluoroscopy, utilize the Joint Line Reference Wing to approximate Joint Line Height, then lock Middle Turn Knob on telescoping shaft.
- Secure position by placing a Ø3.0 mm x 100 mm Fluted Steinmann Pin perpendicular and bicortically into one of the three distal TAG holes based on alignment requirements, targeting the flat region of metaphyseal bone, avoiding the tibial crest. Confirm Pin is parallel with the JLR I/E Pointer, then lock Distal Turn Knob.

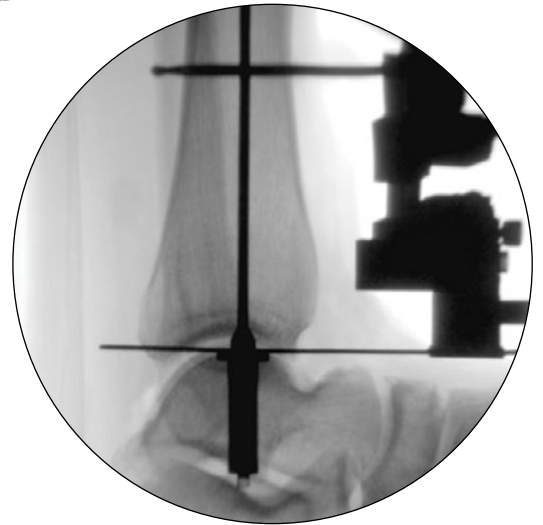


## TRADITIONAL ALIGNMENT GUIDE (TAG):



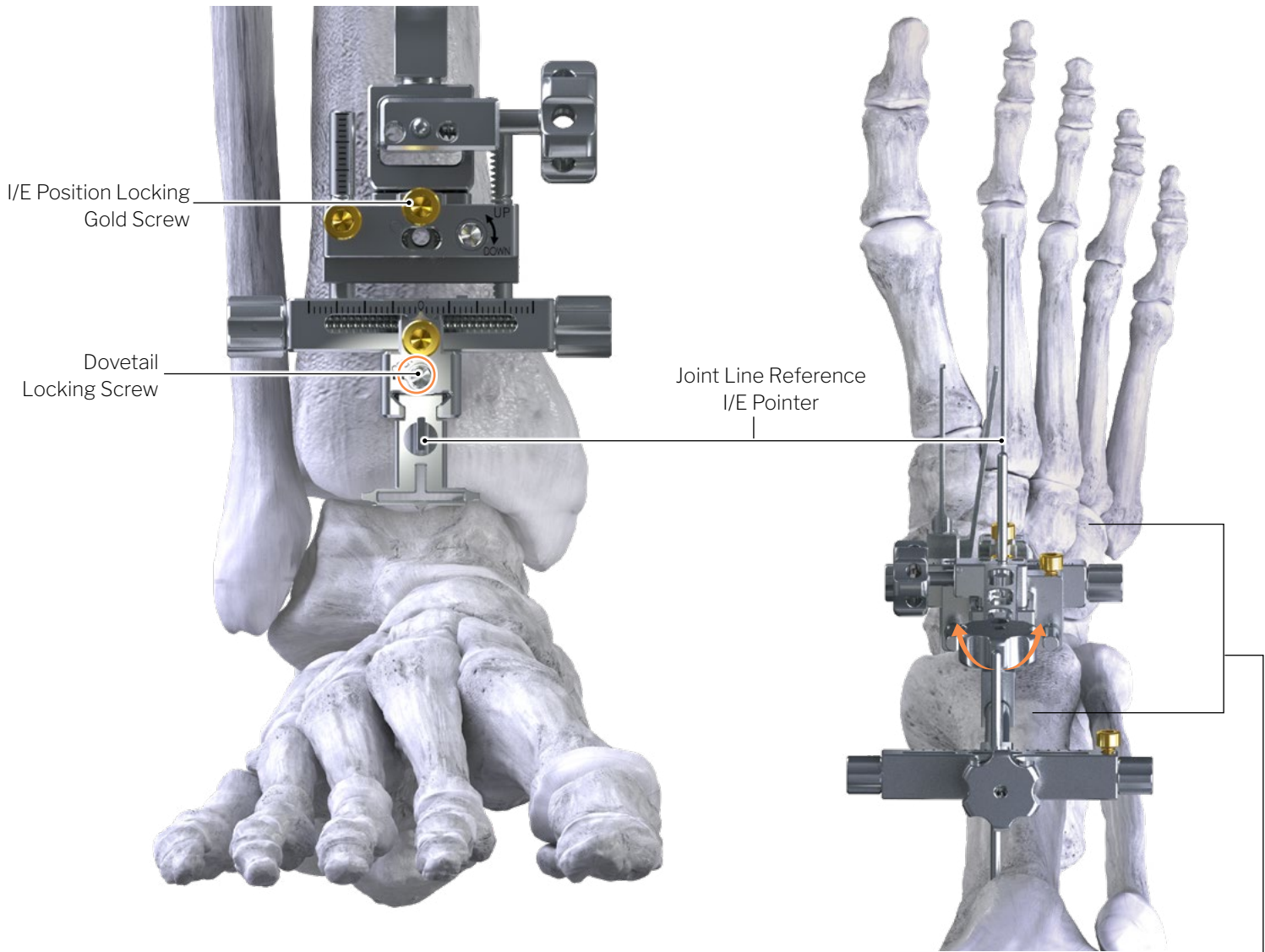
## ESTABLISH SLOPE

- Attach Lateral Rod to Joint Line Reference Wing and utilize assembly to approximate distal tibial slope under lateral fluoroscopy.
- Adjust for zero slope with Lateral Rod by aligning:
  - With tibial canal, or
  - Parallel to the posterior tibial cortex.
- Remove Wing/Rod assembly.



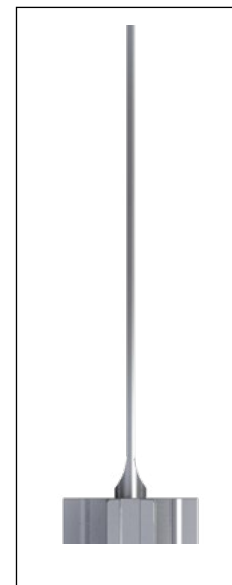
**NOTE:** Zero distal tibial slope ( $90^\circ$  to the tibial axis) is the default alignment with this system. It is recommended that the Wing also be used to evaluate slope. If adjustments are needed, raise and lower TAG on either the proximal or distal anterior tibial fixation pin locations, then re-tighten locking turn knobs to secure position.

**TRADITIONAL ALIGNMENT GUIDE (TAG):**



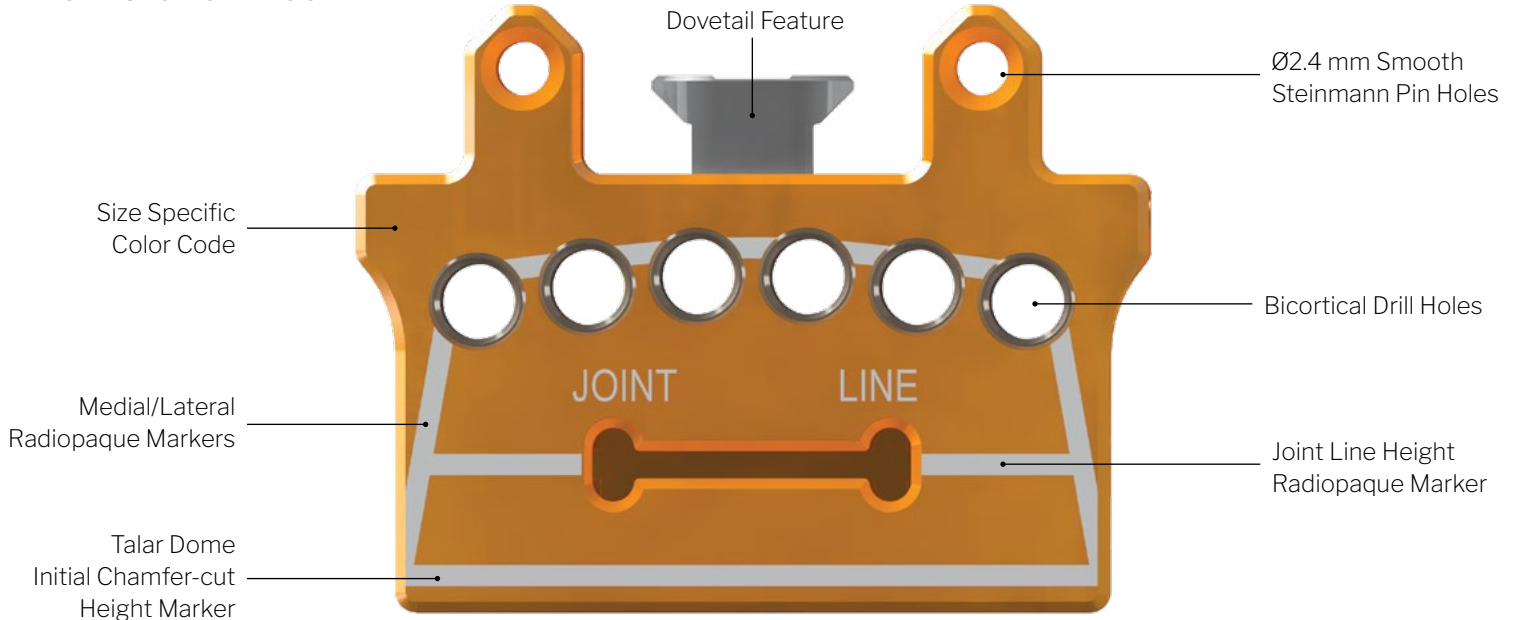
**INTERNAL - EXTERNAL ROTATIONAL ADJUSTMENTS**

- Based on preference, utilize the Joint Line Reference I/E Pointer to visually guide I/E rotation against:
  - 2<sup>nd</sup> - 3<sup>rd</sup> metatarsal, or
  - Medial Gutter, or
  - Gutter Bisection
- Once final alignment has been established, lock in final position with corresponding gold screw.
- Unlock silver dovetail screw, then remove the I/E Pointer and Gutter Alignment Tool.



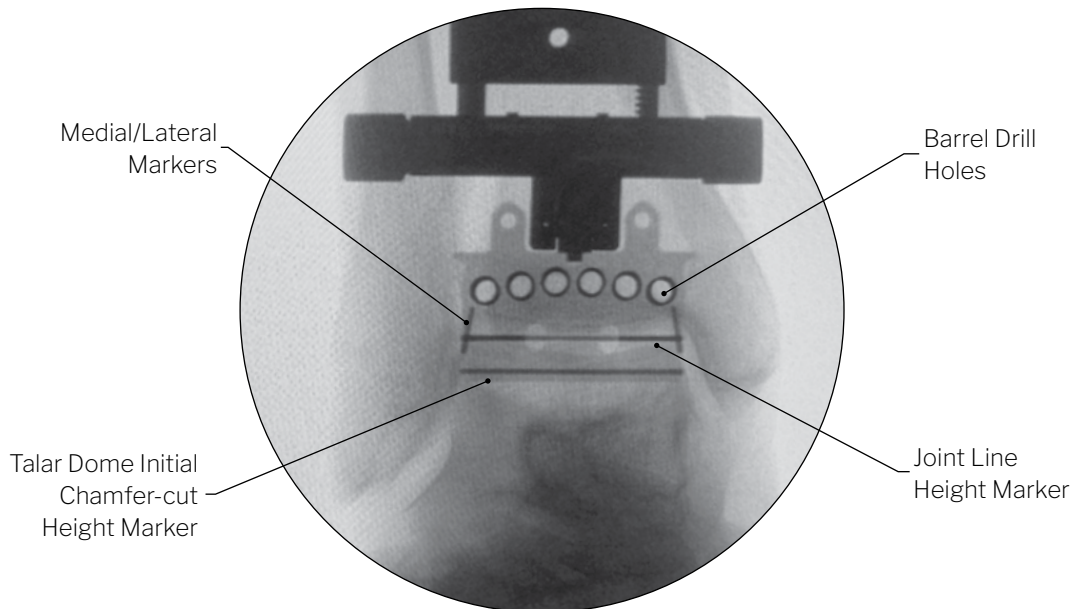
## PREPARING THE TRADITIONAL ALIGNMENT GUIDE:

### SIZING RESECTION BLOCK



#### APEX 3D COLOR CODES

<b>Size 1 - Green</b> ●	<b>Size 2 - Yellow</b> ●	<b>Size 3 - Purple</b> ●	<b>Size 4 - Orange</b> ●	<b>Size 5 - Dark Blue</b> ●	<b>Size 6 - Bronze</b> ●
----------------------------	-----------------------------	-----------------------------	-----------------------------	--------------------------------	-----------------------------



**NOTE:** The Sizing Resection Block is utilized to evaluate and determine the appropriate Tibial Implant size and determine placement. Talar Chamfer-cut Height Marker serves as general talar resection level indicator for coupled cuts. Talar sizing will be determined during subsequent steps. See Section 7 for Chamfer-cut and Appendix A for Flat-cut sizing instructions.

## TRADITIONAL ALIGNMENT GUIDE (TAG):

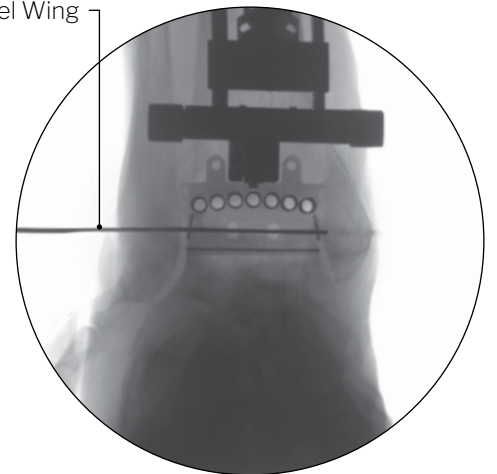
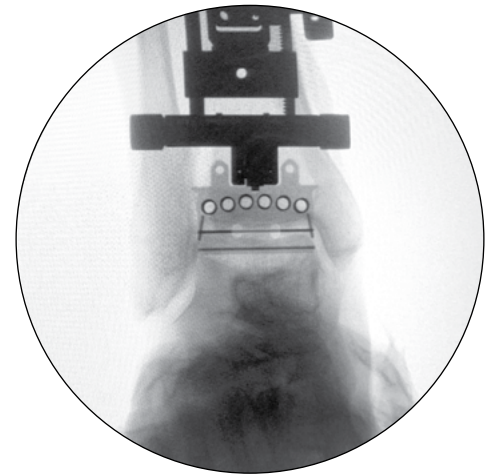
### VARUS / VALGUS ADJUSTMENTS



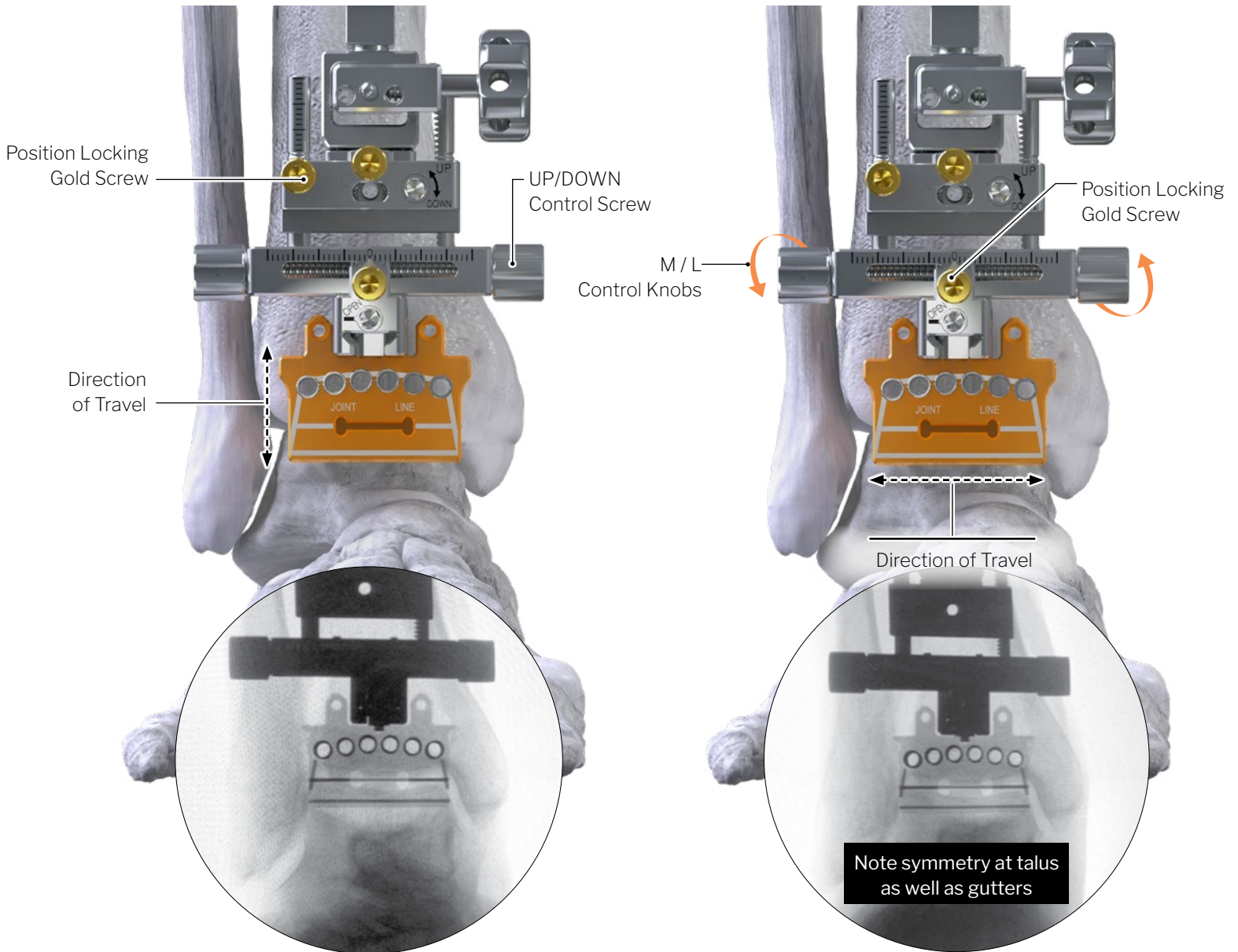
- Select and attach the appropriate Sizing Resection Block based on pre-op planning, and estimated tibial sizing requirements.
- With Sizing Block or optional JLR Angel Wing:
  - Evaluate varus / valgus under an AP fluoroscopic view.
  - To adjust varus / valgus alignment, rotate the Proximal Control Knobs.
- (Optional): Once confirmed, lock the gold screw adjacent to V/V proximal control knobs.



**NOTE:** For a true AP view of the ankle, ensure Wing is overlapping the Joint line fluoroscopy marker of the Sizing Resection Block.



## TRADITIONAL ALIGNMENT GUIDE (TAG):

JOINT LINE HEIGHT - DISTAL - PROXIMAL  
ADJUSTMENTS

- Under an AP fluoroscopic view, evaluate and adjust joint line height by rotating the silver "UP/DOWN" control screw on the right side of the control block with hex driver.
- Once appropriate positioning has been achieved, secure the joint line height by rotating the position locking gold screw.

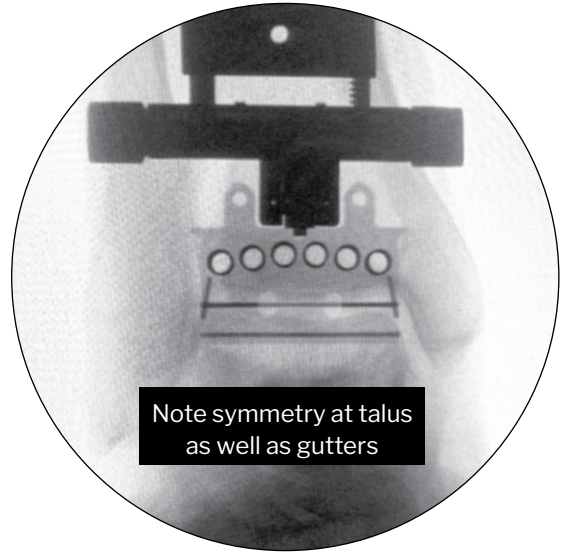
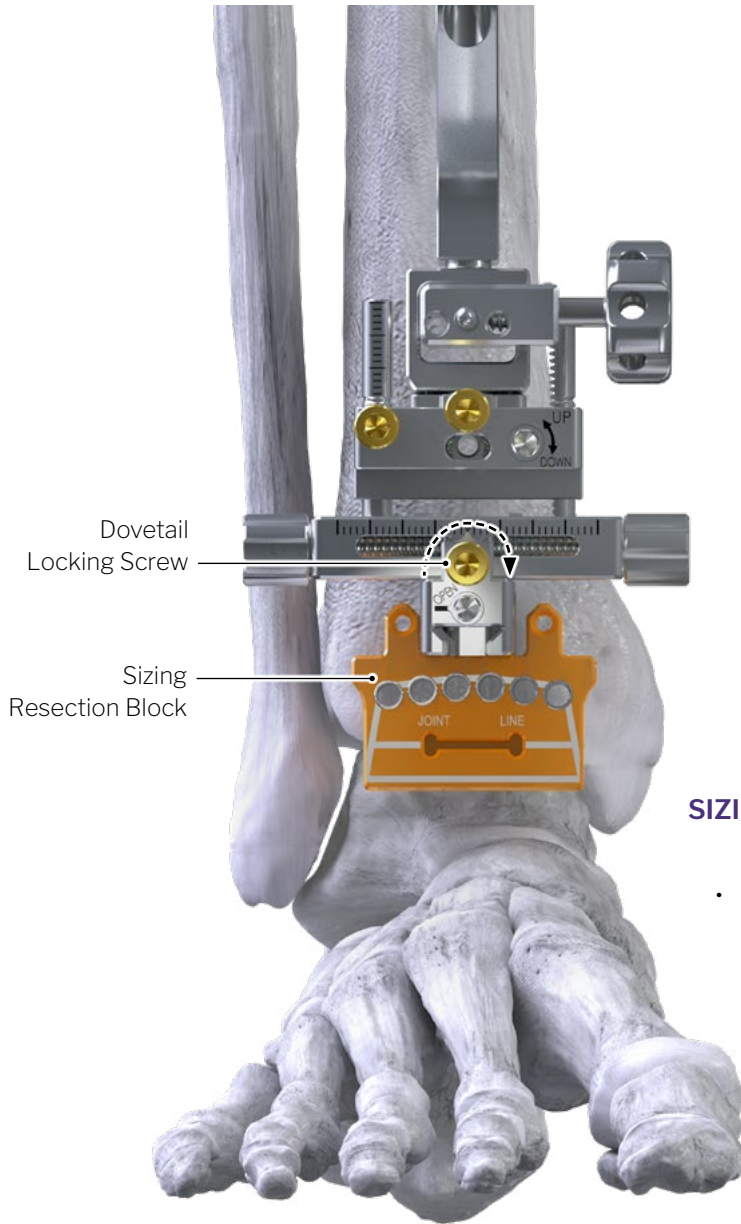
## MEDIAL - LATERAL MICRO ADJUSTMENTS

- Adjust medial / lateral (M/L) alignment by rotating the Distal Control Knobs.
- Under an AP fluoroscopic view to verify the Sizing Resection Block is aligned with the medial and lateral gutters.
- Lock in M/L alignment by rotating the center most gold screw until threads are fully seated.



**NOTE:** Use radiopaque alignment markers within the Sizing Resection Block to evaluate positioning.

TRADITIONAL ALIGNMENT GUIDE (TAG):

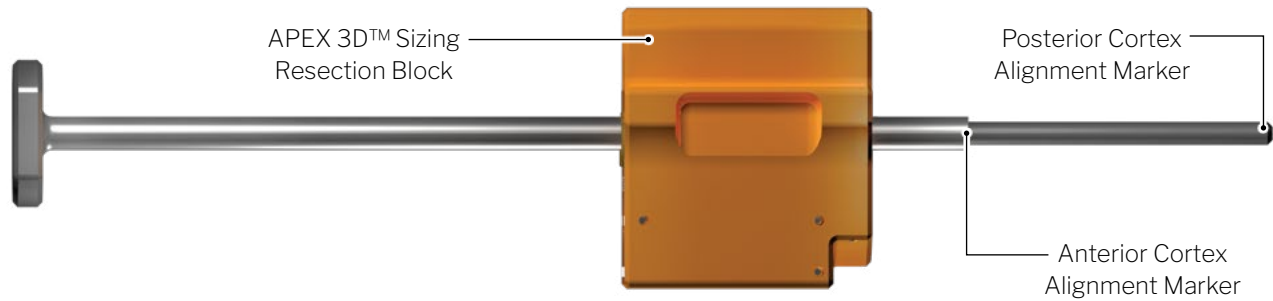
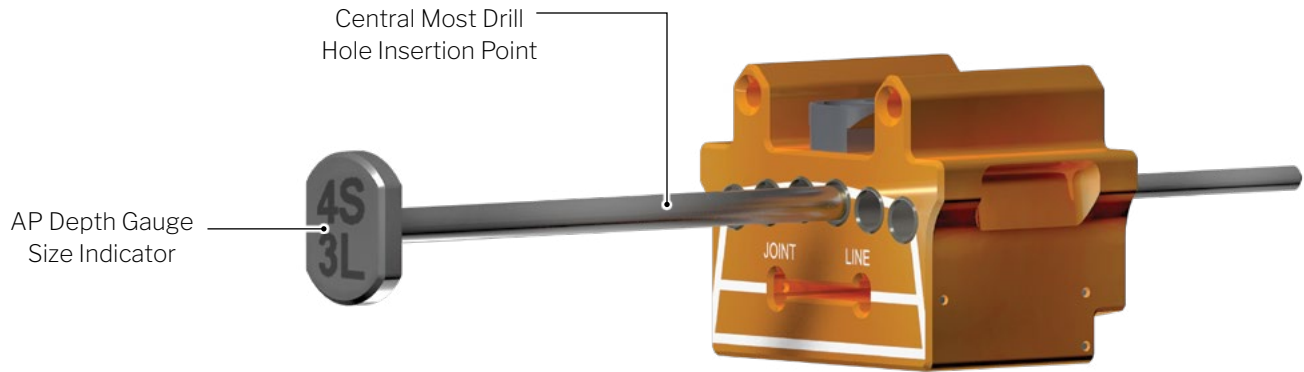


**SIZING EVALUATION**

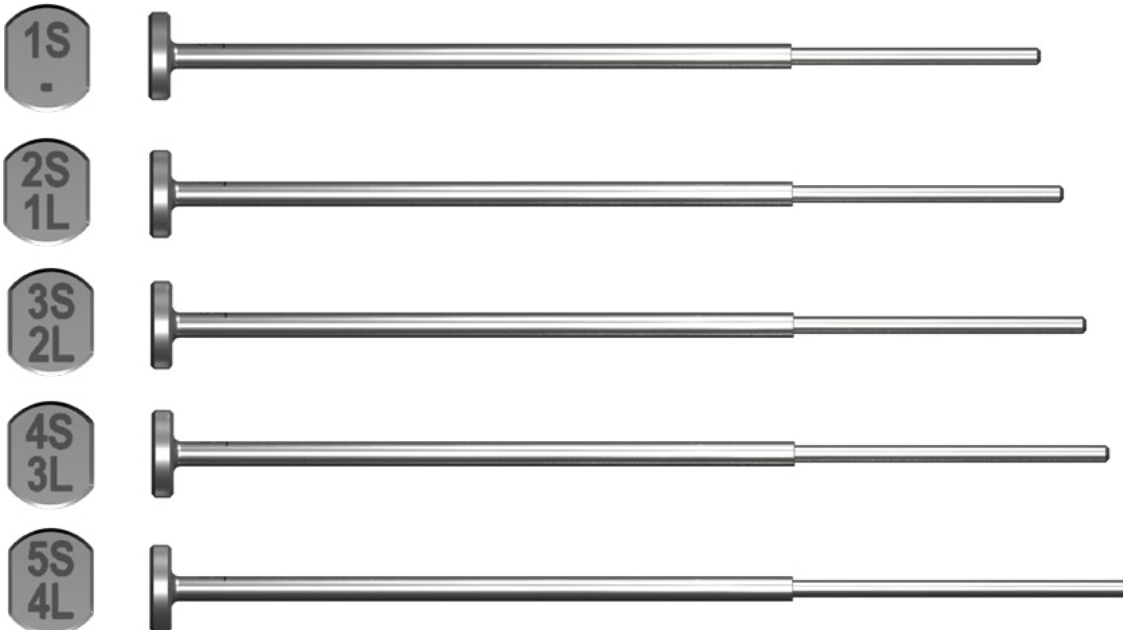
- Under an AP Fluoroscopic view, evaluate position against M/L gutters, then swap blocks to adjust sizing as needed.

## INSTRUMENT OVERVIEW:

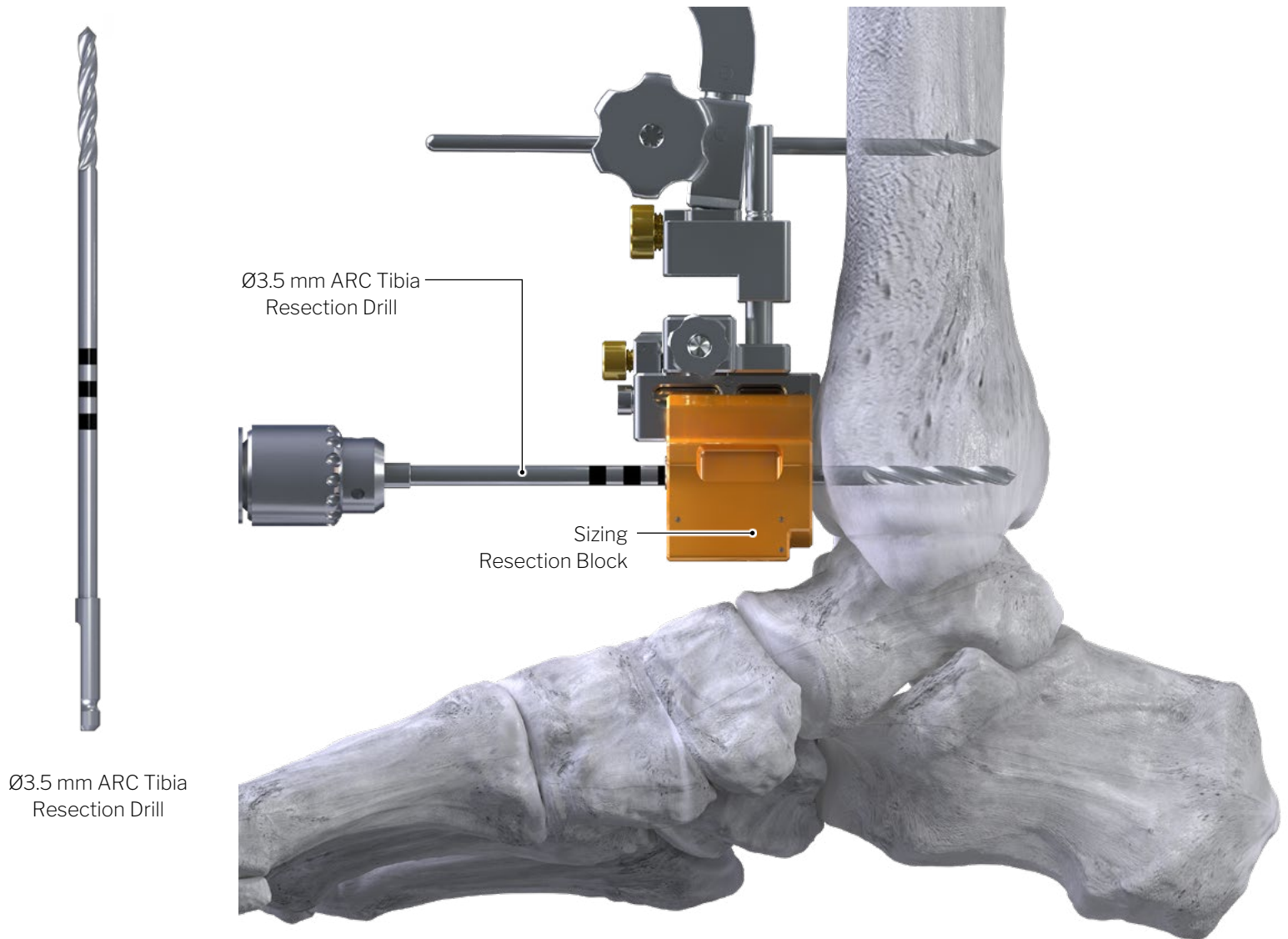
APEX 3D COLOR CODES					
Size 1 - Green ●	Size 2 - Yellow ●	Size 3 - Purple ●	Size 4 - Orange ●	Size 5 - Dark Blue ●	Size 6 - Bronze ●



## TIBIAL AP DEPTH GAUGES



## TIBIAL AP SIZING CONFIRMATION:



### PILOT HOLE – Ø3.5 MM BICORTICAL RESECTION DRILL

- Create a pilot hole utilizing the Ø3.5 mm ARC Tibia Resection Drill to insert the Tibial AP Sizing Depth Gauge.
- Drill bicortically into the central most hole of the Sizing Resection Block, ensuring the Drill clears the posterior cortex, but does not penetrate beyond.
- Remove the Drill and prepare to insert the AP Sizing Depth Gauge.

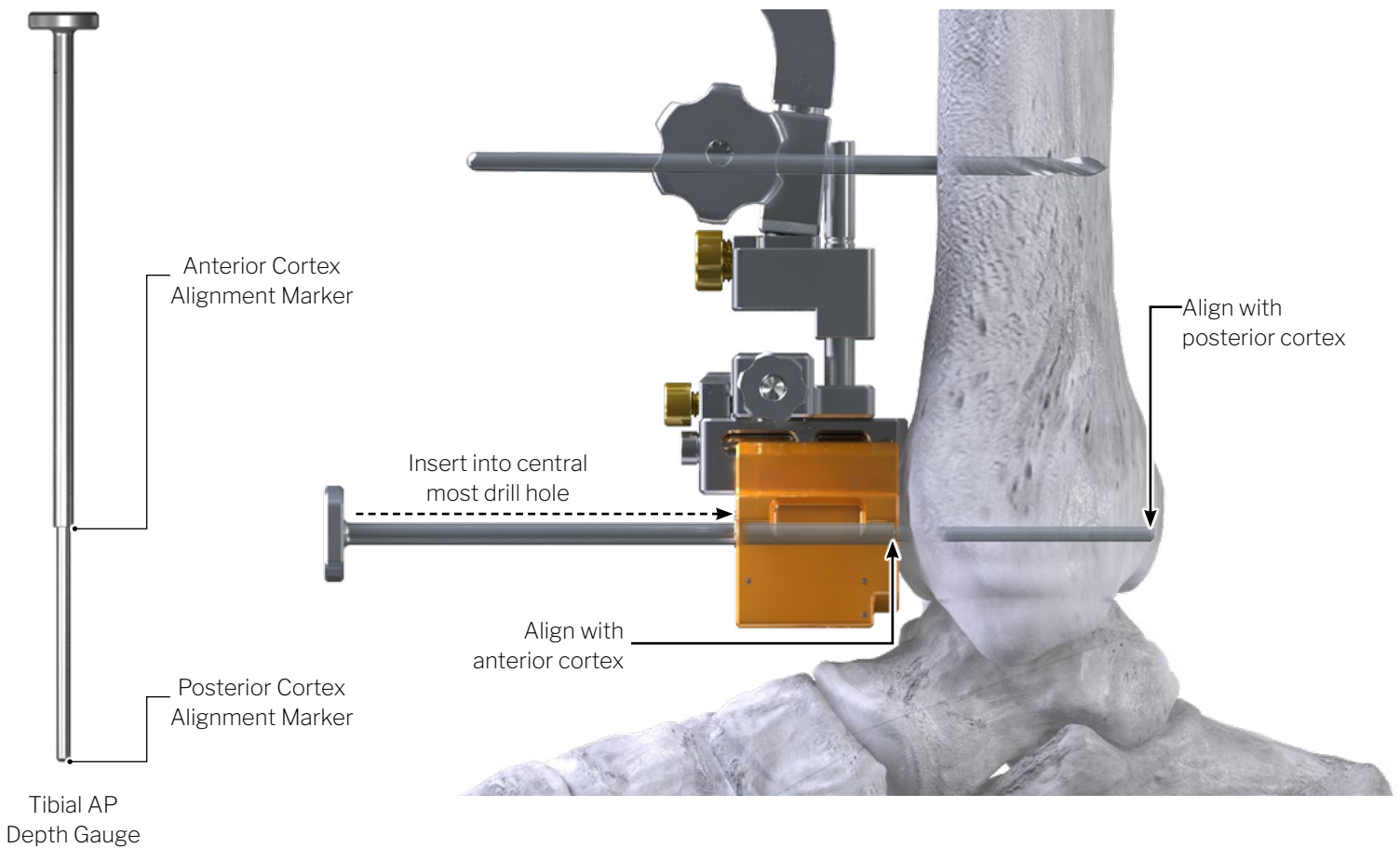


**NOTE:** The medial or lateral drill holes should be avoided and not utilized during the initial AP sizing assessment. If a Flat-Cut tibia was the selected bone resection option, the Sizing Resection Block should still be utilized to assess AP depth and sizing prior to use of the Flat-Cut Resection Block.



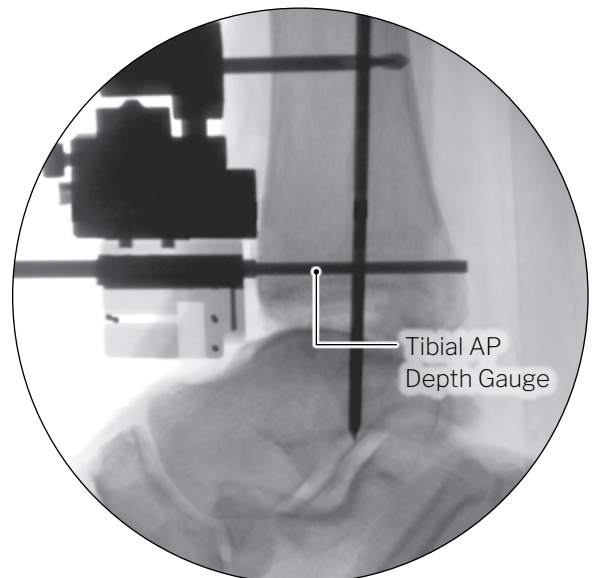
**NOTE:** Laser marking for all Ø3.5 mm APEX Drills should be noted and are for reference only. The markings will help to estimate at which point subsequent drilling will perforate the posterior cortex relative the critical drill depth. Ensure all blocks are fully seated contacting bone.

## TIBIAL AP SIZING CONFIRMATION:

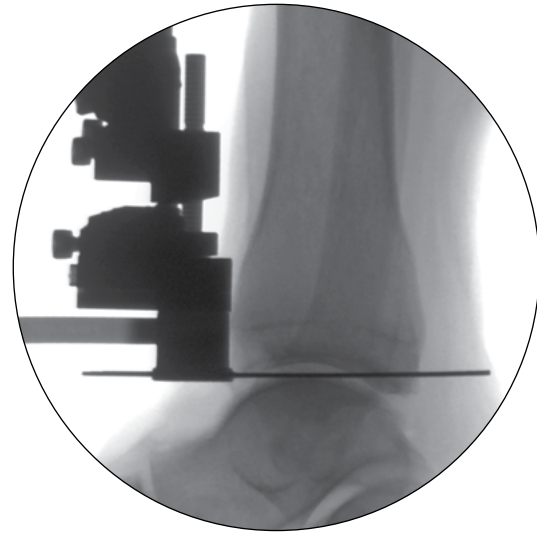
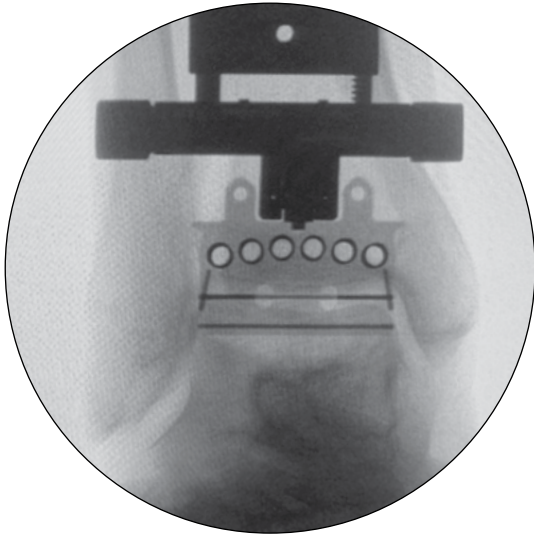


## TIBIAL AP SIZING CONFIRMATION

- Insert the appropriately sized Tibial AP Depth Gauge into the previously drilled hole of the Sizing Resection Block.
- Based on the previously selected Sizing Resection Block, utilize the corresponding AP Depth Gauge to evaluate and confirm AP sizing by:
  - Aligning the anterior cortex marker with the anterior cortex of the tibia.
  - Then evaluating the position of the posterior cortex marker against the posterior cortex of the tibia.
  - If necessary, swap Depth Gauges to assess fit; appropriate sizing has been achieved when both the anterior and posterior aspects of the Depth Gauge sit flush with each respective cortices.



## TRADITIONAL ALIGNMENT GUIDE (TAG):

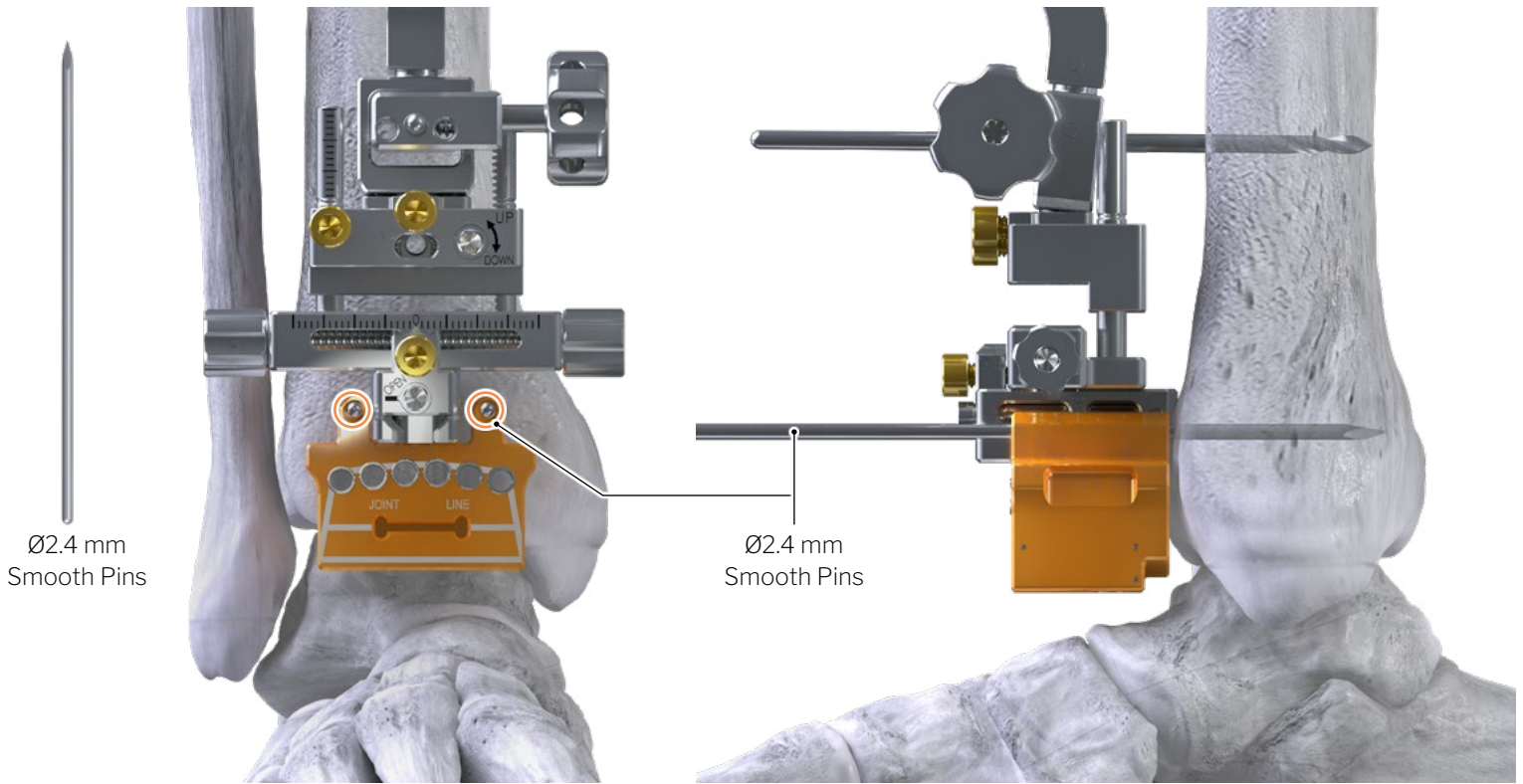


### FINALIZE ALIGNMENT

- Confirm all planes of alignment visually and under fluoroscopy.
- Make final adjustments as necessary

**CHECK POINT:**

<input type="checkbox"/> Slope	<input type="checkbox"/> Joint Line height
<input type="checkbox"/> Internal/External	<input type="checkbox"/> Medial / Lateral
<input type="checkbox"/> Varus / Valgus	<input type="checkbox"/> Sizing

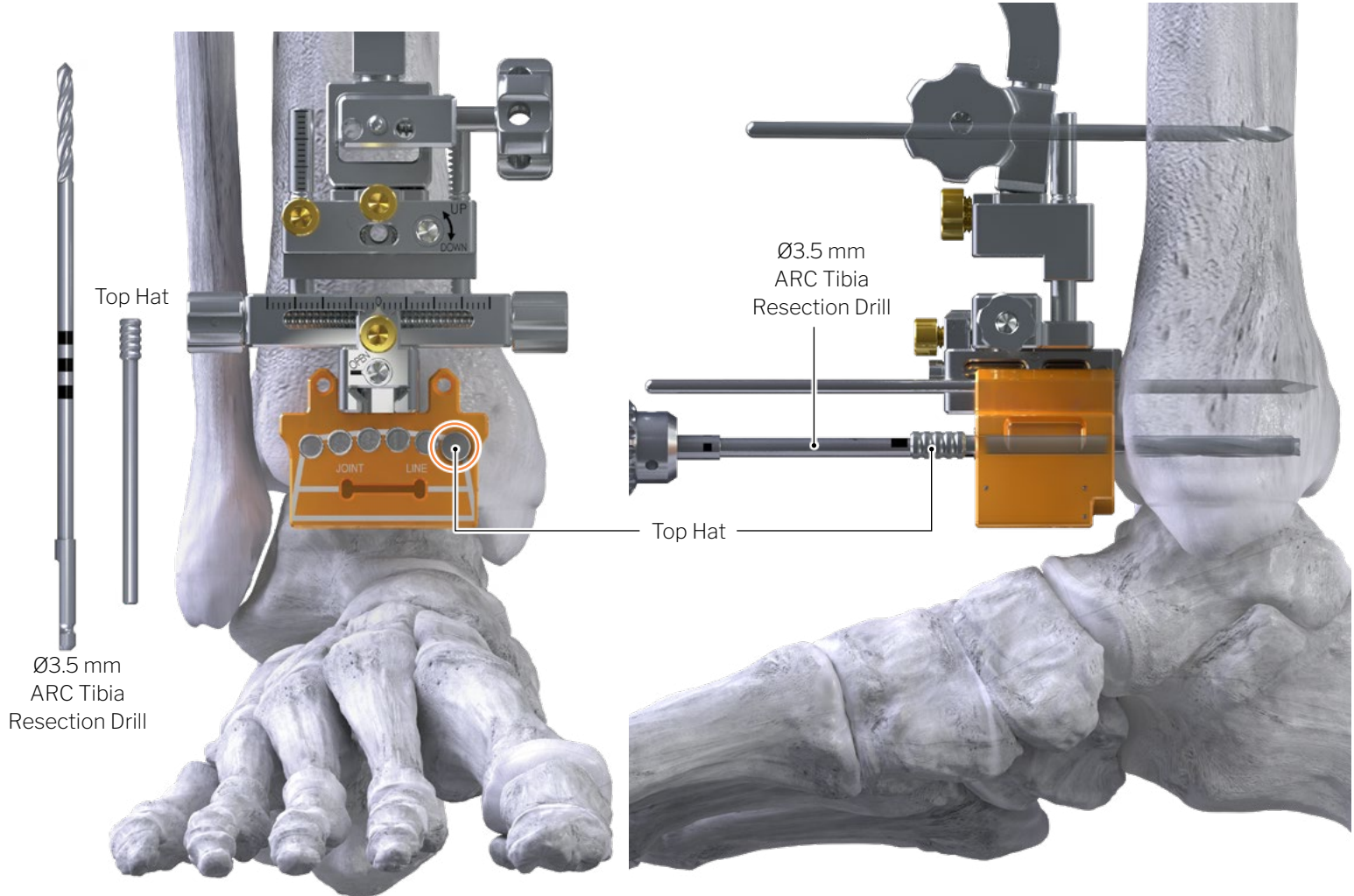


### LOCK FINAL POSITION

- To establish the final position against the tibia, place two (2) Ø2.4 mm x 110 mm Smooth Steinmann Pins into the most proximal M/L holes of the Sizing Resection Block.

**ALTERNATIVE BONE PREPARATION OPTION:**

Flat Tibia | Flat Talus  
**Jump to Appendix A**

**BONE PREPARATION:****BICORTICAL SQUARE TIP DRILL**

- Utilizing the Ø3.5 mm ARC Tibia Resection Drill, drill bicortically into the medial most corner hole of the Sizing Resection Block, ensuring drill clears the posterior cortex, but does not penetrate beyond.
- Remove the drill and place the Ø3.5 mm Top Hat in the drilled hole to help secure the position of the block as the remaining holes are drilled.

**SEQUENTIAL DRILLING**

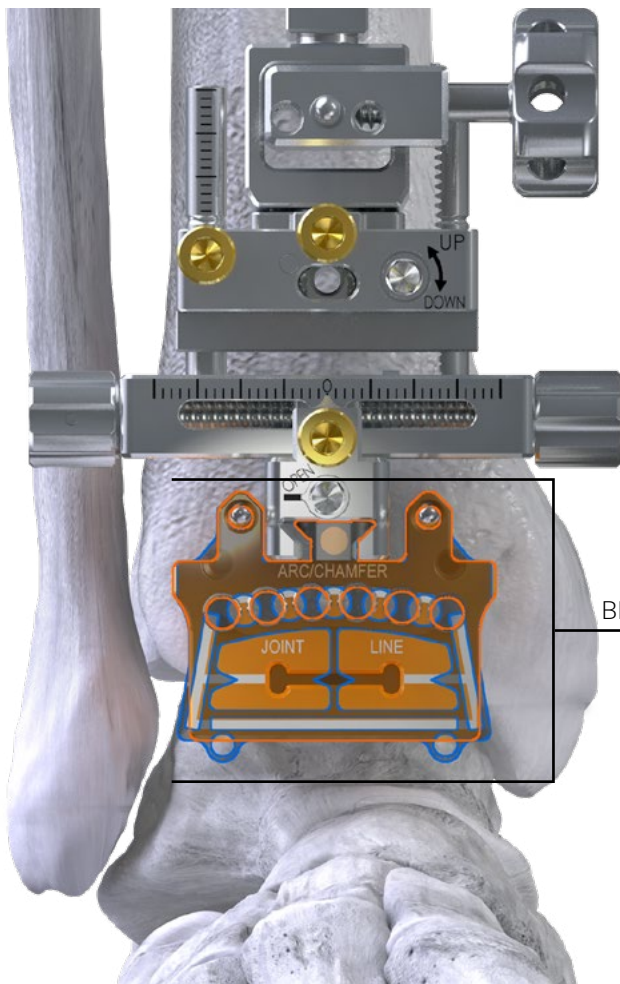
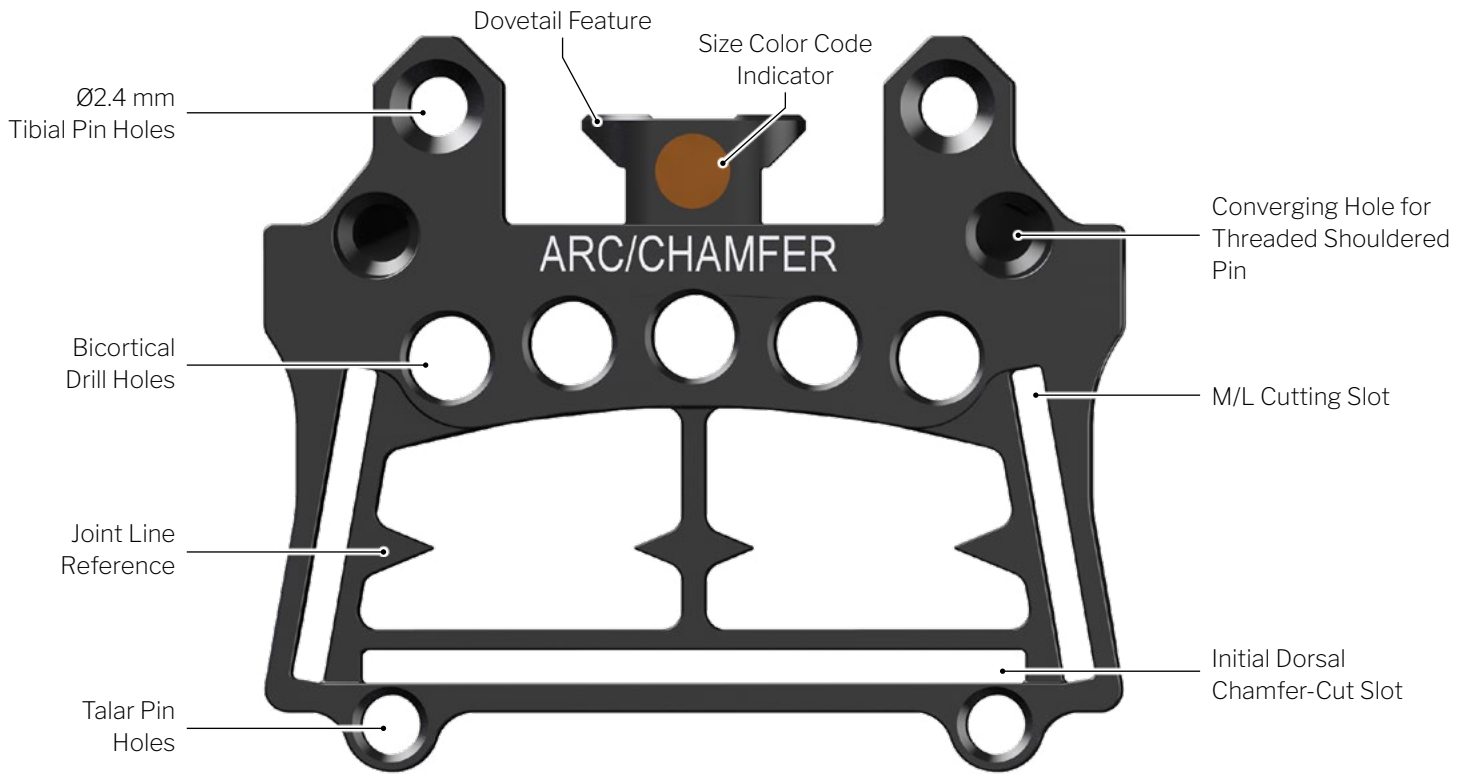
- Perform sequential drilling of the additional holes.
- Rotate the silver “OPEN” screw and remove the Sizing Block and Top Hat.



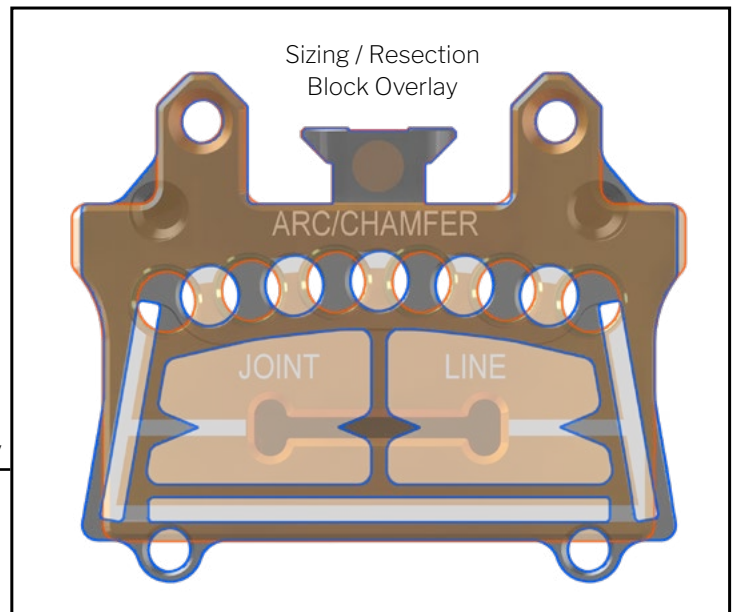
**NOTE:** Ø3.5 mm APEX Drill laser markings should be noted and are for reference only. The markings will help to estimate at which point subsequent drilling will perforate the posterior cortex relative the critical drill depth.

# BONE PREPARATION:

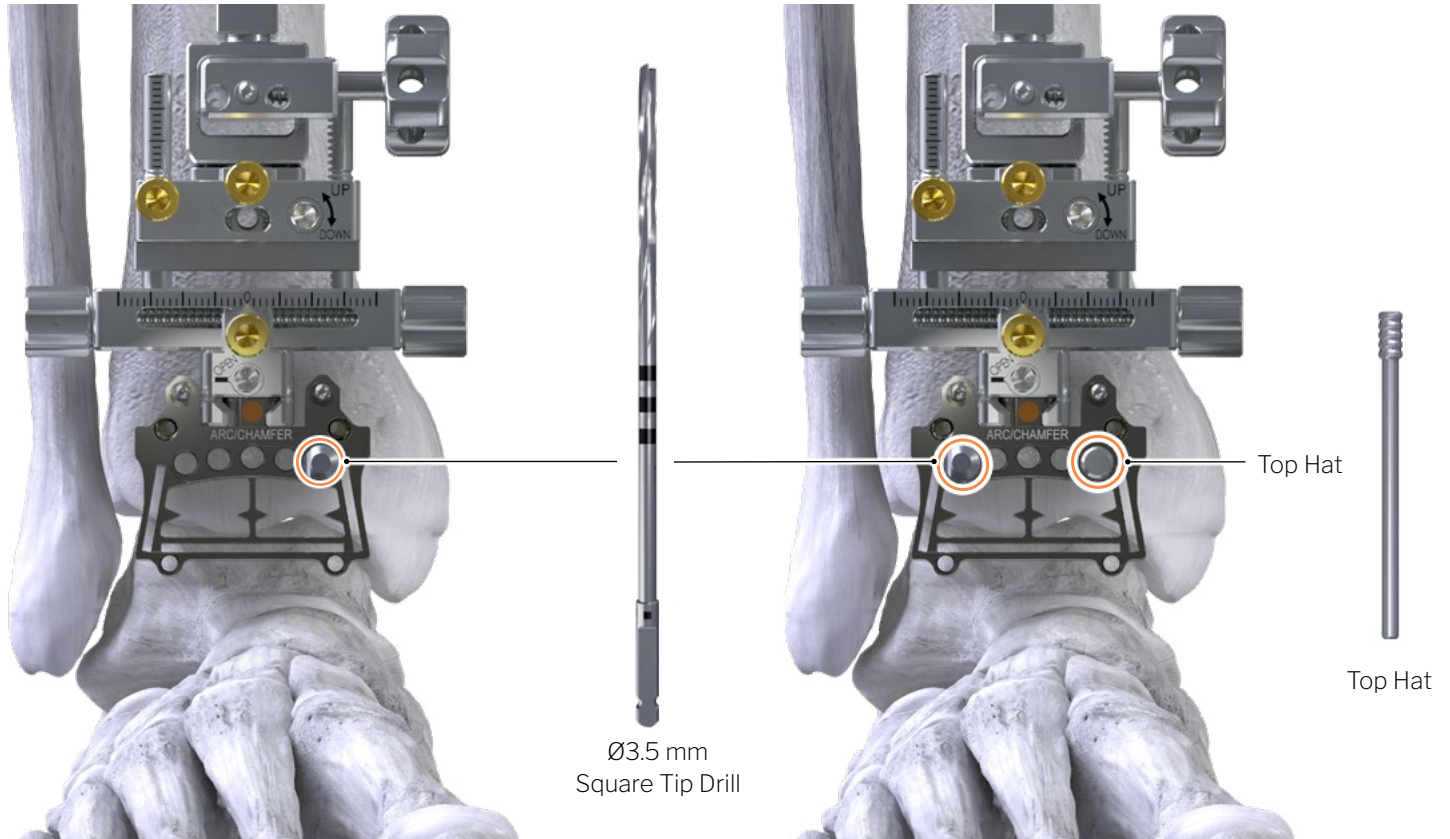
## RESECTION BLOCK



Sizing / Resection Block Overlay



Note Overlapping Drill Holes

**BONE PREPARATION:****TIBIAL BONE PREPARATION – RESECTION BLOCK**

- Slide the proximal portion of the Resection Block over the two (2) M/L Ø2.4 mm guide pins and into the dovetail connection of the Alignment Construct and lock in place.
- Perform sequential drilling with the Ø3.5 mm Square Tip Drill to resect the remaining cortical bone, utilizing Top Hat to stabilize resection block after first hole has been drilled.



**NOTE:** The 3.5 mm Square Tip Drill and the 3.5 mm ARC Tibia Resection Drill can be distinguished by the drill bit end and the visual square markers (4) on the proximal end of the 3.5 mm Square Tip Drill. Functionally, the drills are used in different applications: 3.5 mm ARC Tibia Resection Drill creates an initial hole. The Square Tip Drill removes small bone ridges while minimizing skiving.



**NOTE:** Prior to placing the ARC Tibia / Chamfer-Cut Resection Block, confirm the appropriate resection block type has been selected based on bone preparation preference, since four different options are offered.

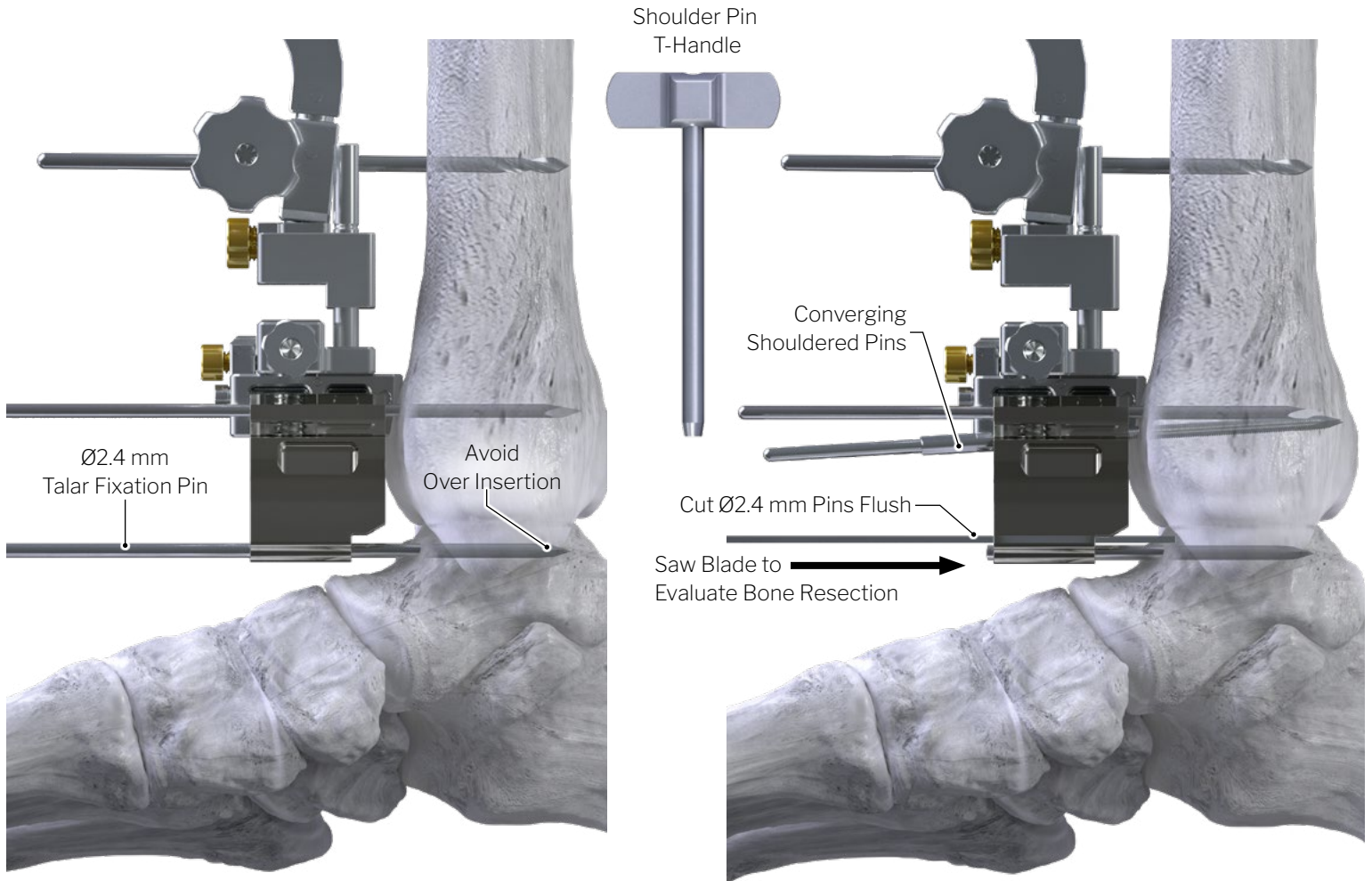


**OPTIONAL PATHWAY:** The APEX 3D System offers both Coupled and Decoupled talar bone resection options.

- If Coupled is the preferred method, follow instructions included in subsequent pages.

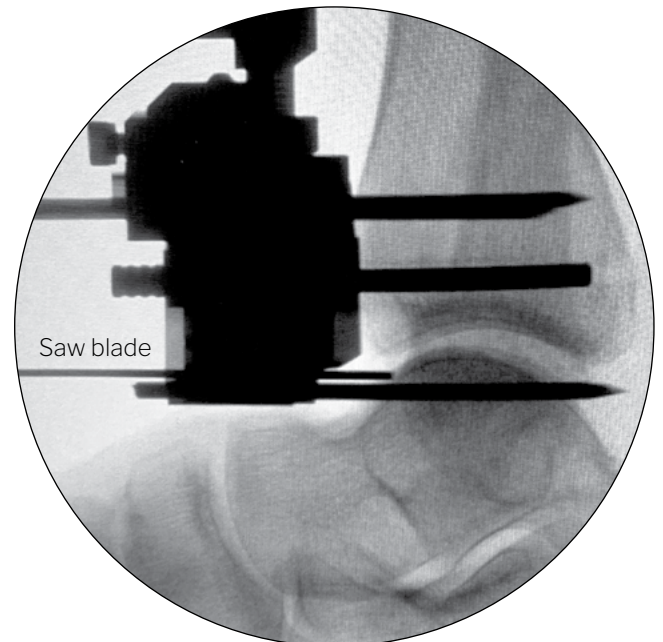
- If Decoupled is the preferred method, please reference the APEX 3D Decoupled Talar Bone Preparation Auxiliary Surgical Technique Guide [P10-STG-0005].

## TIBIOTALAR PLANTIGRADE POSITIONING:



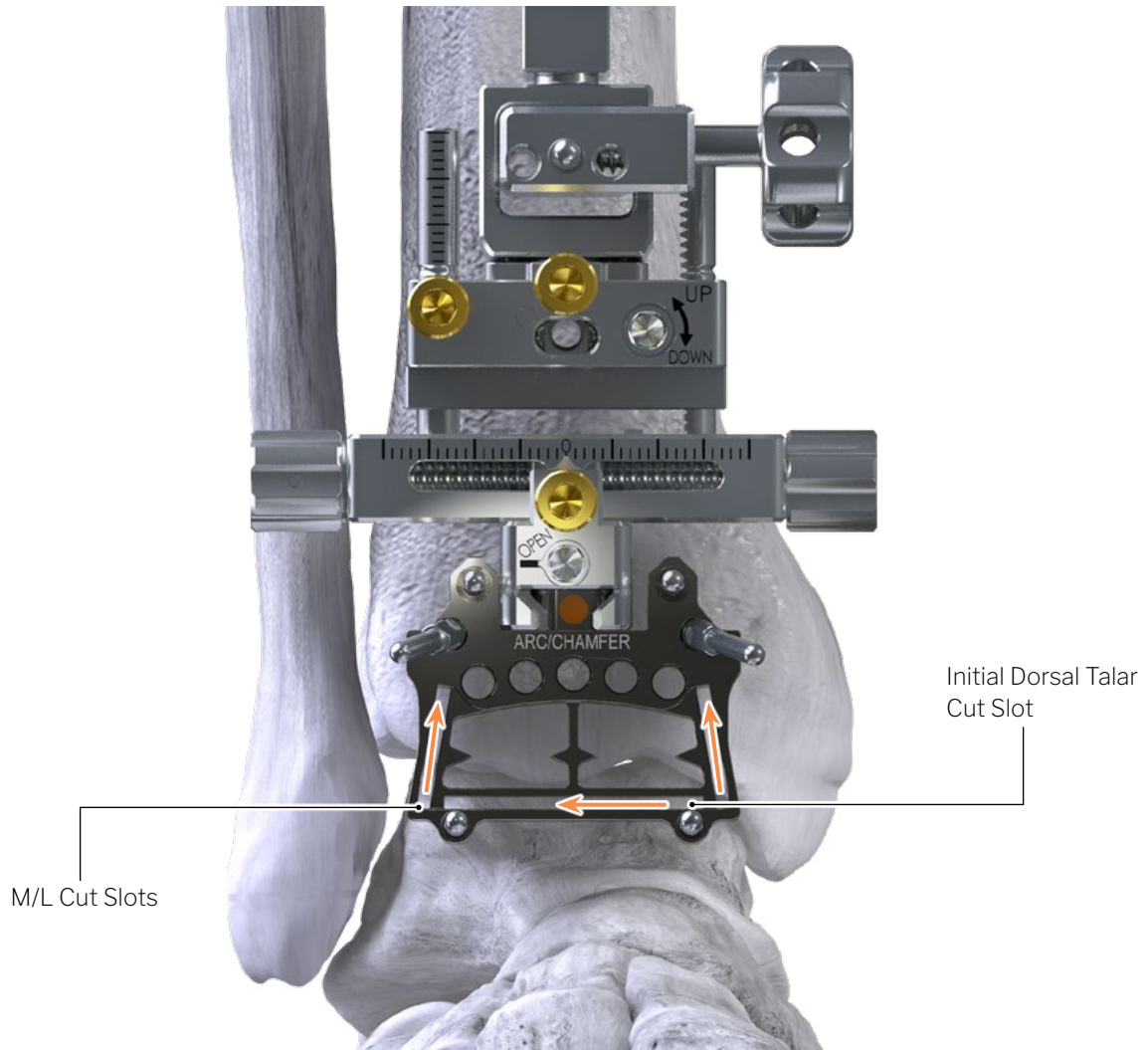
## TIBIOTALAR NEUTRAL PLANTIGRADE POSITION

- With the foot held 90° to the tibial axis, reduce the tibiotalar joint, then secure position by placing two (2) Ø2.4 x 110 mm Smooth Steinmann Pins into the talus through the two distal most holes of the Resection Block, taking care not to penetrate beyond.
- Cut the Ø2.4 mm talar Pins flush with provided Pin Cutters to offset pin depth, allowing for easier access of the saw blade in subsequent steps.
- Insert two (2) Ø2.4 x 50 mm Threaded Shouldered Pins for added block stability, utilizing the T-Handle to fully seat. **(DO NOT SEAT UNDER POWER)**



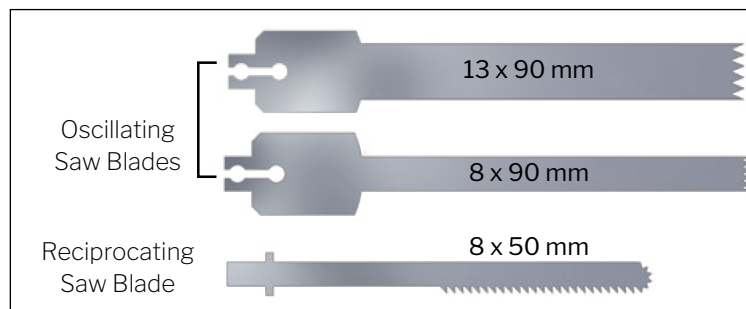
**NOTE:** A saw blade may be used to evaluate initial talar bone resection level under a lateral fluoroscopic view.

## TIBIOTALAR BONE PREPARATION:

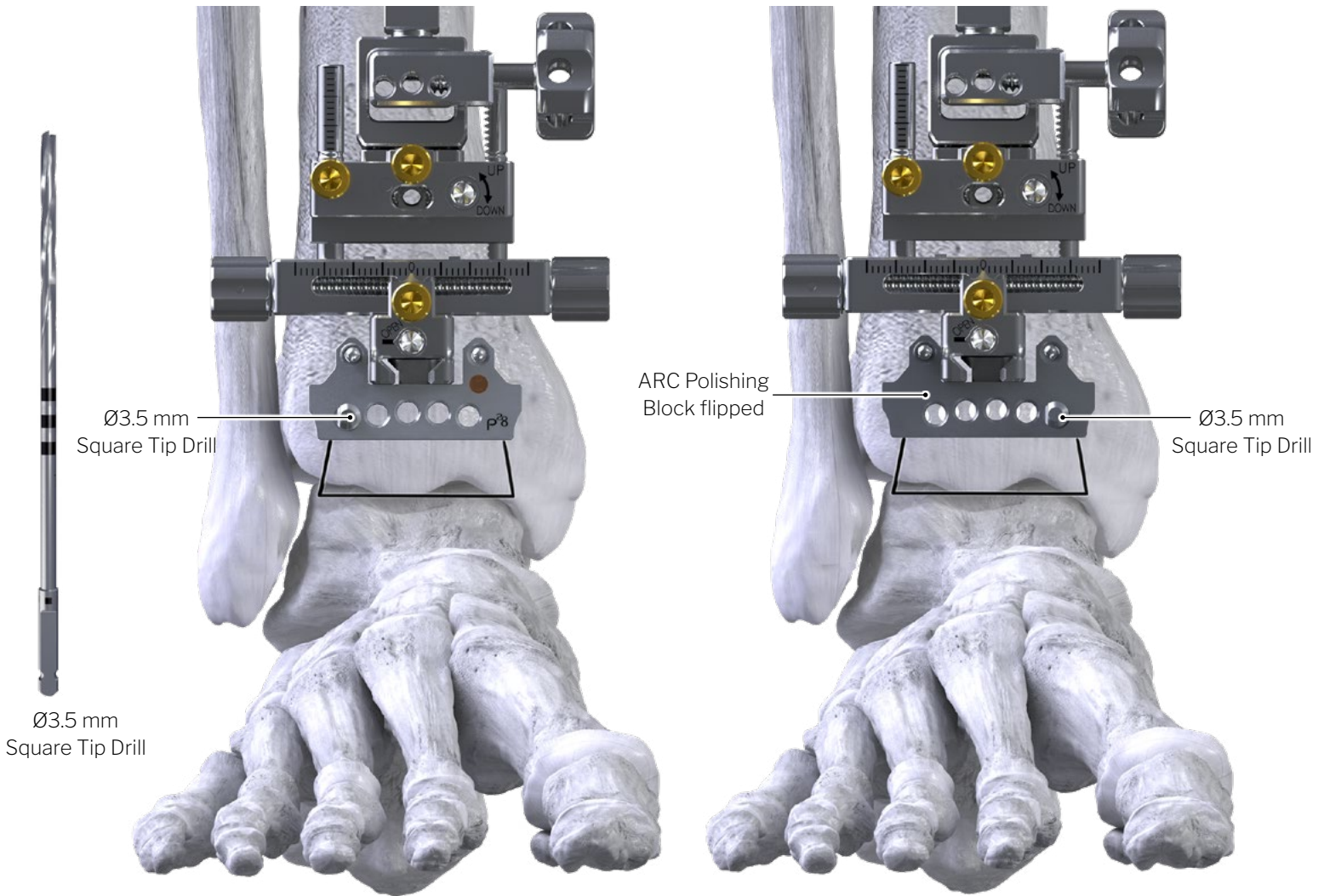


### TALAR BONE PREPARATION – INITIAL CHAMFER-CUT

- Utilize the 13 x 90 mm Oscillating Saw Blade to complete the initial dorsal talar cut, cutting the superior aspect of the talus through the cutting slot.
- Utilize the 8 x 50 mm Reciprocating Saw Blade or 8 x 90 mm Oscillating Blade to complete the M/L gutter bone resection cuts, starting distally, then walking the saw blade up proximally.
- Remove Threaded Shouldered Pins and Smooth Talar Pins, then the Resection Block by rotating the silver “OPEN” screw.



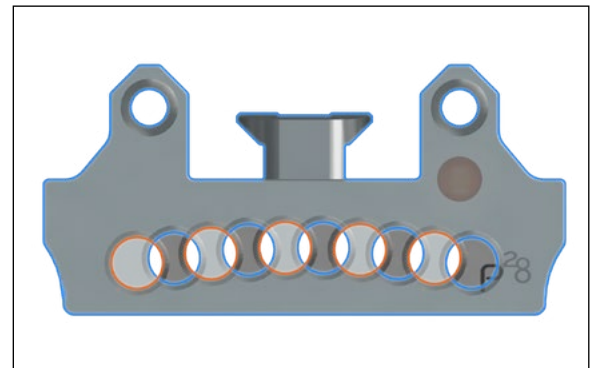
## TIBIOTALAR BONE PREPARATION:



### TIBIAL BONE PREPARATION – ARC POLISHING BLOCK

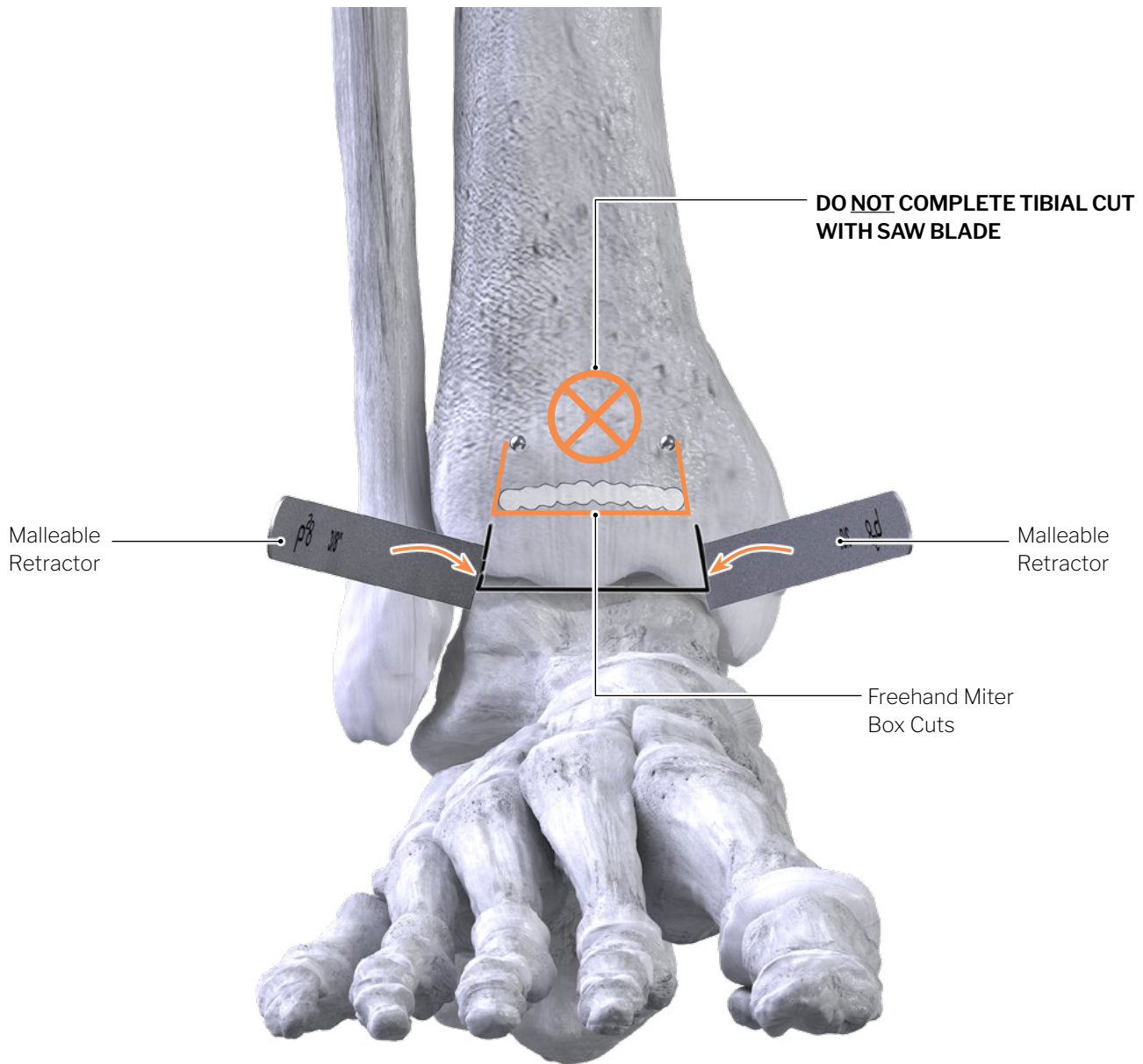
- Slide the proximal portion of the ARC Polishing Block over the two (2) M/L Ø2.4 mm guide pins and into the dovetail connection of the Alignment Construct and lock in place. The ARC Polishing Block will be orientated with the markings visible (Size, P28 Logo, etc, as seen in left image).
- Perform sequential drilling with the with Ø3.5 mm Square Tip Drill to resect the remaining bone.
- Flip the ARC Polishing Block around and place over the Ø2.4 mm guide pins (See image on right show ARC Polishing Block with no visible markings). Drill each hole in the block to complete the osteotomy.

ARC Polishing Block Flipped Overlay



Note Overlapping Drill Holes

## TIBIOTALAR BONE PREPARATION:



### BONE RESECTION – FREEHAND MITER BOX

- Complete M/L talar bone resection with provided saw blade options, utilizing the provided Malleable Retractors, to protect the M/L gutters.  
(Lateral Malleable Retractor: 152 mm x 9.5 mm, Medial Malleable Retractor: 152 mm x 12.7 mm (L x W))
- Remove the resected tibiotalar bone.

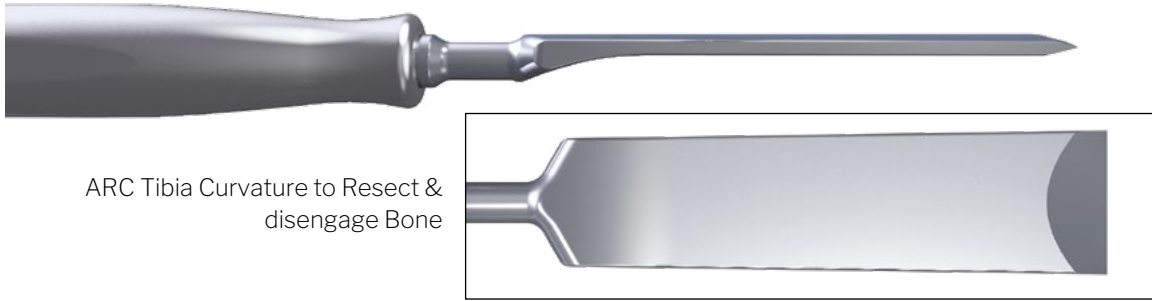


**NOTE:** During Freehand miter box cuts, take care to avoid contact of the saw with the medial malleolus, fibula and do not cut past existing cortical boundaries.

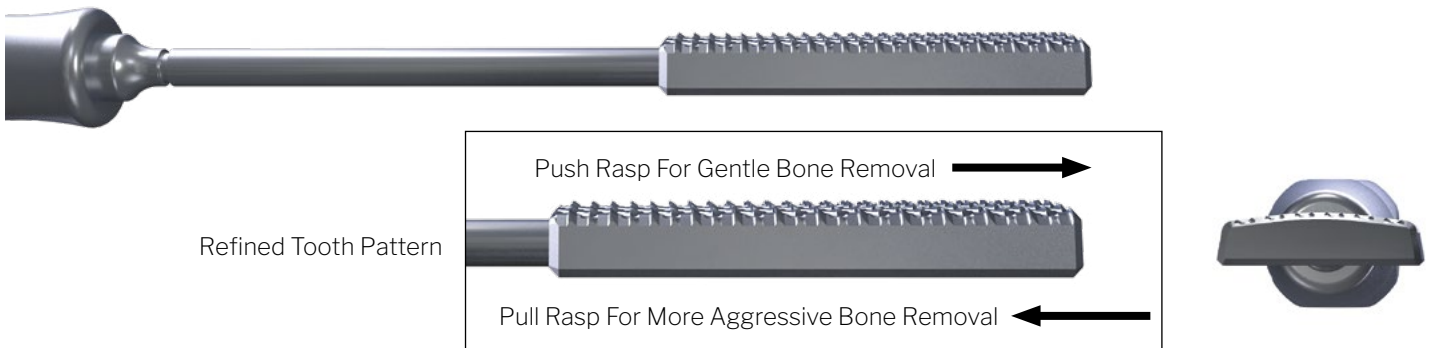
Use of osteotomes or rongeurs is recommended to remove bone fragments.

## TIBIOTALAR BONE PREPARATION - ARC TIBIA OSTEOTOME:

### ARC TIBIA OSTEOTOME



### ARC TIBIA SIZE SPECIFIC RASP



## BONE PREPARATION:

### ARC TIBIA OSTEOTOME – TIBIAL PLANER

- Utilizing the custom ARC Tibia Osteotome, align the leading edge against the ruffled cortical surface of the tibia ensuring the osteotome is parallel.
- Gently tap the anterior aspect of the osteotome to disengage the resected tibial bone, pulling distally using two hands while maintaining parallel alignment.
- Ensure bone is evenly disengaged from medial to lateral and anterior to posterior.



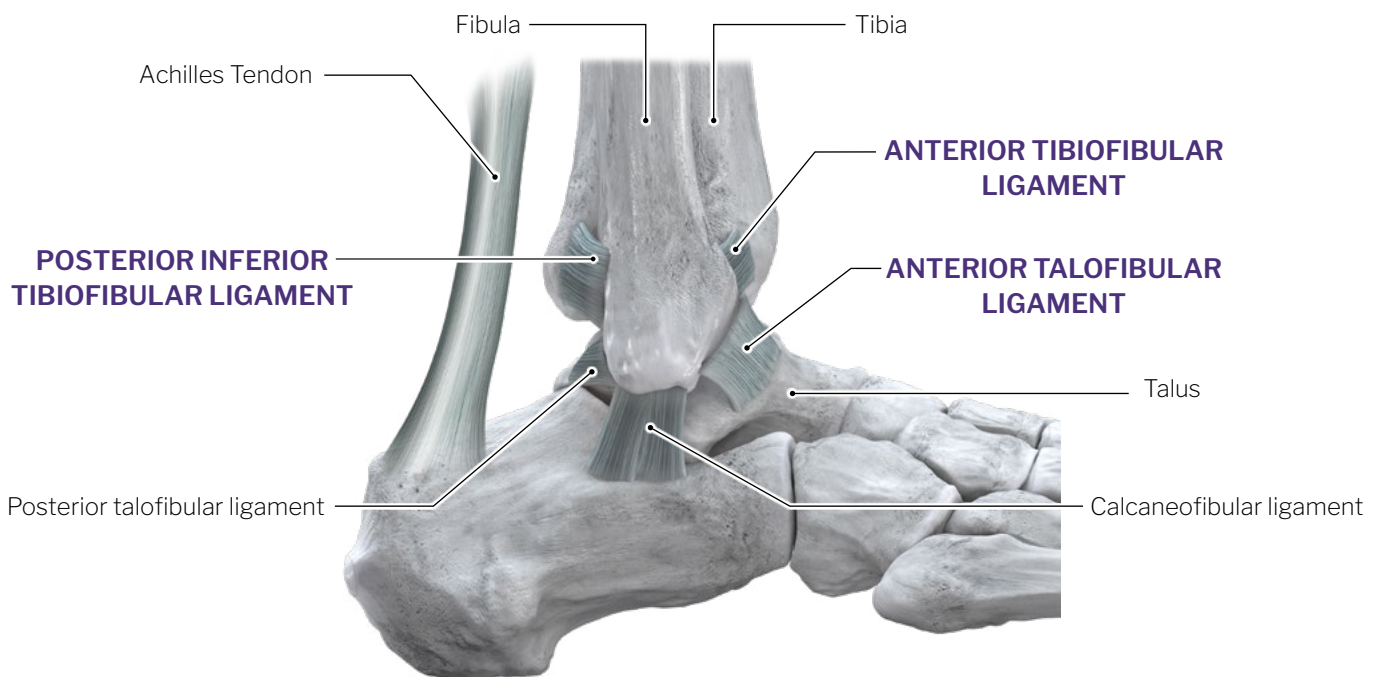
**CAUTION: DO NOT** lever the osteotome proximally against the intact tibia to avoid causing any unwanted defects to the anterior cortex.

## TIBIAL BONE FRAGMENT REMOVAL:



**NOTE:** Once the appropriate tibiofibular ligaments have been completely released, retrieve the curved curette and Kocher forcep. Insert the curved curette lengthwise between the tibia and talus such that the curved portion is parallel to the cut surface of the tibia and talus. Once the curved curette has passed beyond the bone, rotate the curved curette 90° pointing superiorly behind the tibia fragment.

Retrieve the Kocher forcep. Insert one side of the Kocher forcep between the tibia and talar cut surfaces and the second side into the tibia cut surface. Ensure that the posterior aspect of the bone is grasped by the Kocher forcep. Using the non-dominant hand, place counter pressure on the central aspect of the lower leg. Using the dominant hand, grip the Kocher forcep and curette. Pull the Kocher forcep and curette together directly anteriorly to retrieve the tibia bone fragment from the tibiotalar joint.



**TIP:** Utilize the Ø6 mm curved osteotome to release the Anterior Inferior Tibiofibular Ligament (AITFL), the Interosseous Ligament (IOL) and Posterior Inferior Tibiofibular Ligament (PITFL).



**TIP:** Curved osteotome should only be utilized laterally to release ligaments. Do not lever against bone to avoid damaging the shoulder of the tibial resection.

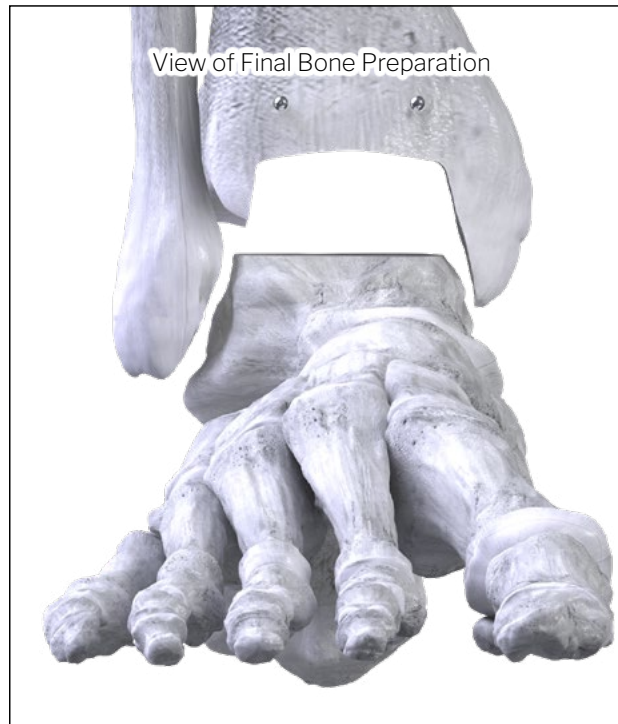
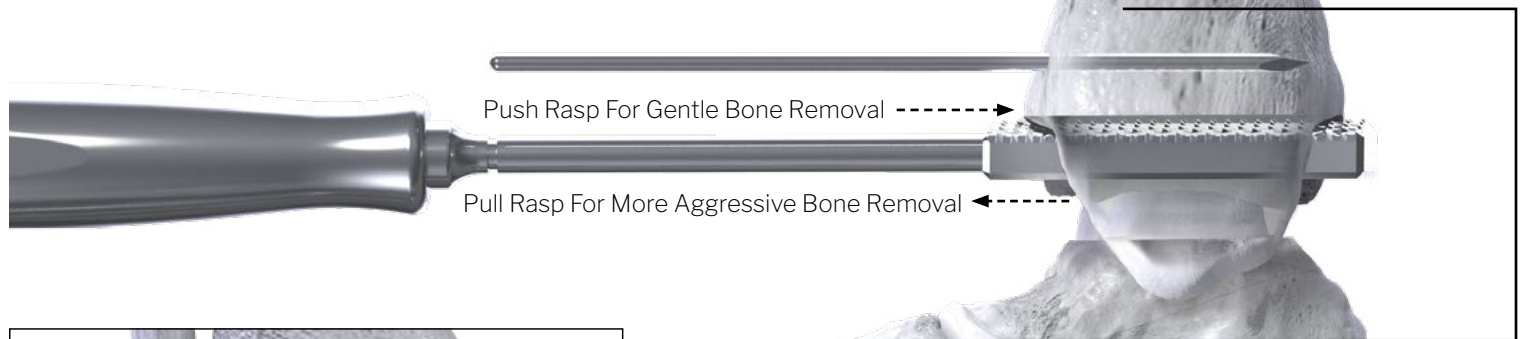
## TIBIOTALAR BONE PREPARATION:

### [OPTIONAL] - ARC TIBIA RASP

- In order to remove residual tibial ridges, starting posteriorly, then pulling, utilize the size matched custom ARC Tibia Rasp.
- Using two hands, gently push and pull to smooth surface, ensuring the rasp remains parallel.
- Ensure no ridges remain between the drill portions, and that the posterior surface has been fully drilled by conducting a manual sweep to check for any remaining bone ridges.



**NOTE:** For **SOFTER BONE**, a **PUSH ONLY** technique is recommended



**NOTE:** Medial-lateral surfaces may need to be refined by utilizing the Gold Rasp.

## TIBIOTALAR BONE PREPARATION - DIAGNOSTIC EVALUATION:

### GAP CHECKER

*(Steps Applicable for Flat-cut Option)*

- Utilize the corresponding cut-style Gap Checker (*i.e. ARC Tibia/Chamfer, Flat/Flat,*) to evaluate resected bone surface in a lateral fluoroscopic view, followed by an AP view.
- Insert into the resected joint, ensuring the Gap Checker reaches the posterior aspect of the tibia and that no irregularity exists between the bone and the device.
- If necessary, remove any residual bone fragments that may be contributing to irregularity. Re-insert the Gap Checker to confirm congruent surface between the tibia, Gap Checker and the talus.



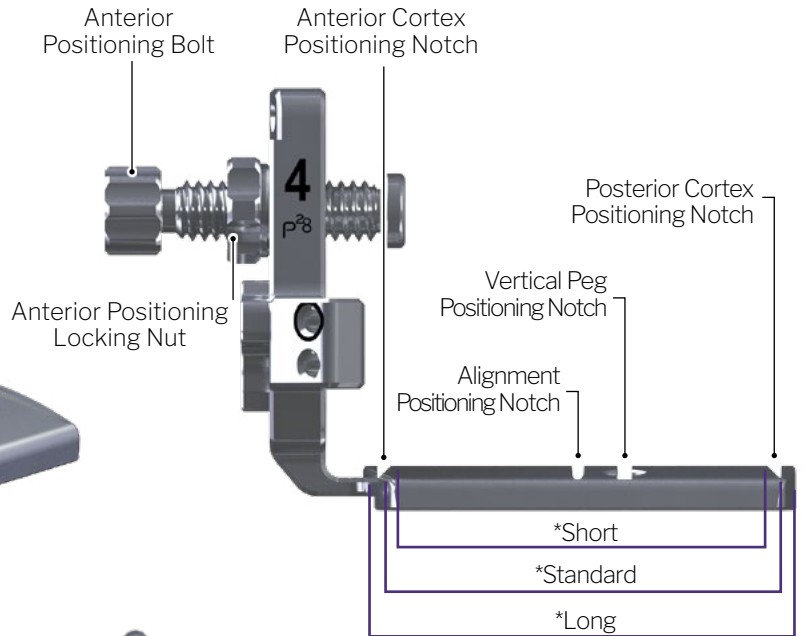
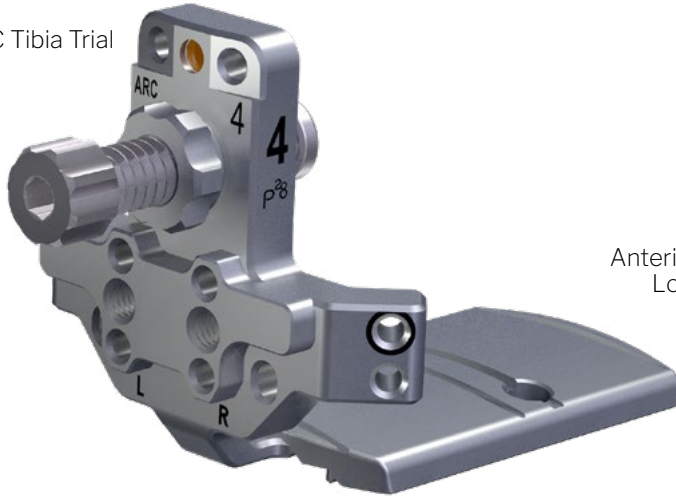
**NOTE:** Gap Checker should fit into resected joint space without force.



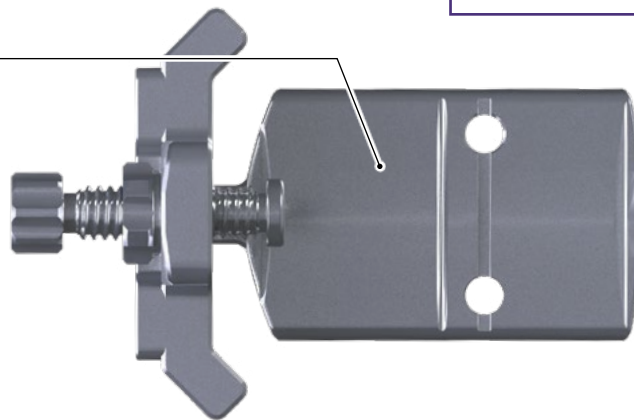
# BACK TABLE PREPARATION:

## TIBIA TRIAL POSITIONING INSTRUMENTATION

ARC Tibia Trial



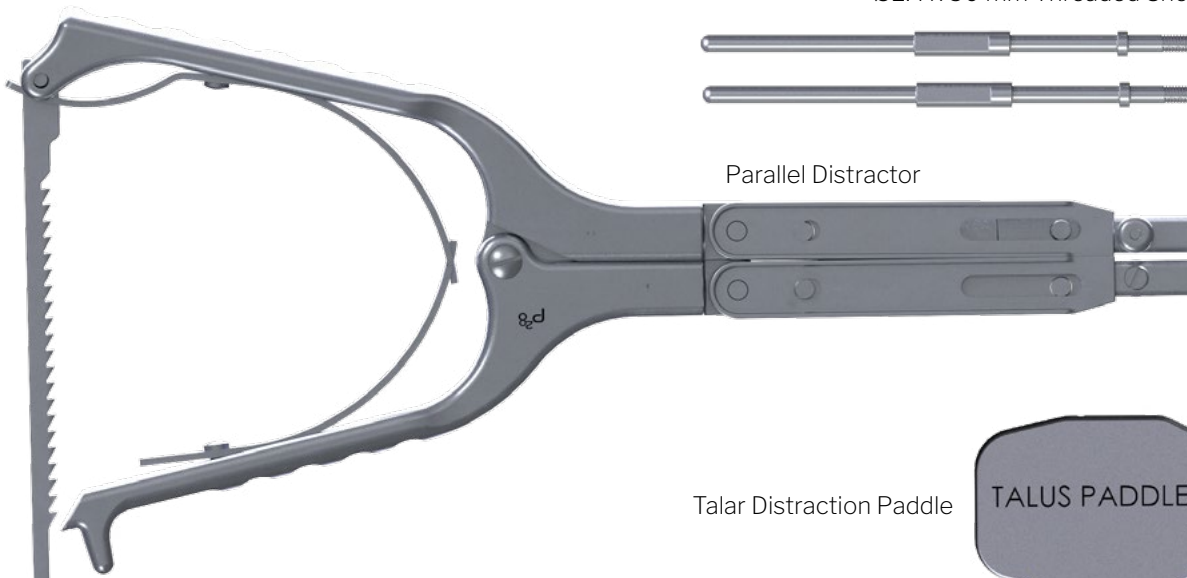
Tibial Trial Interior Channels



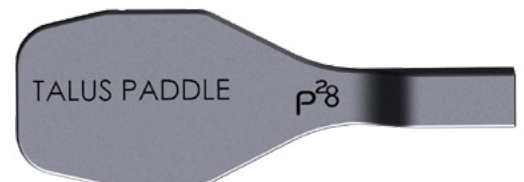
Ø2.4 x 50 mm Threaded Shouldered Pins



Parallel Distractor



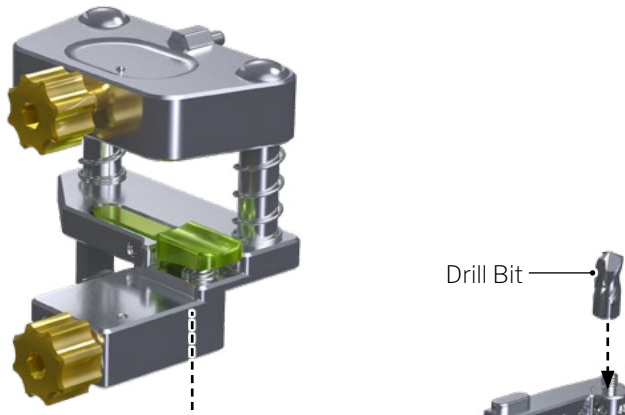
Talar Distraction Paddle



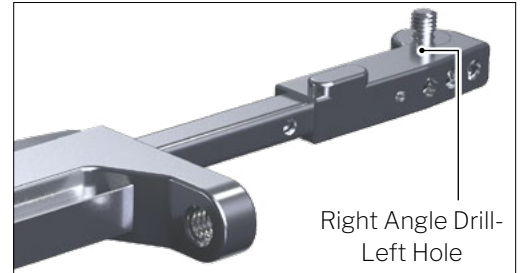
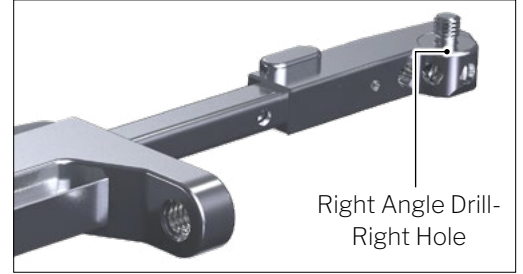
Instrumentation not to scale

## TIBIAL PEG - BACK TABLE PREPARATION:

### LINEAR GUIDE



### RIGHT ANGLE DRILL

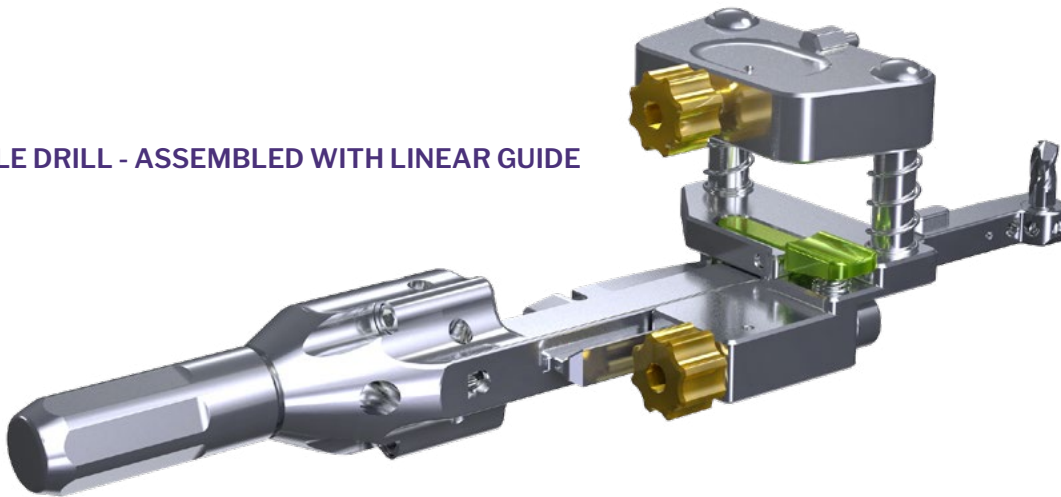


Remove drill bit with provided Silicone Cap  
If unable to remove, use provided wrench to  
untighten drill bit



**NOTE:** By hand, tighten drill bit onto the Right Angle Drill.  
**DO NOT TIGHTEN DRILL BIT USING WRENCH  
OR OTHER INSTRUMENT.**

### RIGHT ANGLE DRILL - ASSEMBLED WITH LINEAR GUIDE



## TIBIA PEG PREPARATION - VIPER PUNCH

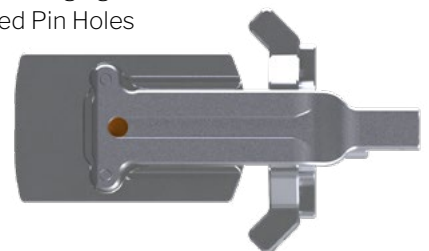
Size Specific Viper Tip  
Peg Punch Paddle



Vertical Viper Tip Peg  
Punch Holes



Off-set Converging  
Shouldered Pin Holes



*Instrumentation not to scale*

Inferior View of Viper Punch in Tibial Trial

## PLACEMENT AND SIZING:

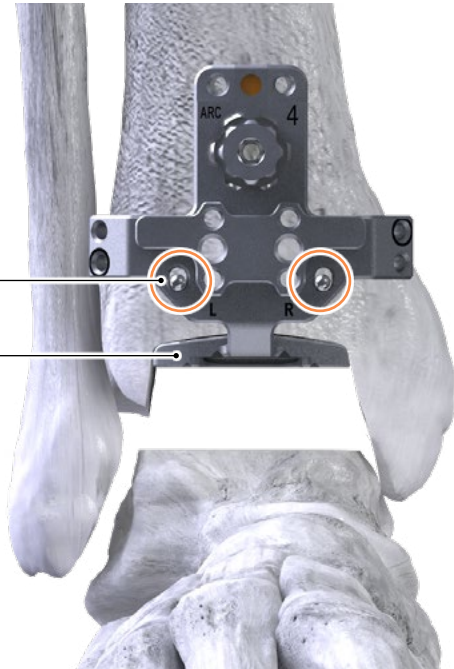
### TIBIAL TRIAL POSITIONING

#### (Steps Applicable for Flat-cut Option)

- Utilizing the size matched ARC Tibia Trial, by hand, slide over the two smooth Steinmann Pins already in place.

Ø2.4 mm Smooth Steinmann Pins

ARC Tibia™ Trial



### SEATING TIBIAL TRIAL – PARALLEL DISTRACTOR

#### (Steps Applicable for Flat-cut Option)

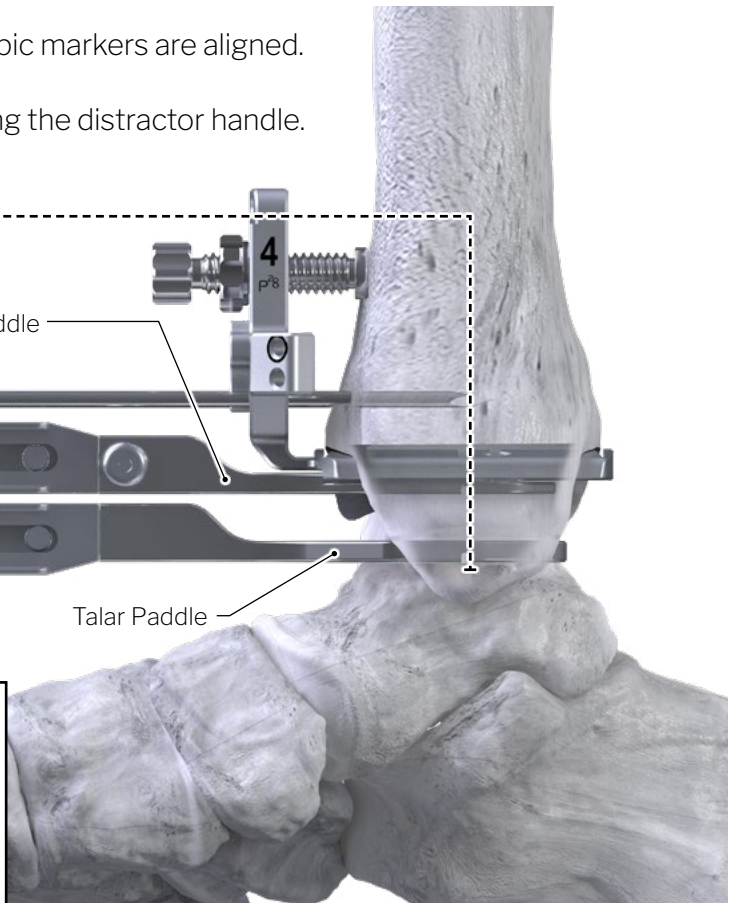
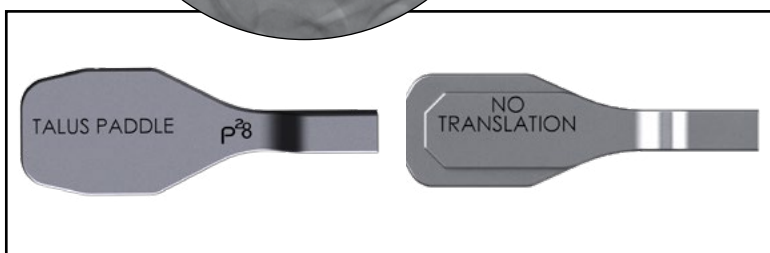
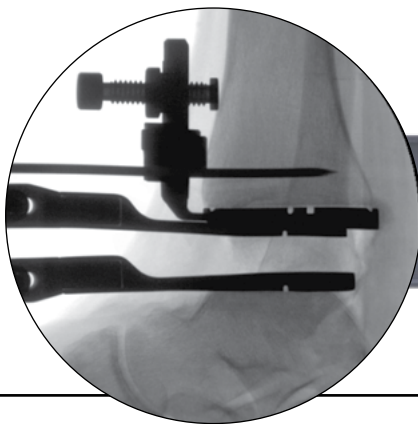
- Utilizing the Parallel Distractor, attach the constrained modular Tibial Trial Paddle and Talar Distraction Paddle.
- Match the connection of the Parallel Distractor's paddle to the inferior receiving connection of the Tibia Trial.
- To determine appropriate positioning, ensure fluoroscopic markers are aligned.
- Under a lateral view, distract the joint by gently squeezing the distractor handle.

Ensure fluoroscopic markers are aligned

Tibial Trial Paddle

Parallel Distractor

Talar Paddle

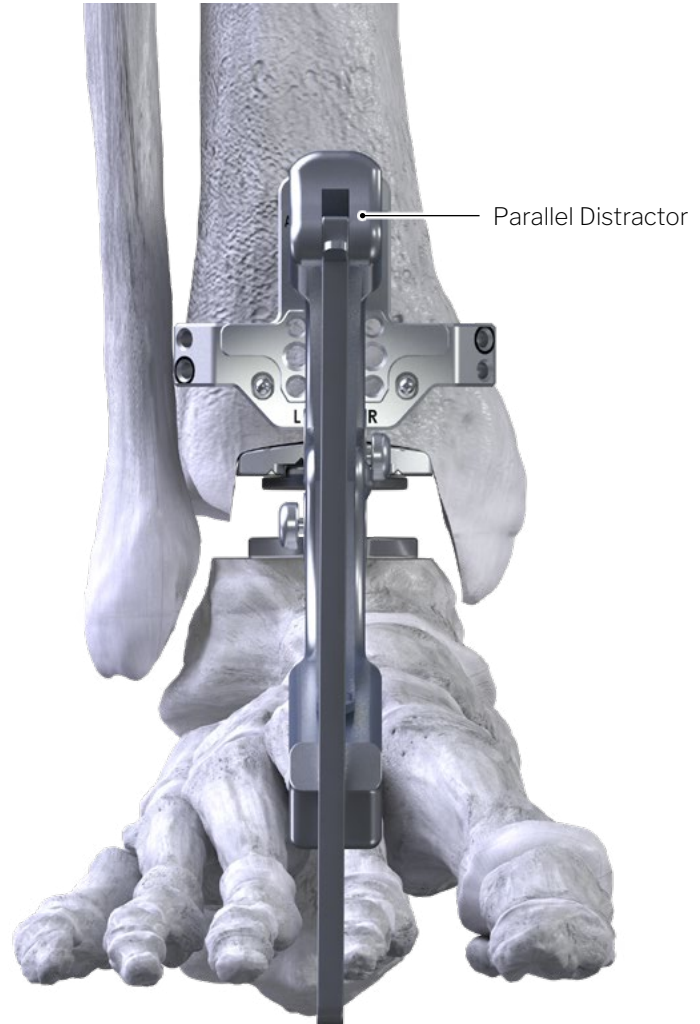


## PLACEMENT AND SIZING:



### POSITIONING GUIDANCE

If the center of the posterior notch is located just beyond the posterior tibia cortex, a standard tibia size should be used. If the notch is located within the tibia, a long tibia size should be used.



### TIBIAL TRIAL – SIZING EVALUATION

#### *(Steps Applicable for Flat-cut Option)*

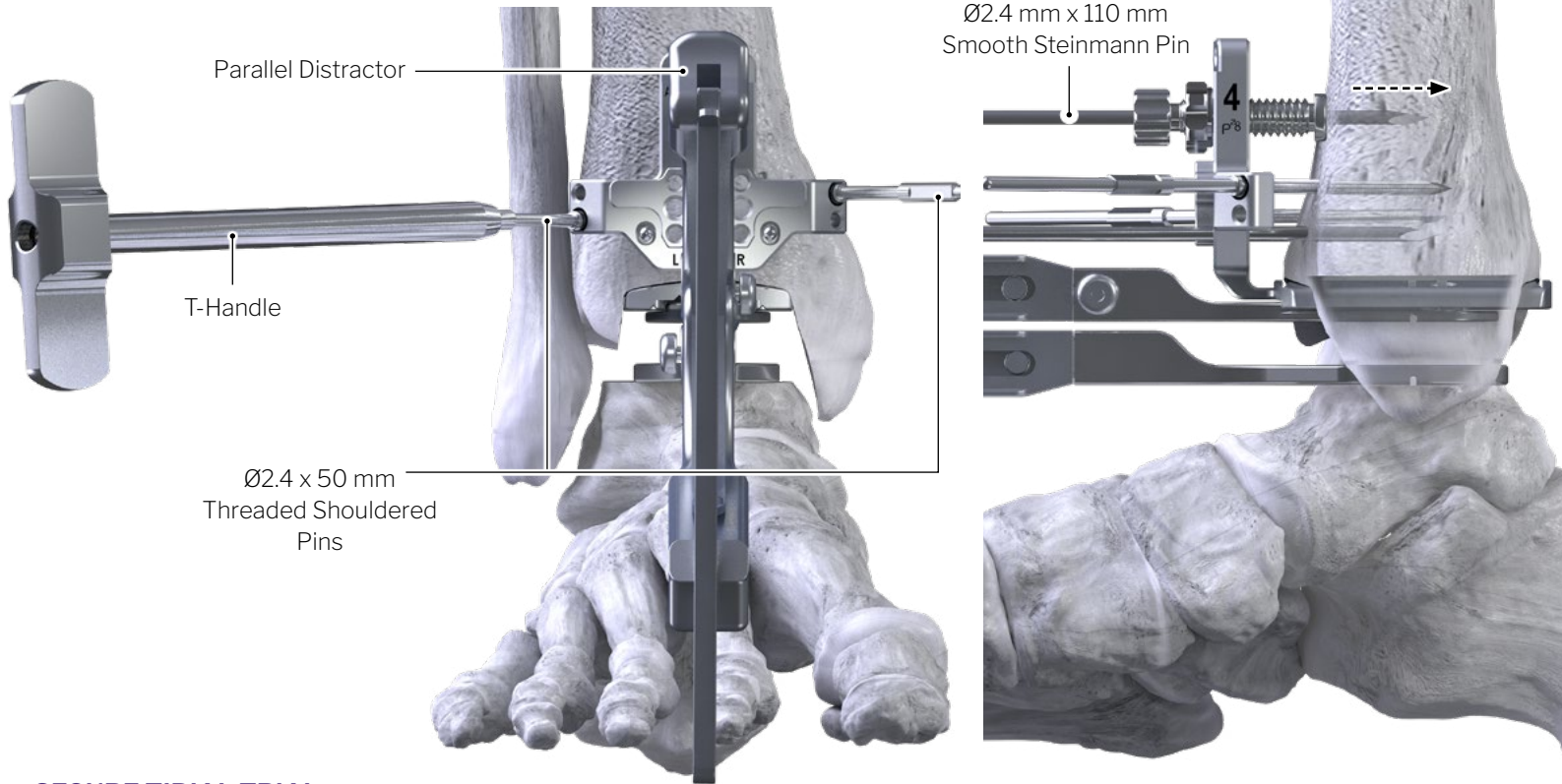
- Under a lateral fluoroscopic view, determine tibia implant length
- With the Parallel Distractor loosely retracted in position, fine tune the anterior position of the tibial trial by adjusting the AP positioning bolt. Do not overtighten to avoid flexing the trial. Ensure it is 90 degrees.
- Once the appropriate positioning has been achieved, secure the Tibial Trial's position by advancing the anterior friction locking nut until flush against the trial.



**NOTE:** It is recommended to use a long tibial size if uncertain whether the posterior tibial cortex is located within the notch of the trial or not. Full anterior/posterior coverage with minimal overhang is preferred.

## PLACEMENT AND SIZING:

**NOTE:** Avoid over tightening prior to placing second Ø2.4 x 50 mm Pin.



### SECURE TIBIAL TRIAL

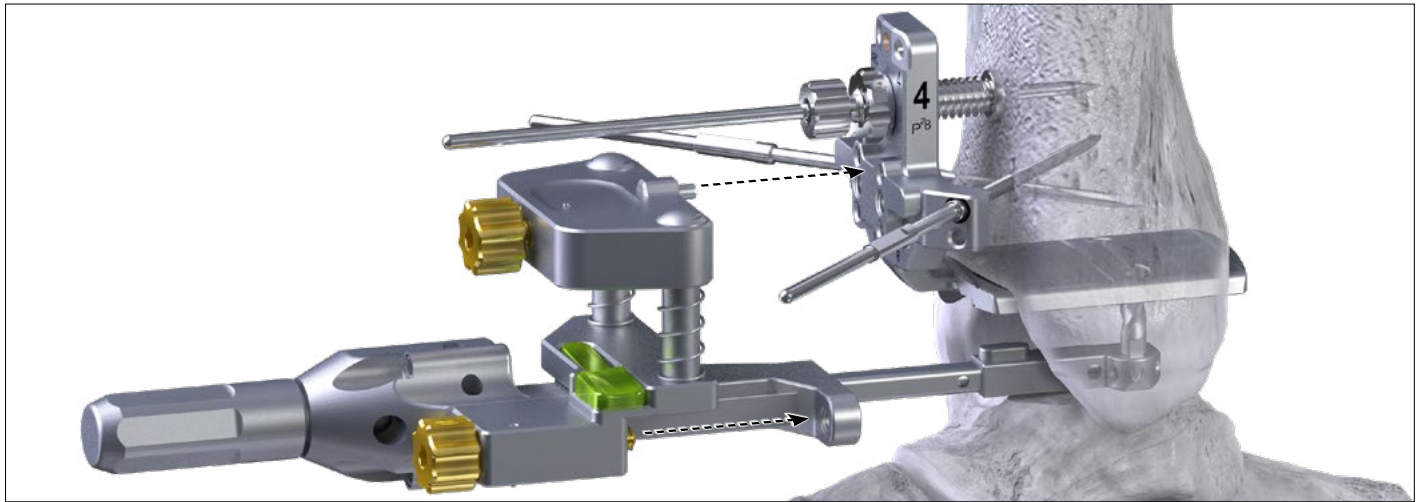
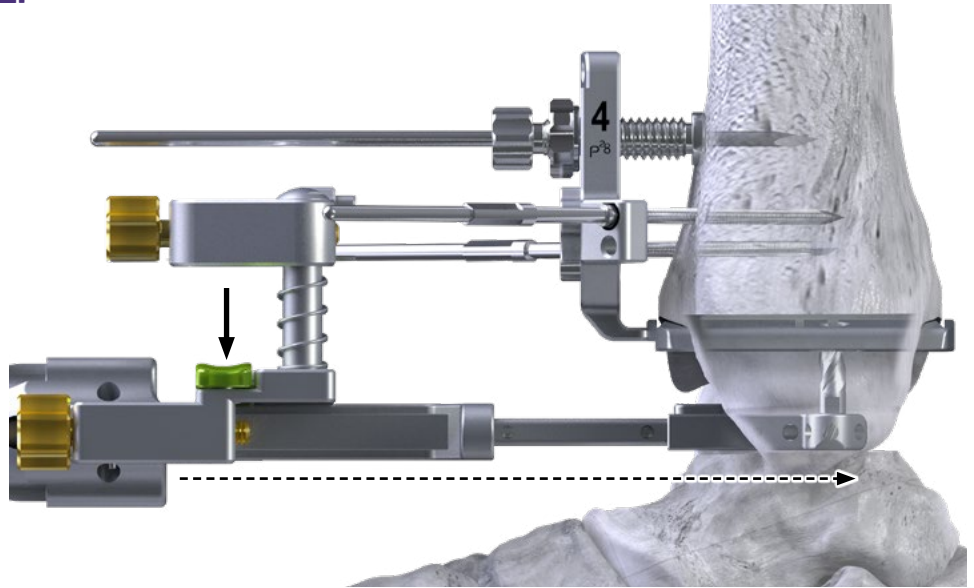
*(Steps Applicable for Flat-cut Option)*

- By hand, place two (2) 2.4 mm x 50 mm Threaded Shoulder Pins into a set of the offset converging pin holes located on the medial and lateral aspect of the Tibial Trial.
- Ensure that either both laser marked pin holes are used together, or non-laser marked pin holes are used together.
- Connect to power and advance stopping before the shoulder engages the trial. (DO NOT FULLY SEAT UNDER POWER)
- By hand, secure the pin against trial using the provided T-Handle, utilizing caution to avoid over tightening.
- When prepping with the Right Angle Drill, for additional fixation, place one (1) 2.4 mm x 110 mm Smooth Steinmann pin through the AP positioning bolt or into one of the most proximal holes of the Tibial Trial.
- Remove the Distractor, re-check Tibial Trial position under lateral fluoroscopy to confirm position and fit.
- Remove the two parallel Pins.

**NOTE:** The APEX 3D Instrumentation System is equipped with 2 Drills, a Left and a Right. Both the Left and Right Drills will be used in each surgery: The Left Drill drills the left peg Hole and the Right Drill drills the Right Peg Hole. Left and Right of the Drill is from the perspective of the surgeon.

**OPTION A - RIGHT ANGLE DRILL:****LEFT PEG PREPARATION***(Steps Applicable for Flat-Cut Option)*

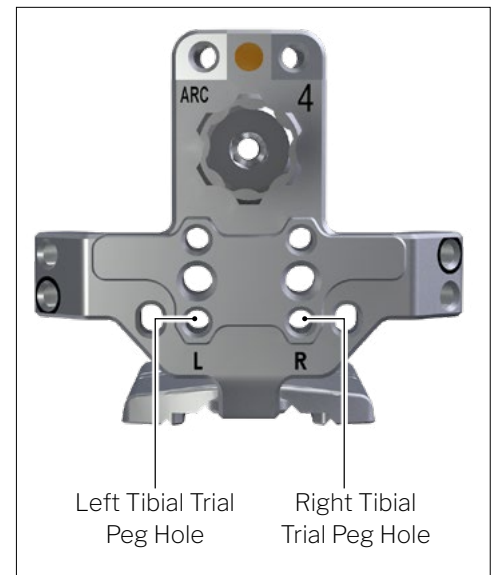
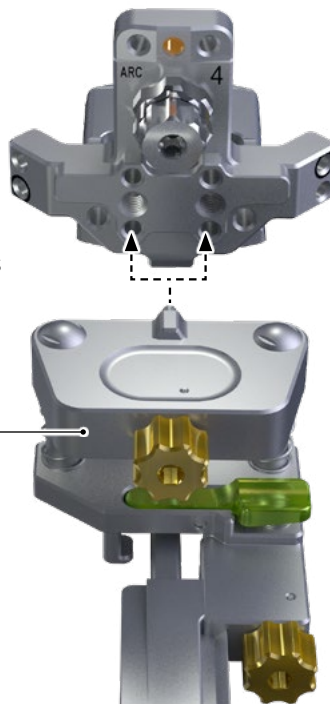
- Place the left Drill into the resected space.
- Slide the drill forward until the drill bit aligns with the Tibial Trial Peg Hole.
- Depress the green button and slide the Linear Guide forward on the drill so that the posts on the Linear Guide engage the corresponding docking holes on the Tibial Trial.



**NOTE:** When drilling the left peg hole, the linear guide will dock to the left holes marked with an L.

When drilling the right peg hole, the Linear Guide will dock to the right holes marked with an R.

Linear Guide



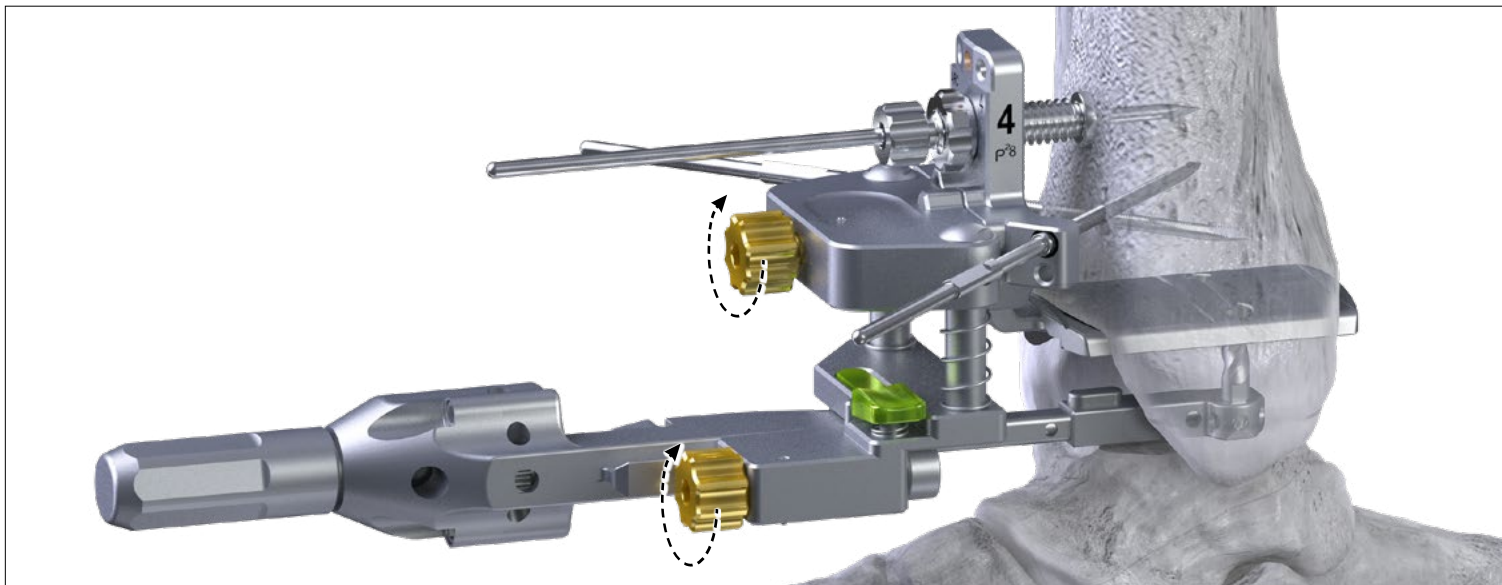
## OPTION A - RIGHT ANGLE DRILL:



**NOTE:** On tight joints, the drill may have to be rotated into place by inserting the drill sideways and twisting the drill into the hole in the Tibia Trial. Once seated, continue to the next step.



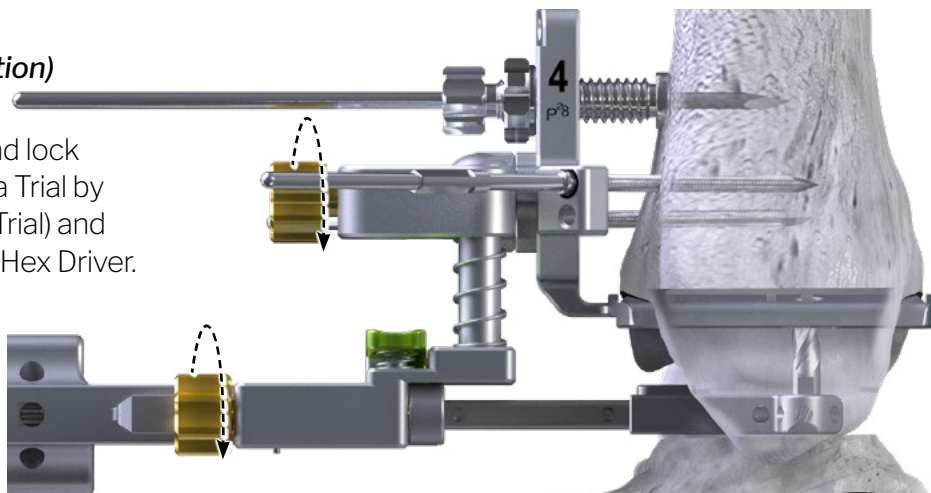
**NOTE:** The drill is intended to be placed into the surgical site with the Linear Guide in the retracted position. The Drill can be inserted without the attached Linear Guide, if desired by the surgeon; however, the Linear Guide will have to be attached after Drill insertion.



## LEFT PEG PREPARATION

*(Steps Applicable for Flat-Cut Option)*

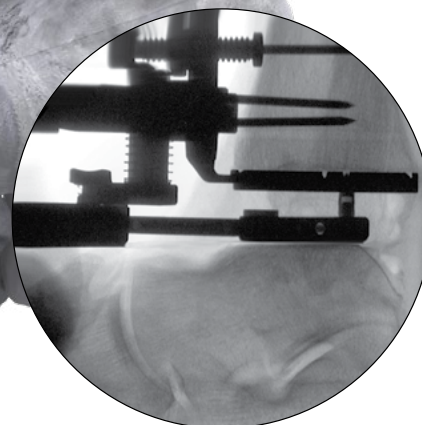
- Compress the Linear Guide and lock the Linear Guide onto the Tibia Trial by tightening the proximal (Tibia Trial) and distal (Drill) gold screws with a Hex Driver.



- Confirm that the Linear Guide and Tibia Trial are flush

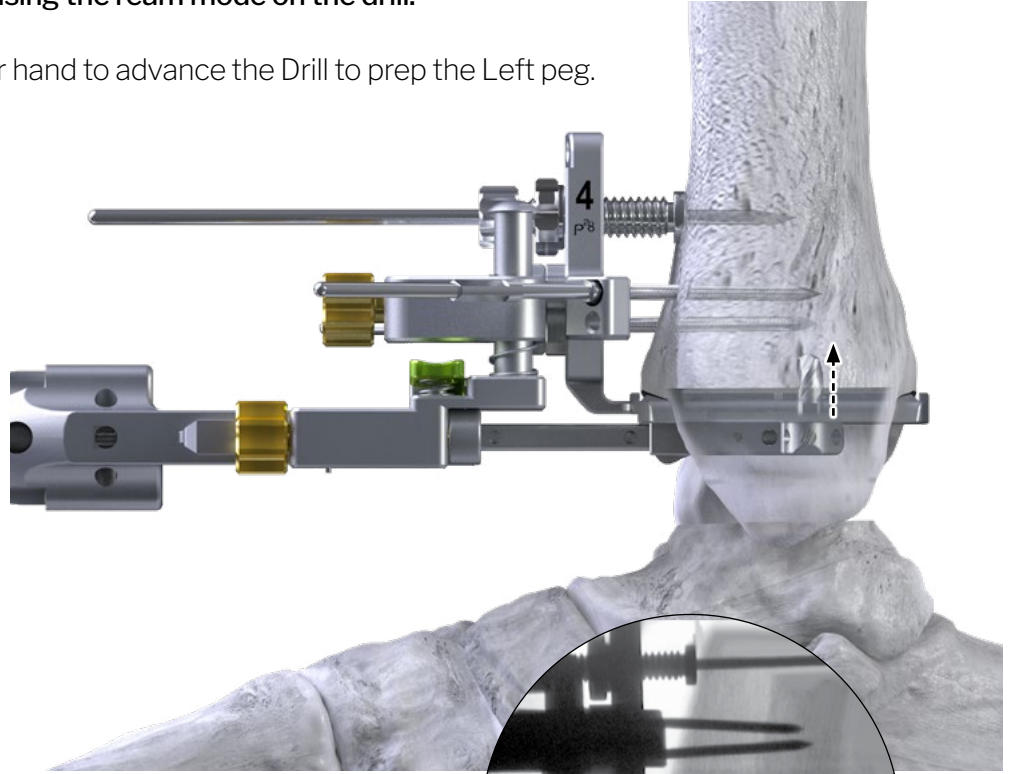


**NOTE:** Prior to drilling, confirm under lateral fluoro that the Drill bit is properly placed in the Tibia Trial. Compress the Linear Guide as needed to see the drill bit properly placed in the Tibia Trial hole.



**OPTION A - RIGHT ANGLE DRILL:****DRILLING THE LEFT PEG HOLE***(Steps Applicable for Flat-Cut Option)*

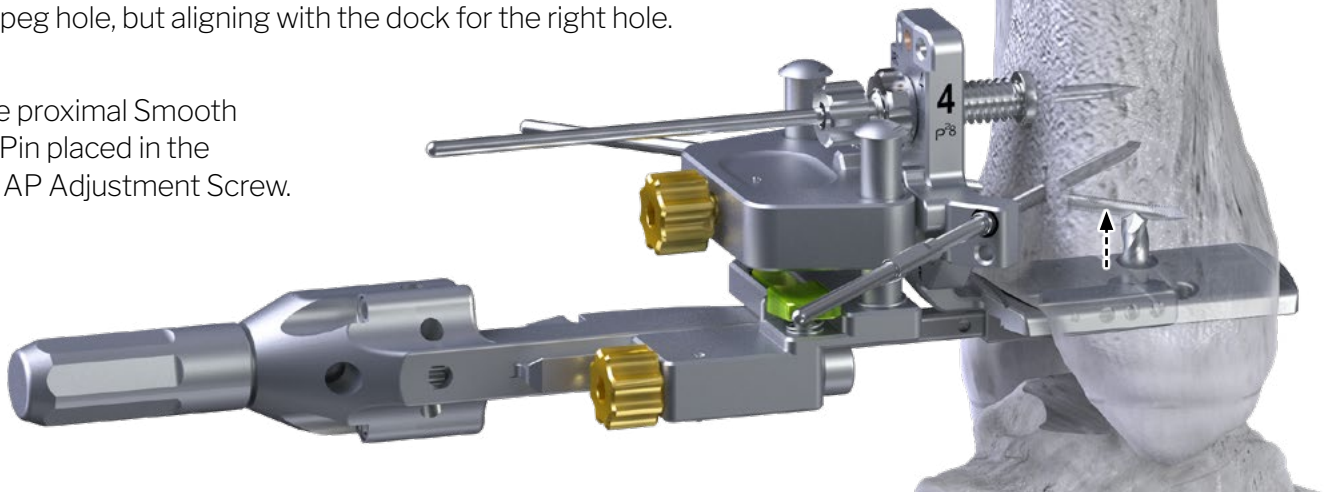
- Connect the provided hex socket driver to power and connect to the end of the Drill. Start Power prior to engaging bone. **Drilling should be completed using the ream mode on the drill.**
- Compress the Linear Guide with your hand to advance the Drill to prep the Left peg.
- Advance the drill under power until the drill is fully seated and stop power. Confirm the drill is fully seated under x-ray or by confirming the drill is bottomed out on the flat surface of the Tibia Trial.
- Release the Linear Guide while power is stopped.
- Unscrew the two screws on the Linear Guide using a Hex Driver. Slide the Linear Guide into the retracted position.
- Remove the left Drill.



**NOTE:** Avoid using the power in reverse as this can potentially unlock the drill bit from the drill.

**RIGHT PEG PREPARATION***(Steps Applicable for Flat-Cut Option)*

- Drill the right peg hole following the above steps as used to the drill the left peg hole, but aligning with the dock for the right hole.
- Remove the proximal Smooth Steinmann Pin placed in the cannulated AP Adjustment Screw.



## OPTIONAL - SINGLE PEG PUNCH:

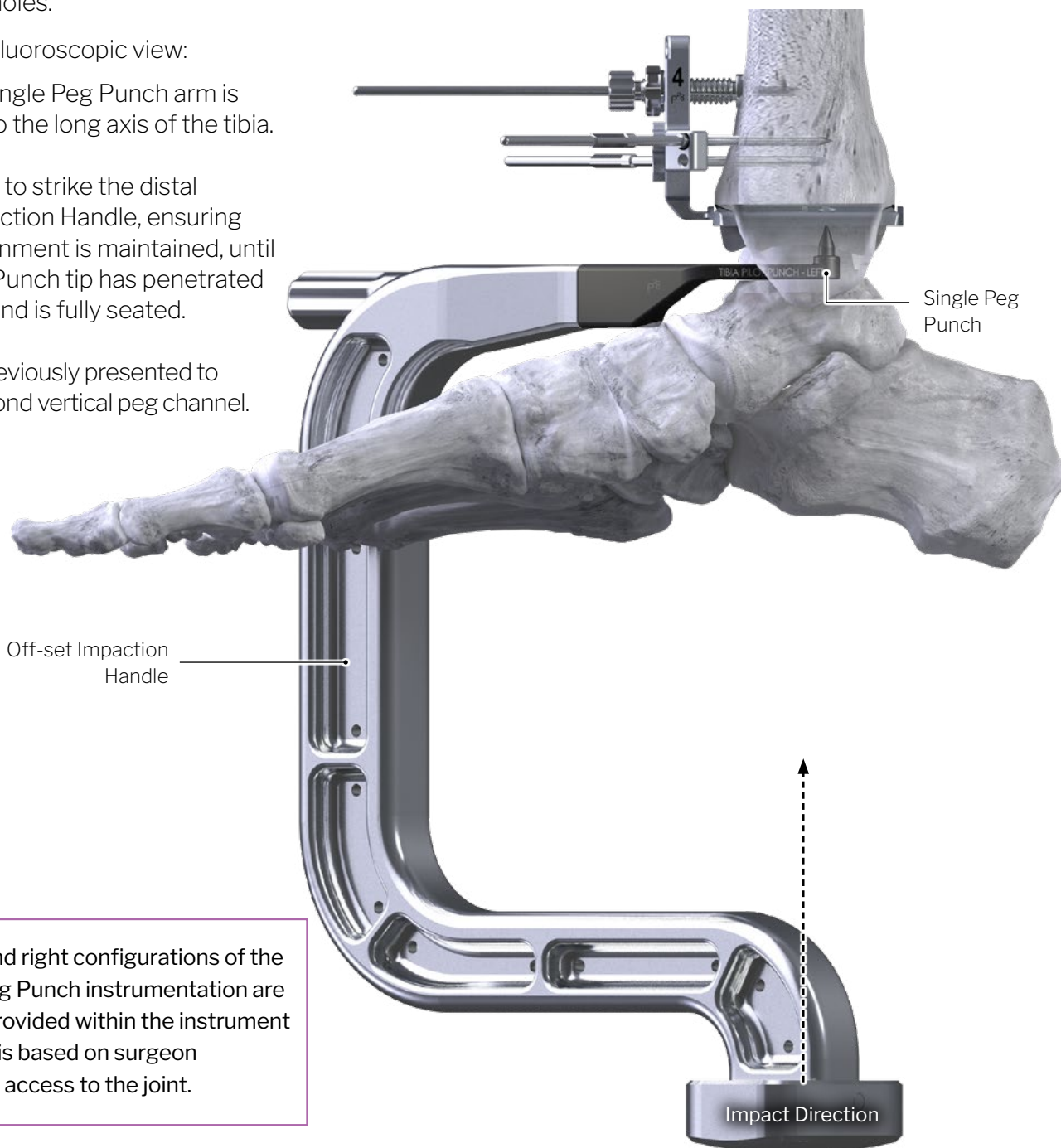
### FOR SINGLE PEG PUNCH

*(Steps Applicable for Flat-Cut Option)*



**NOTE:** The Tibial Single Peg Punch was designed to create pilot channels prior to final Vertical Peg Preparation. If the instrument is utilized, subsequent Vertical Peg Preparation steps, reflected in Section 5B, are still required.

- Connect the Tibial Single Peg Punch to the Off-set Impaction Handle.
- Insert the Single Peg Punch by sliding the vertical tip posteriorly until it aligns with either the medial or lateral Tibial Trial peg holes.
- Under a lateral fluoroscopic view:
  - Confirm the Single Peg Punch arm is perpendicular to the long axis of the tibia.
  - Utilize a mallet to strike the distal end of the Impaction Handle, ensuring appropriate alignment is maintained, until the Single Peg Punch tip has penetrated the tibial bone and is fully seated.
- Repeat steps previously presented to prepare the second vertical peg channel.



**NOTE:** Left and right configurations of the Tibial Single Peg Punch instrumentation are available and provided within the instrument kits. Utilization is based on surgeon preference and access to the joint.

## OPTION B - VIPER PUNCH:

### PARALLEL DISTRACTOR

*(Steps Applicable for Flat-cut Option)*

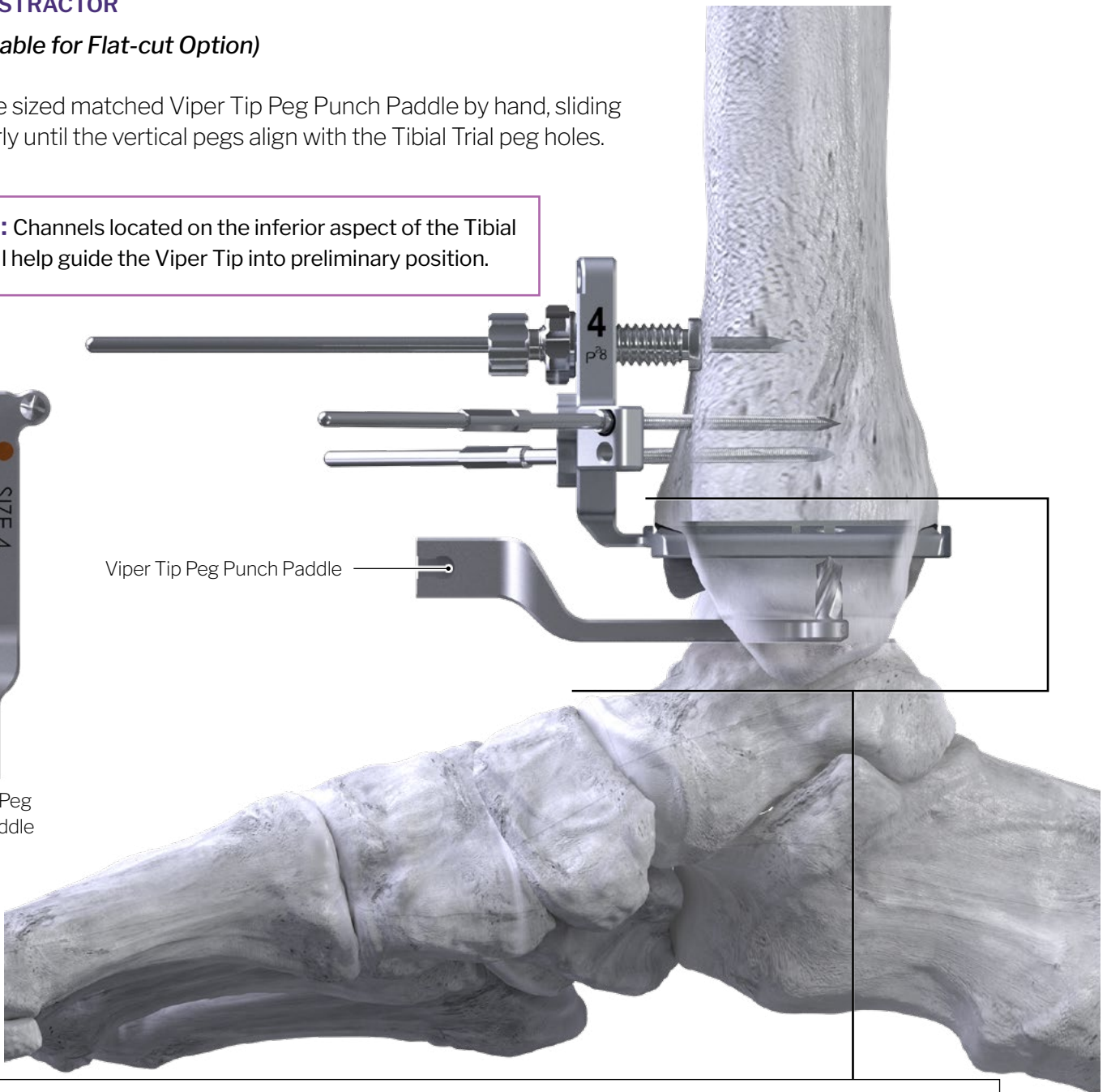
- Insert the sized matched Viper Tip Peg Punch Paddle by hand, sliding posteriorly until the vertical pegs align with the Tibial Trial peg holes.



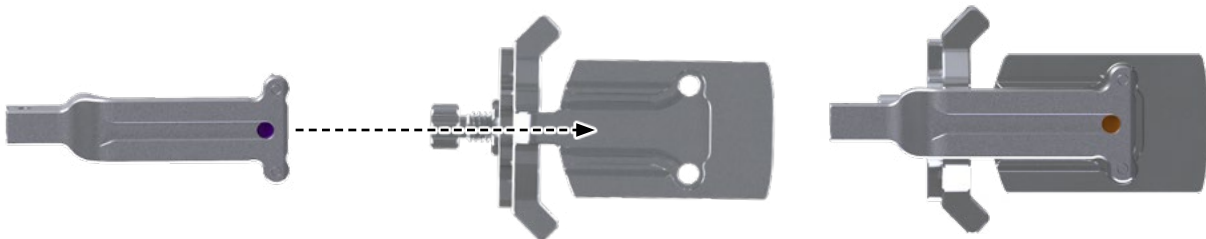
**NOTE:** Channels located on the inferior aspect of the Tibial Trial will help guide the Viper Tip into preliminary position.



Viper Tip Peg  
Punch Paddle



### INFERIOR VIEW



Projection of Viper Tip/Tibial Trial Connection

*Instrumentation not to scale*

## OPTION B - VIPER PUNCH:

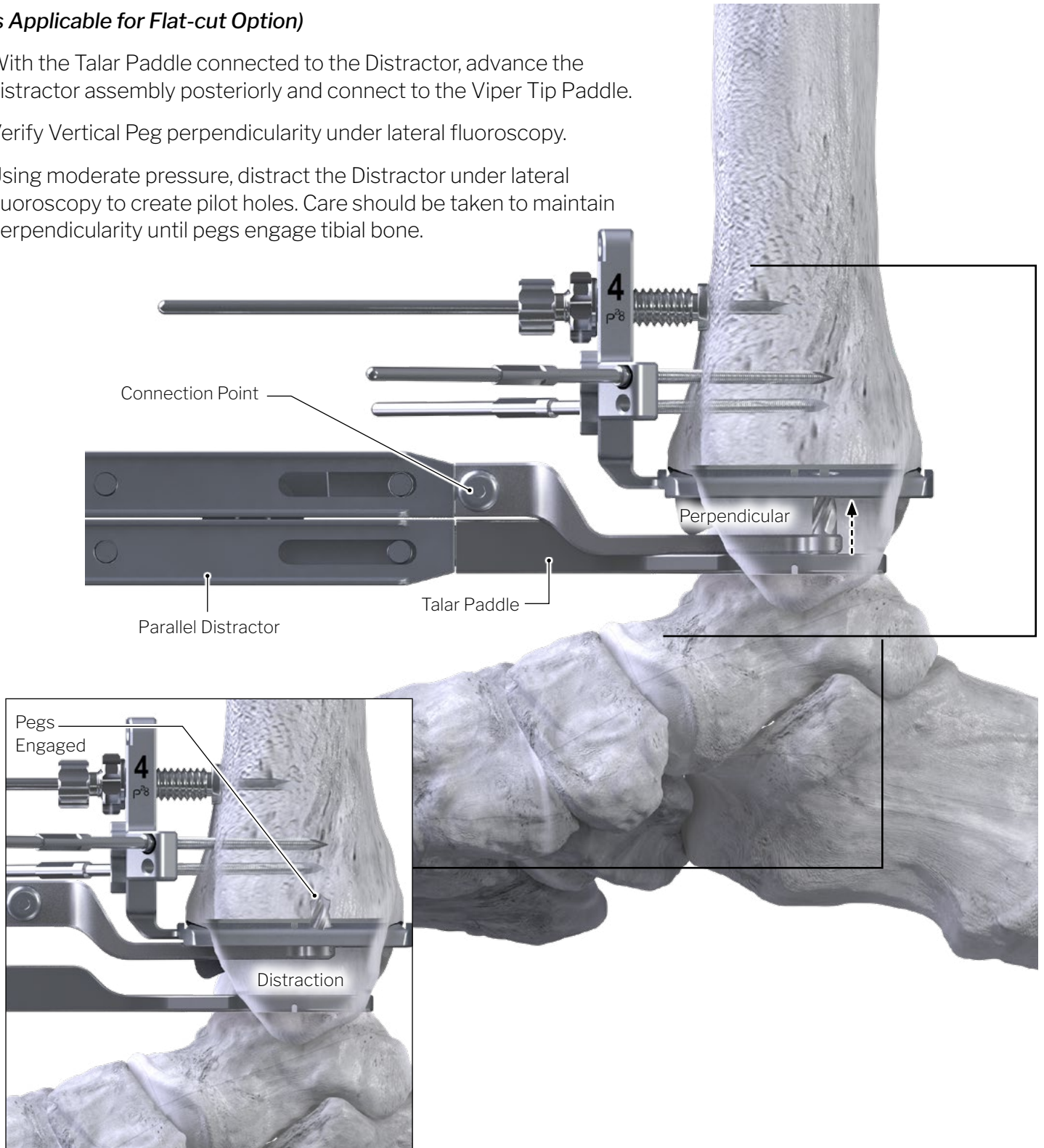


**NOTE:** Retrieve the Tibia Impaction Tool and attach the (right or left) Tibia Impaction Dimpled Tool and have this modular construct available.

### PARALLEL DISTRACTOR

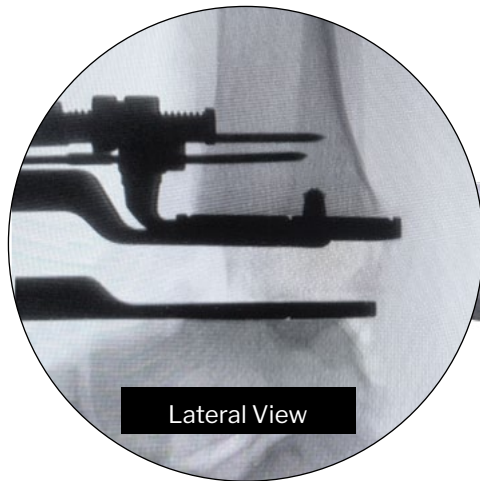
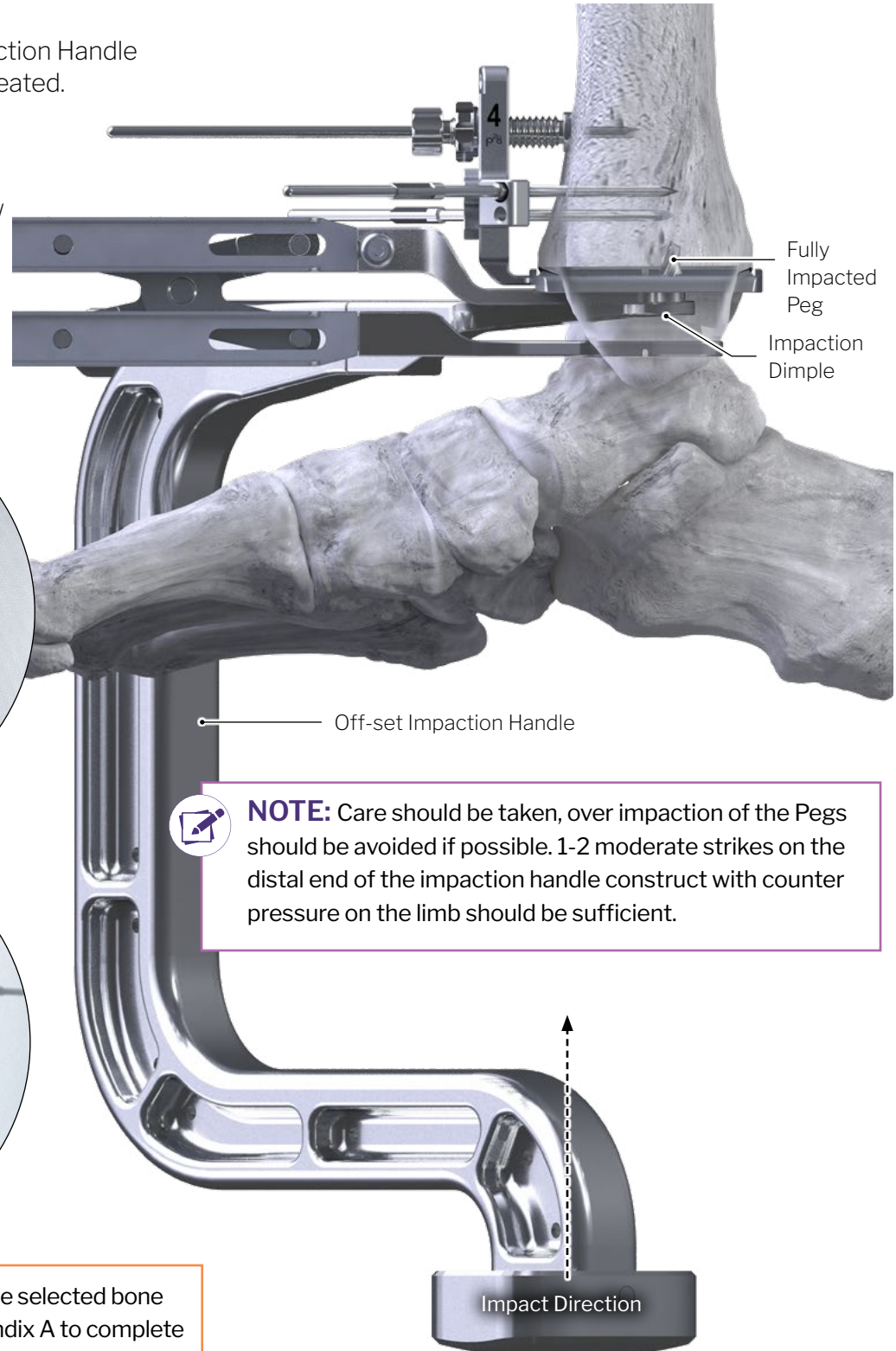
*(Steps Applicable for Flat-cut Option)*

- With the Talar Paddle connected to the Distractor, advance the distractor assembly posteriorly and connect to the Viper Tip Paddle.
- Verify Vertical Peg perpendicularity under lateral fluoroscopy.
- Using moderate pressure, distract the Distractor under lateral fluoroscopy to create pilot holes. Care should be taken to maintain perpendicularity until pegs engage tibial bone.

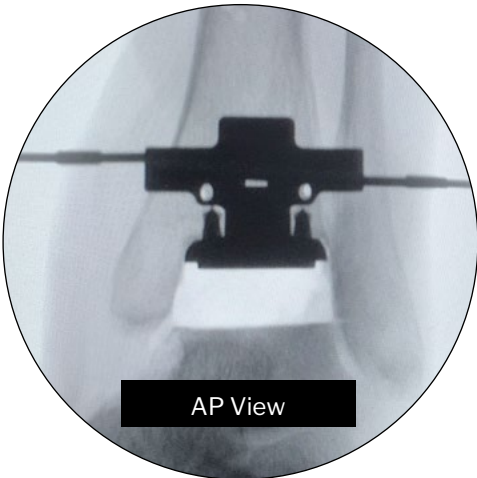


**OPTION B - VIPER PUNCH:****VERTICAL TIBIAL PEG PUNCH – IMPACTION TOOL****(Steps Applicable for Flat-cut Option)**

- Utilizing the assembled Tibia Impaction Tool construct, still under distraction, insert the Impaction Dimple underneath the Viper Tip Peg Punch Paddle.
- Impact the distal end of the Impaction Handle until the Viper Tip Pegs are fully seated.
- Remove the proximal Smooth Steinmann Pin placed in the cannulated AP Adjustment Screw



Lateral View



AP View



**ATTENTION:** If Flat-cut was the selected bone preparation option, jump to Appendix A to complete Talar Trial Placement and Bone Preparation.

## [SUPPLEMENTAL RE-PUNCH] - OFFSET PEG PUNCH:

### VERTICAL TIBIAL PEG PREPARATION

#### (Steps Applicable for Flat-cut Option)

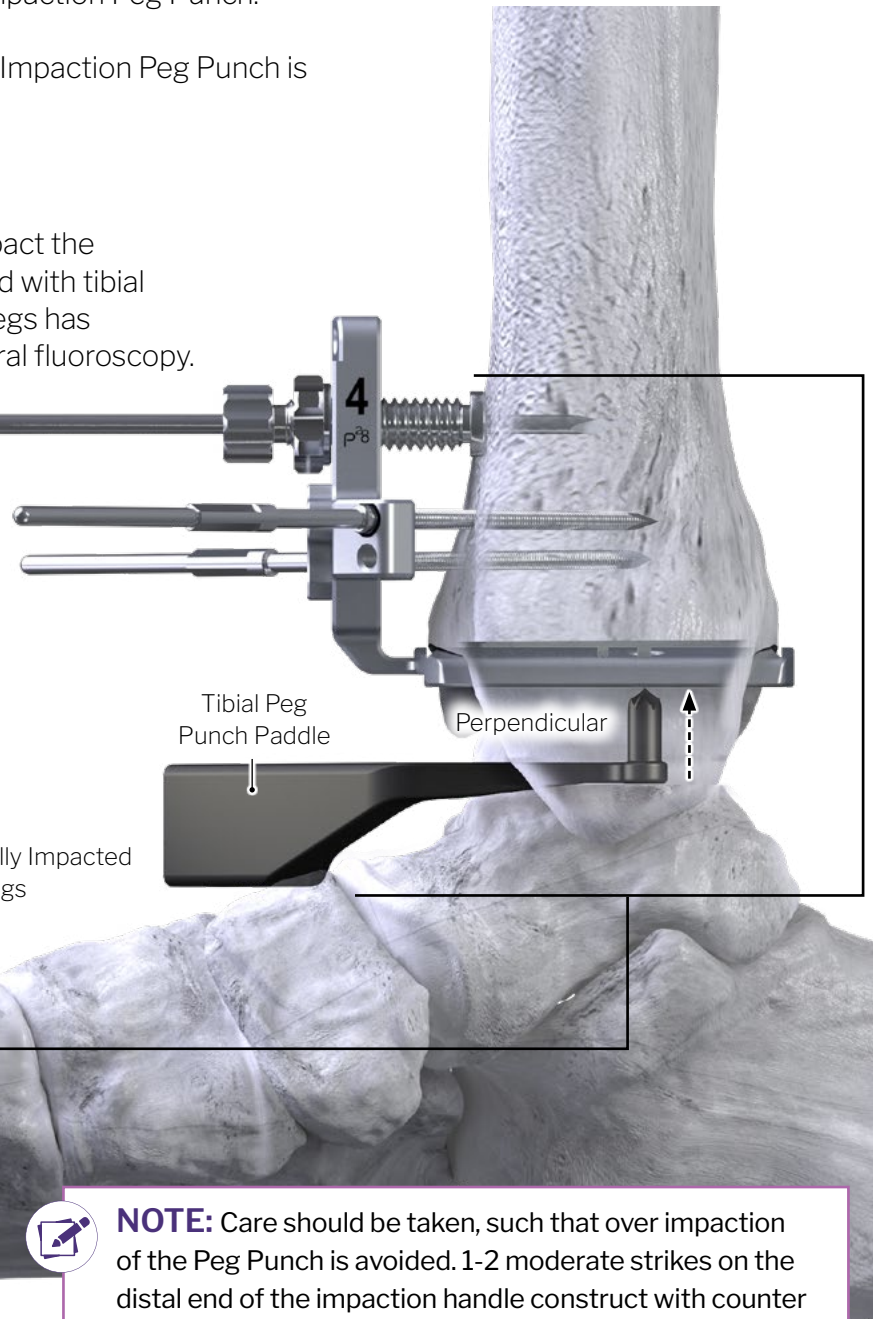
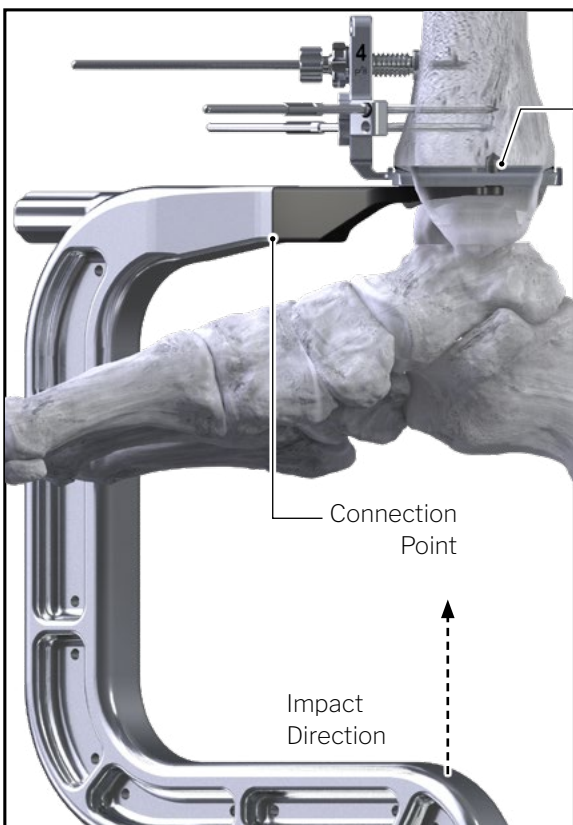
- Utilizing the corresponding size matched modular Impaction Peg Punch, insert by hand to visually assess placement against Tibial Trial peg holes.
- Connect Impaction Handle Tool to modular Impaction Peg Punch.
- Under a lateral fluoroscopic view, confirm the Impaction Peg Punch is perpendicular to the long axis of the tibia.

### VERTICAL TIBIAL PEG PREPARATION

- Under lateral fluoroscopy, use a mallet to impact the Impaction Handle until Pegs are fully engaged with tibial bone and confirm complete seating of the pegs has occurred relative to the Tibial Trial under lateral fluoroscopy.



**NOTE:** If hard sclerotic bone is encountered, re-punching the vertical pegs will help to clear any remaining bone.



**NOTE:** Care should be taken, such that over impaction of the Peg Punch is avoided. 1-2 moderate strikes on the distal end of the impaction handle construct with counter pressure on the limb should be sufficient.



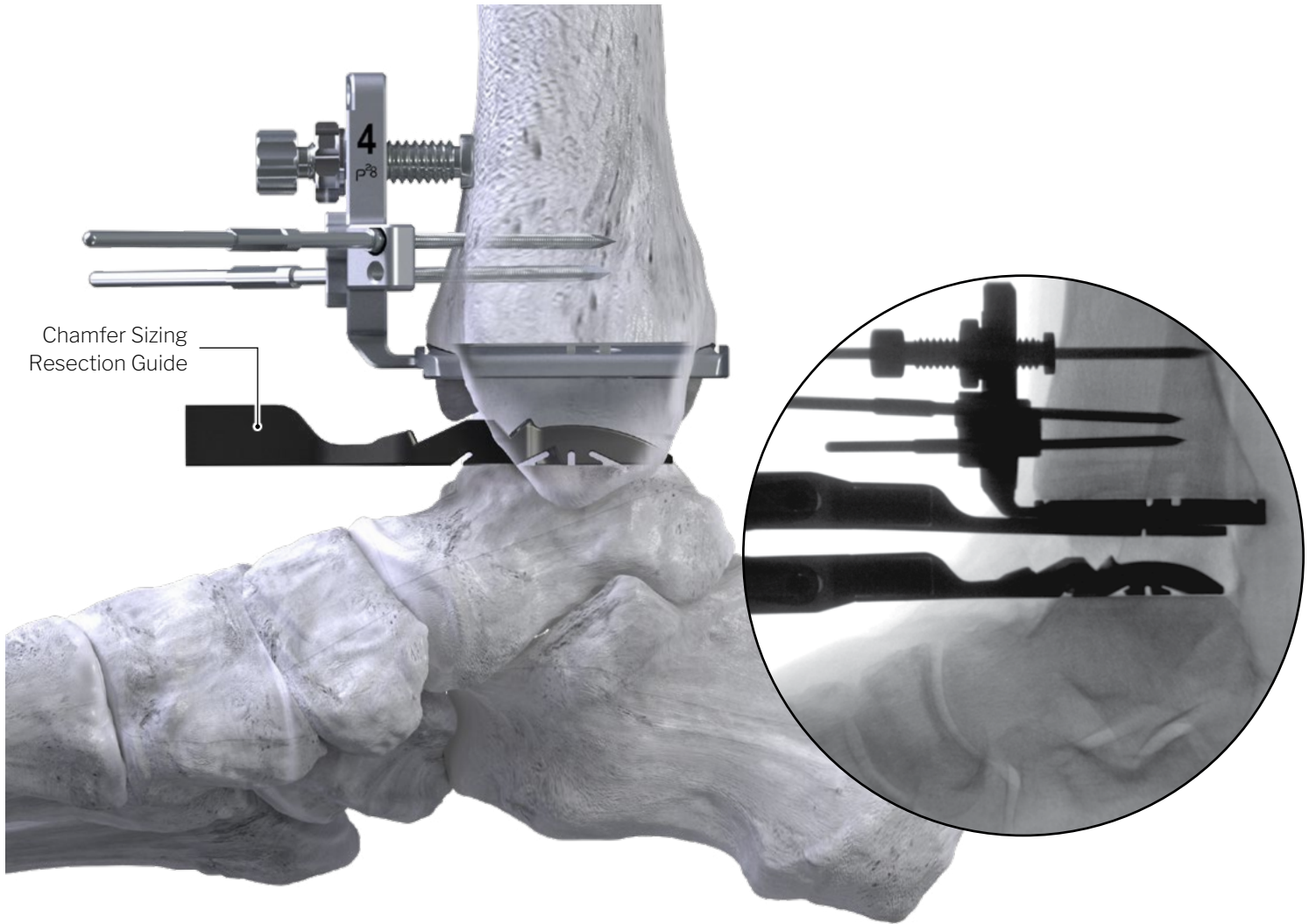
**NOTE:** Left and right configurations of the Tibial Peg Punch instrumentation are available and provided within the APEX™ System instrument kits.

BONE PREPARATION:



Instrumentation not to scale

## TALAR RESECTION GUIDE POSITIONING:



### TALAR RESECTION GUIDE - SIZING ASSESSMENT

- By hand, initially place the appropriately sized Talar Trial Sizing Resection Guide into the joint and evaluate M/L talar coverage visually.
- Ensure coverage of the medial and lateral aspect of the initial chamfer-cut, verifying that the Guide does not impinge on the M/L gutters.



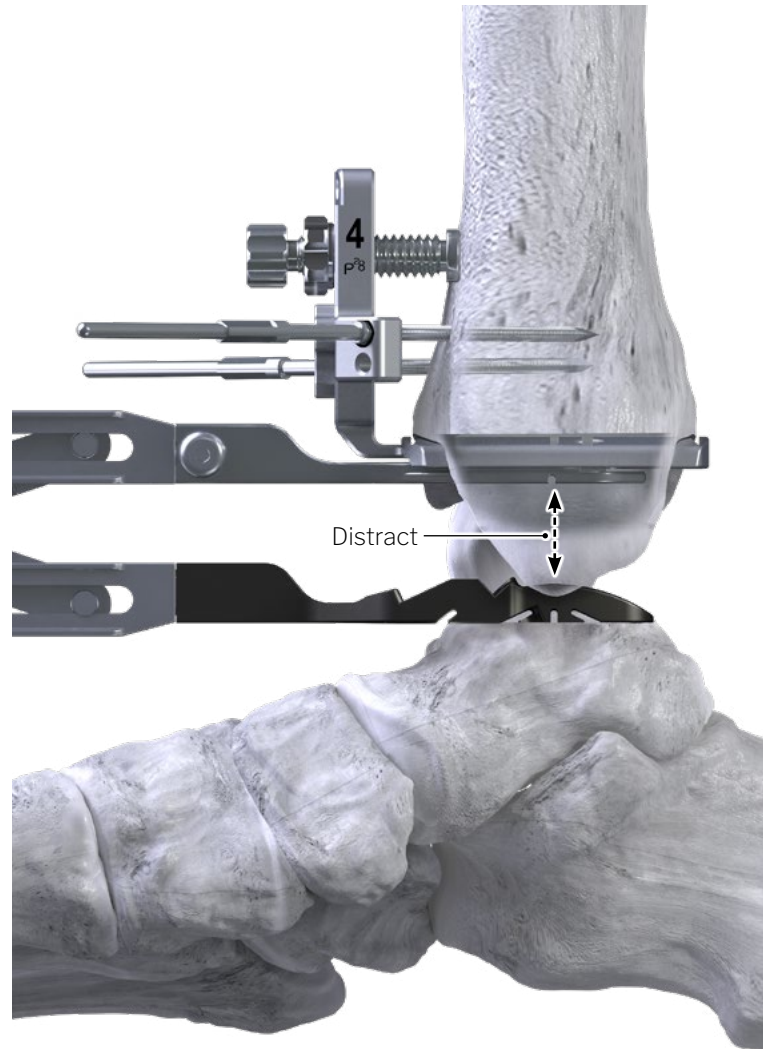
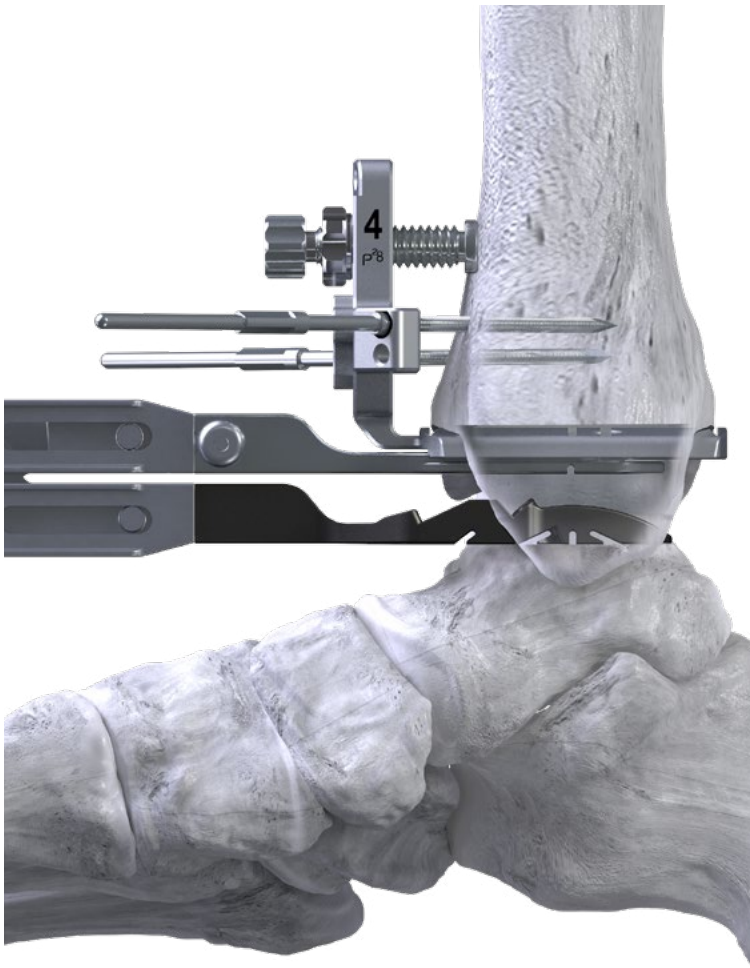
**NOTE:** As it relates to the Tibial Trial size, the selected Talar Guide can be sized up by 1 or down without restriction to achieve appropriate coverage. If M/L coverage is appropriate, but too large in A/P, downsizing is recommended.

Plantarflexing the tibiotalar joint to achieve appropriate visualization before setting in place is acceptable.

### FLUOROSCOPIC EVALUATION

- Under lateral fluoroscopy, confirm the Resection Guide size relative to the initial dorsal chamfer-cut.
- Ensure the Resection Guide:
  - Matches the fluoroscopic talar curvature adequately,
  - Vertical position marker on Talar Resection Guide can be used to align with the lateral process.

## TALAR RESECTION GUIDE POSITIONING:



### TALAR RESECTION GUIDE - POSITIONING

- Utilizing the Distractor, attach the appropriately sized Chamfer Talar Resection Guide and standard Tibial Trial Paddle\*.
- Insert the Talar Resection Guide/Tibial Trial Paddle assembly into the resected space, matching the paddle's connection to the inferior aspect of the Tibial Trial and the Resection Guide to the resected talar bone surface.



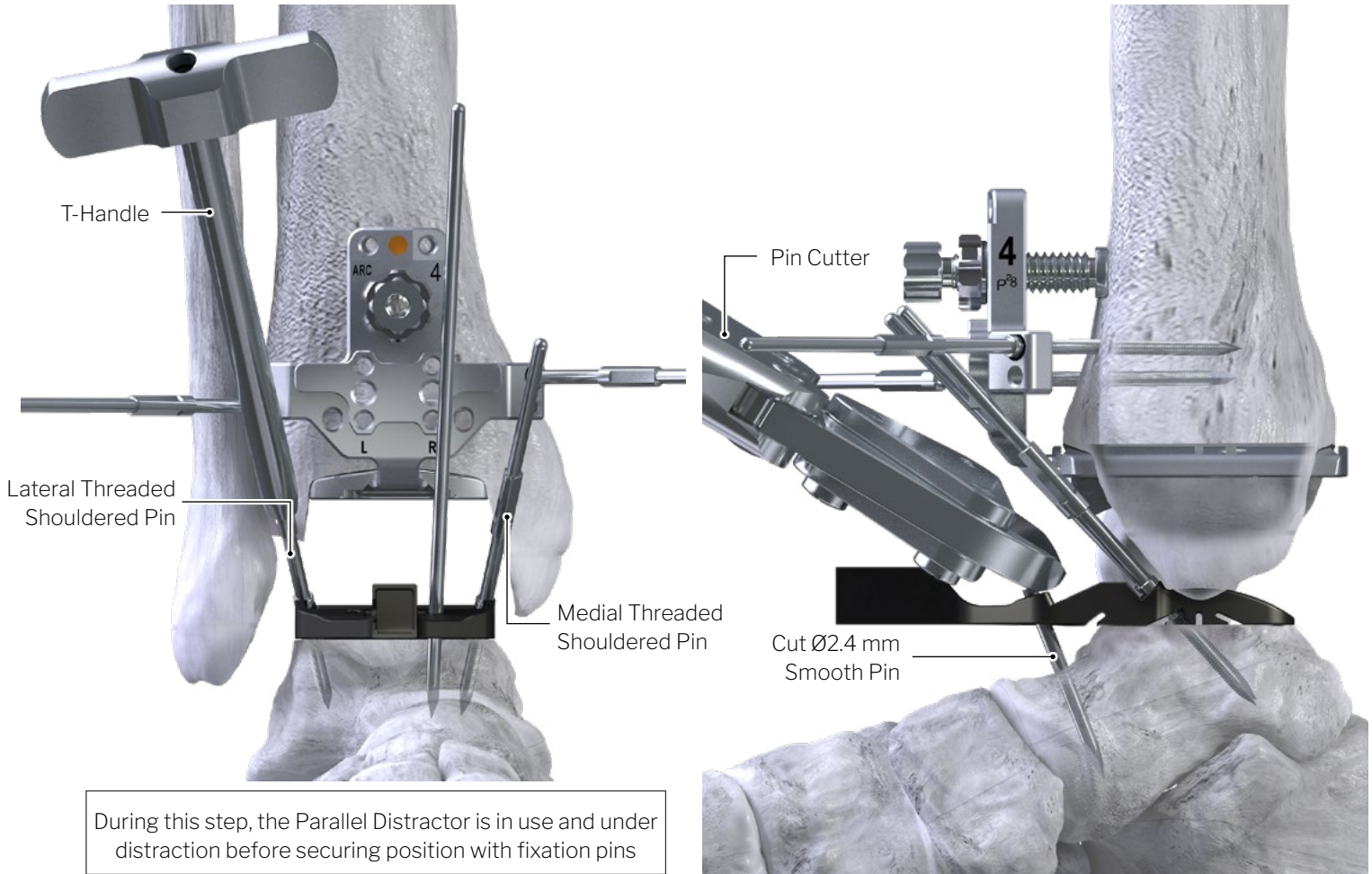
**NOTE:** \*Two Tibial Trial Paddle Options Exist:

- One allows for secure fit and no A/P translation
- Second allows for A/P translation

### TALAR RESECTION GUIDE - PLACEMENT

- Under a lateral fluoroscopic view, evaluate and (adjust as necessary):
  - A/P translation
  - Sizing
  - Anticipated resected bone
- Distract the joint by gently squeezing down on the Distractor's Handle, applying even pressure to the tibiotalar cortical surface.
- With the Distractor in place, re-check the Talar Sizing Resection Guide position under a lateral fluoroscopy view to ensure position and fit before setting position with fixation pins.

## TALAR RESECTION GUIDE PLACEMENT:



During this step, the Parallel Distractor is in use and under distraction before securing position with fixation pins

**NOTE:** The subsequent pin fixation steps are critical. Care should be taken to establish an appropriate position.

### TALAR RESECTION GUIDE - FIXATION

- With the Distractor connected to the Sizing Resection Guide, confirm that a flush contact interface and appropriate positioning have been achieved under a lateral fluoroscopic view.
  - By hand, insert a Ø2.4 mm x 110 mm Smooth Steinmann Pin into the medial anterior pin hole, then secure position under power.
  - By hand, insert a Ø2.4 mm x 25 mm Threaded Shouldered Pin into the medial converging pin hole, then secure position under power, advancing slowly using a ream setting, stopping pin insertion prior to fully seating against the guide.
  - Insert a second Shouldered Pin into the lateral hole of the guide following the method as outlined in the previous step.

### TALAR RESECTION GUIDE

- Disconnect the Distractor by holding the release button located on the device and pulling anteriorly.
- Using the supplied Pin Cutters, trim the medial anterior Ø2.4 mm Smooth Steinmann Pins or remove to allow access to resection slots.

**NOTE:** Shouldered pins will be fully seated by hand using the provided T-Handle after the second Ø2.4 mm x 25 mm shouldered pin has been set in place.

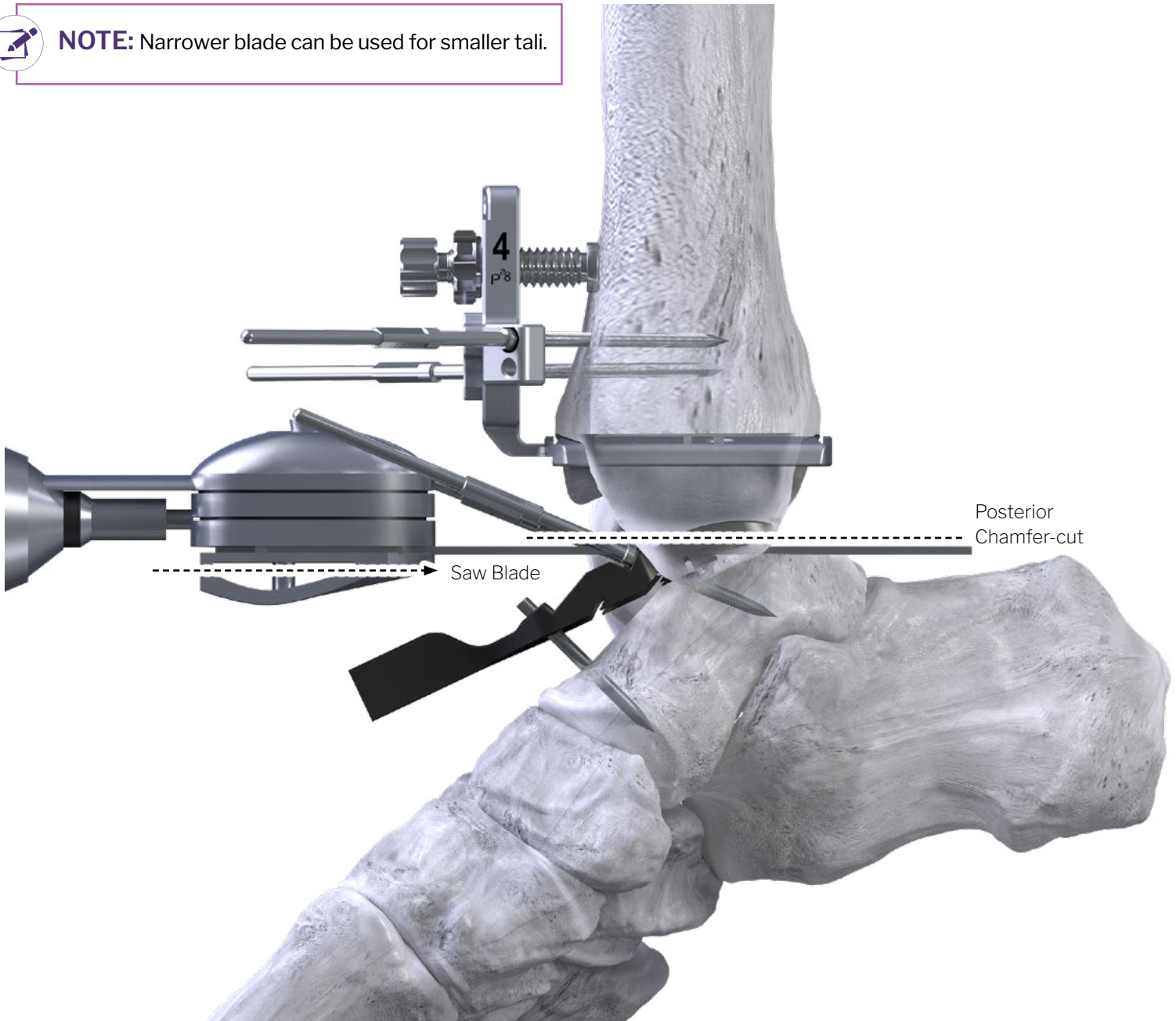
## TALAR BONE RESECTION:

### POSTERIOR TALAR BONE RESECTION

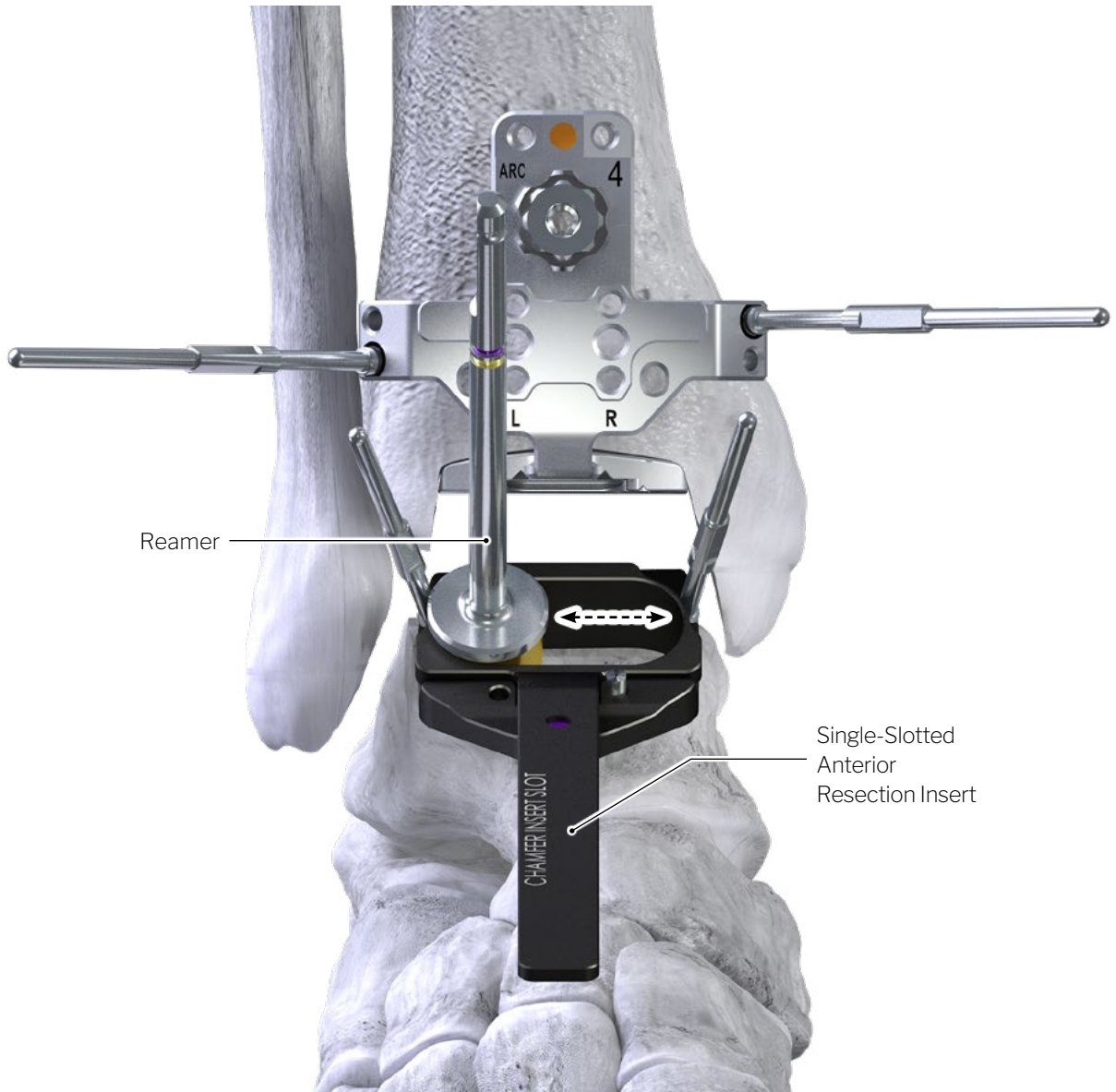
- Insert the 13 mm x 90 mm Oscillating Saw Blade into the posterior cut slot of the Talar Sizing Resection Guide and perform the posterior chamfer-cut.



**NOTE:** Narrower blade can be used for smaller tali.



## TALAR BONE RESECTION:



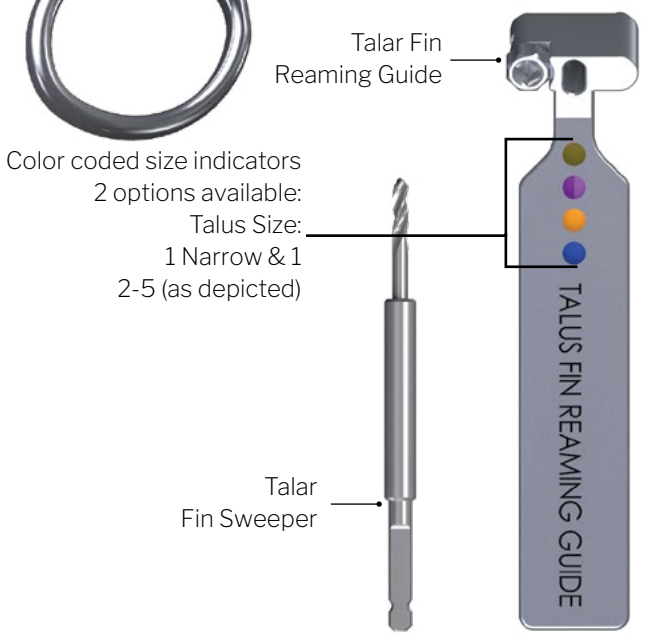
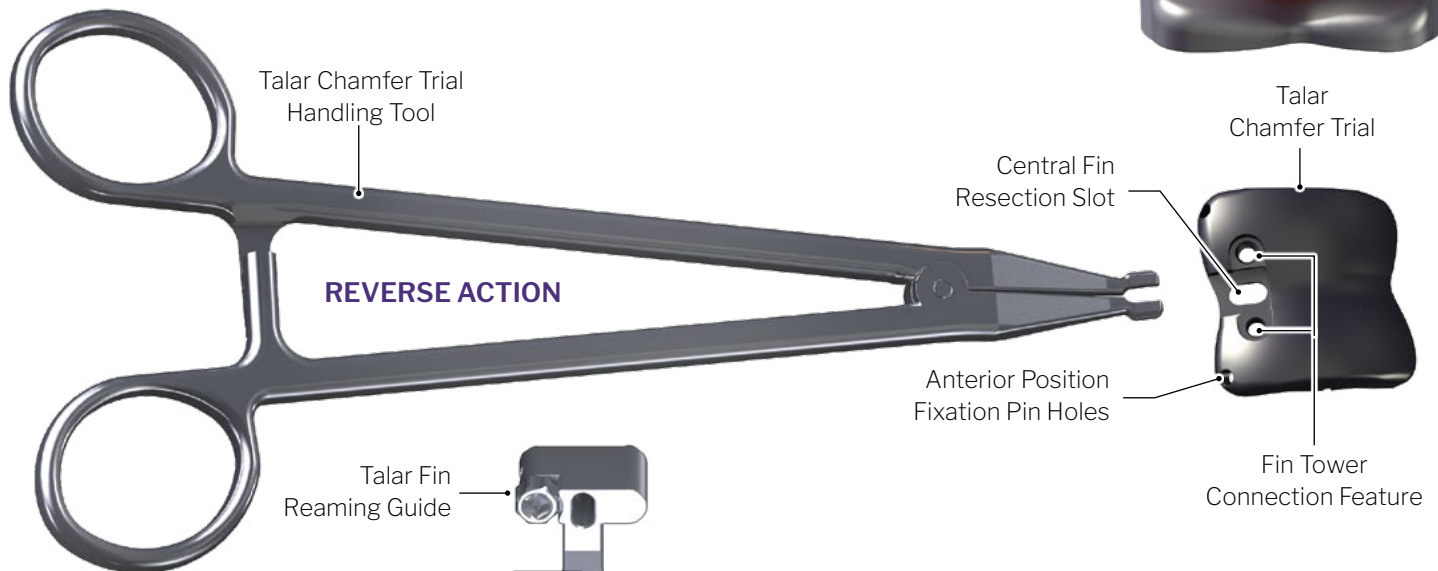
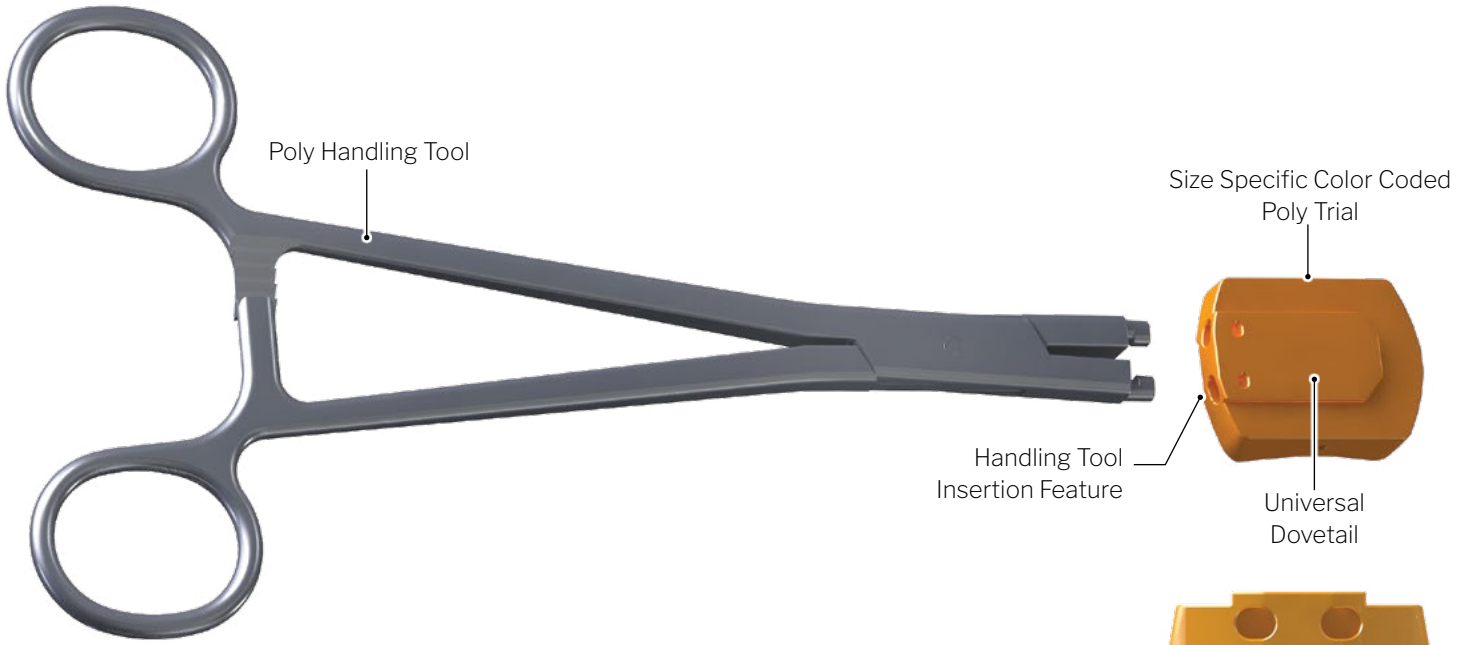
### ANTERIOR TALAR BONE RESECTION

- Insert the appropriately sized anterior Chamfer Single-Slotted Resection Insert into the anterior window of the Talar Chamfer Resection Guide.
- Under power, sweep the Reamer from left to right until the bridge between the two reamed holes is resected, then remove the Single-Slotted Resection Insert.
- Remove the three (3) talar pins and complete posterior talar cuts as needed, then remove posterior talar resection.
- Complete anterior chamfer with the provided Square Tip Rongeur.



**NOTE:** Wait to start the reamer until lightly pressed against the cortical bone.

# TALAR & POLY TRIAL INSTRUMENTATION:



Color coded size indicators  
2 options available:  
Talus Size:  
1 Narrow & 1  
2-5 (as depicted)

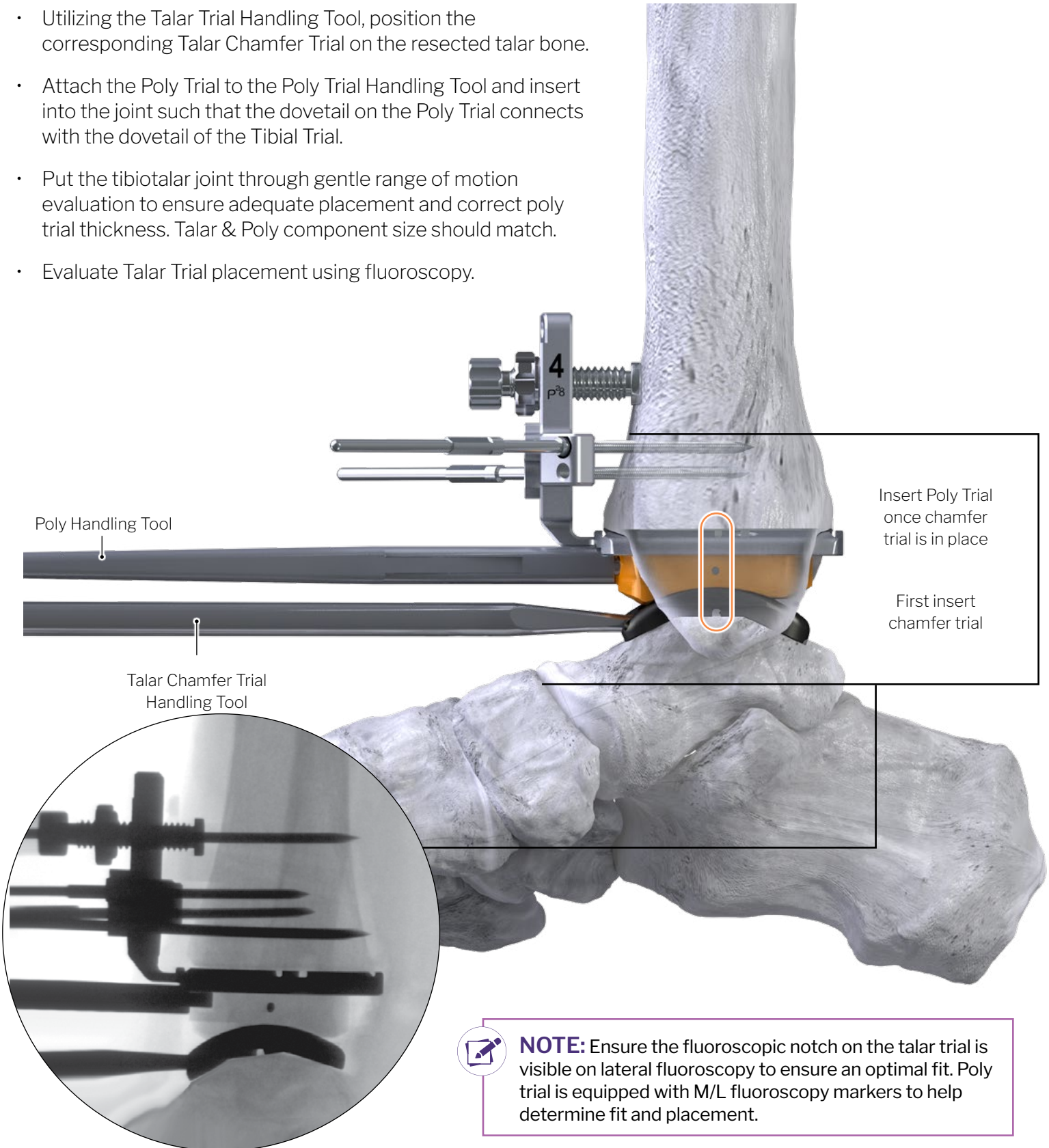


*Instrumentation not to scale*

## TALAR & POLY TRIAL EVALUATION:

### TALAR & POLY TRIAL - EVALUATION

- Utilizing the Talar Trial Handling Tool, position the corresponding Talar Chamfer Trial on the resected talar bone.
- Attach the Poly Trial to the Poly Trial Handling Tool and insert into the joint such that the dovetail on the Poly Trial connects with the dovetail of the Tibial Trial.
- Put the tibiotalar joint through gentle range of motion evaluation to ensure adequate placement and correct poly trial thickness. Talar & Poly component size should match.
- Evaluate Talar Trial placement using fluoroscopy.



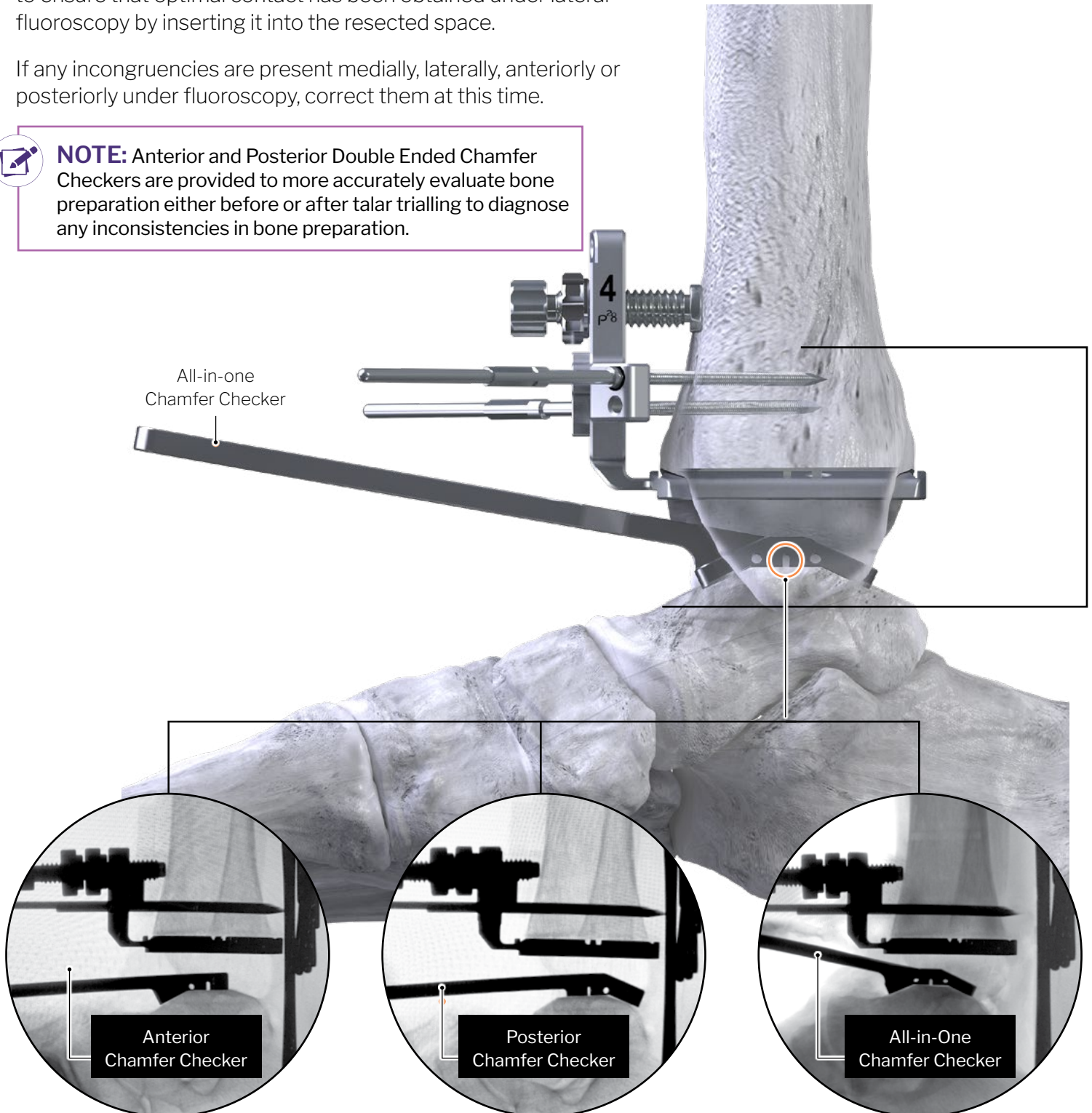
## TALAR BONE RESECTION - DIAGNOSTIC EVALUATION:

### CHAMFER CHECKER

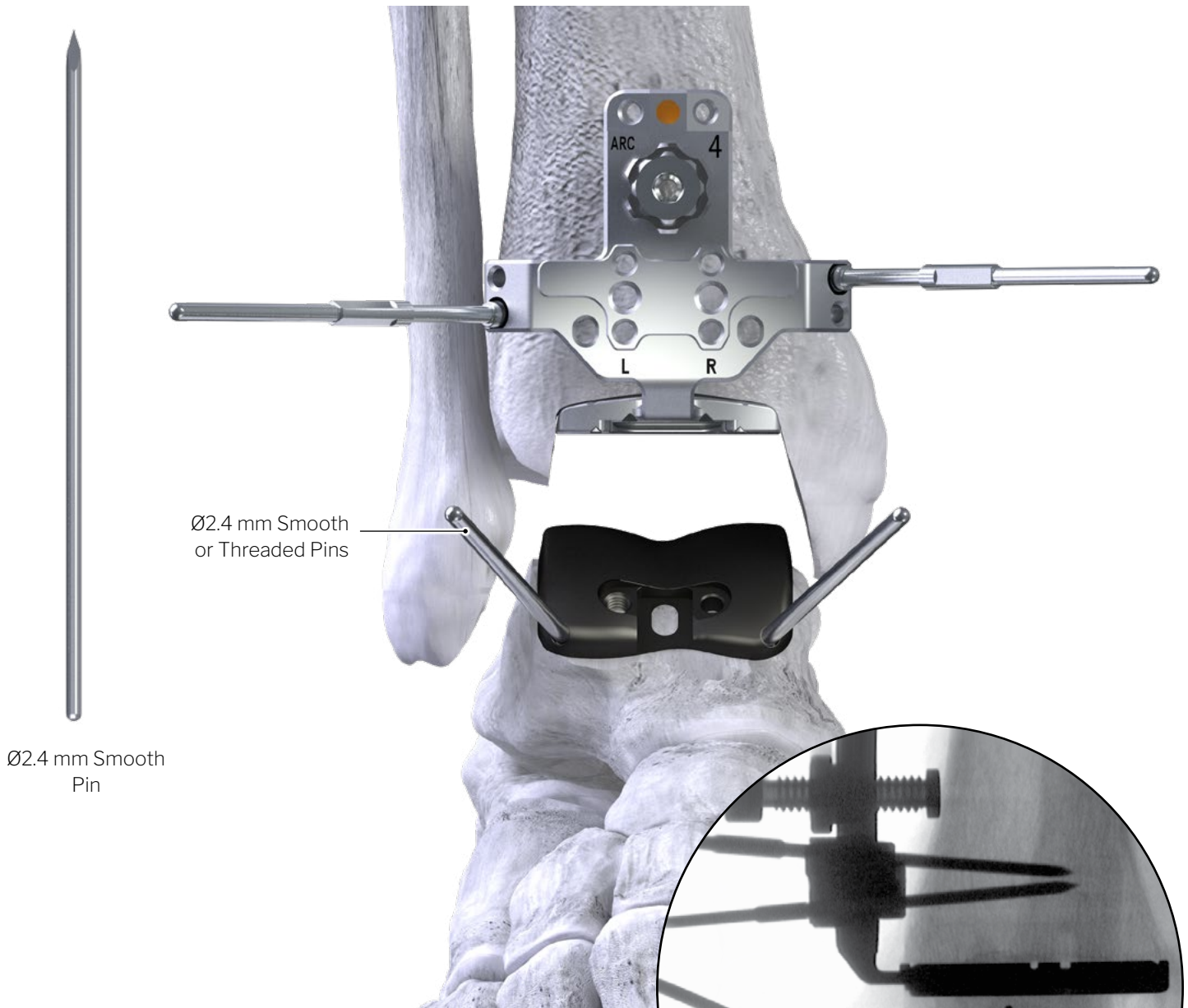
- If the Talar Trial does not seat flush against the resected bone, utilize the All-in-one Chamfer Checker - Diagnostic Evaluation Tool, to evaluate the chamfer cuts.
- Review the central fluoroscopic marker of the Chamfer Checker to ensure that optimal contact has been obtained under lateral fluoroscopy by inserting it into the resected space.
- If any incongruencies are present medially, laterally, anteriorly or posteriorly under fluoroscopy, correct them at this time.



**NOTE:** Anterior and Posterior Double Ended Chamfer Checkers are provided to more accurately evaluate bone preparation either before or after talar trialling to diagnose any inconsistencies in bone preparation.



**TALAR TRIAL FIXATION:**

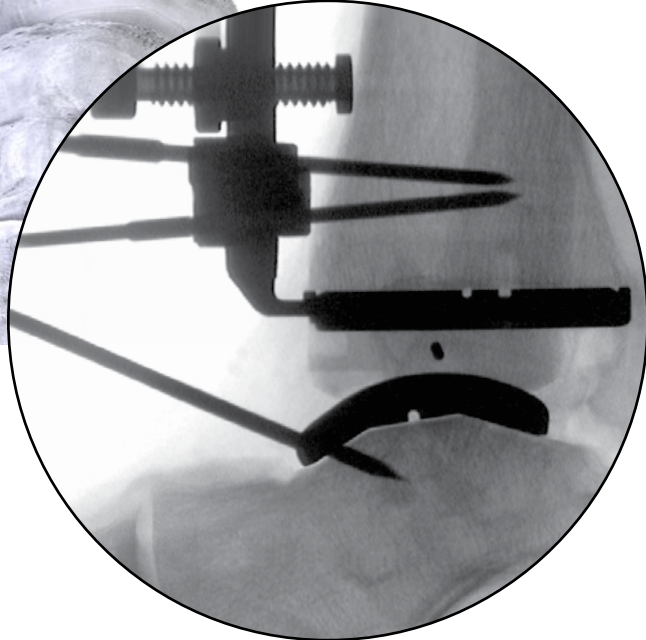


Ø2.4 mm Smooth Pin

Ø2.4 mm Smooth or Threaded Pins

**SECURE TRIAL - PIN PLACEMENT**

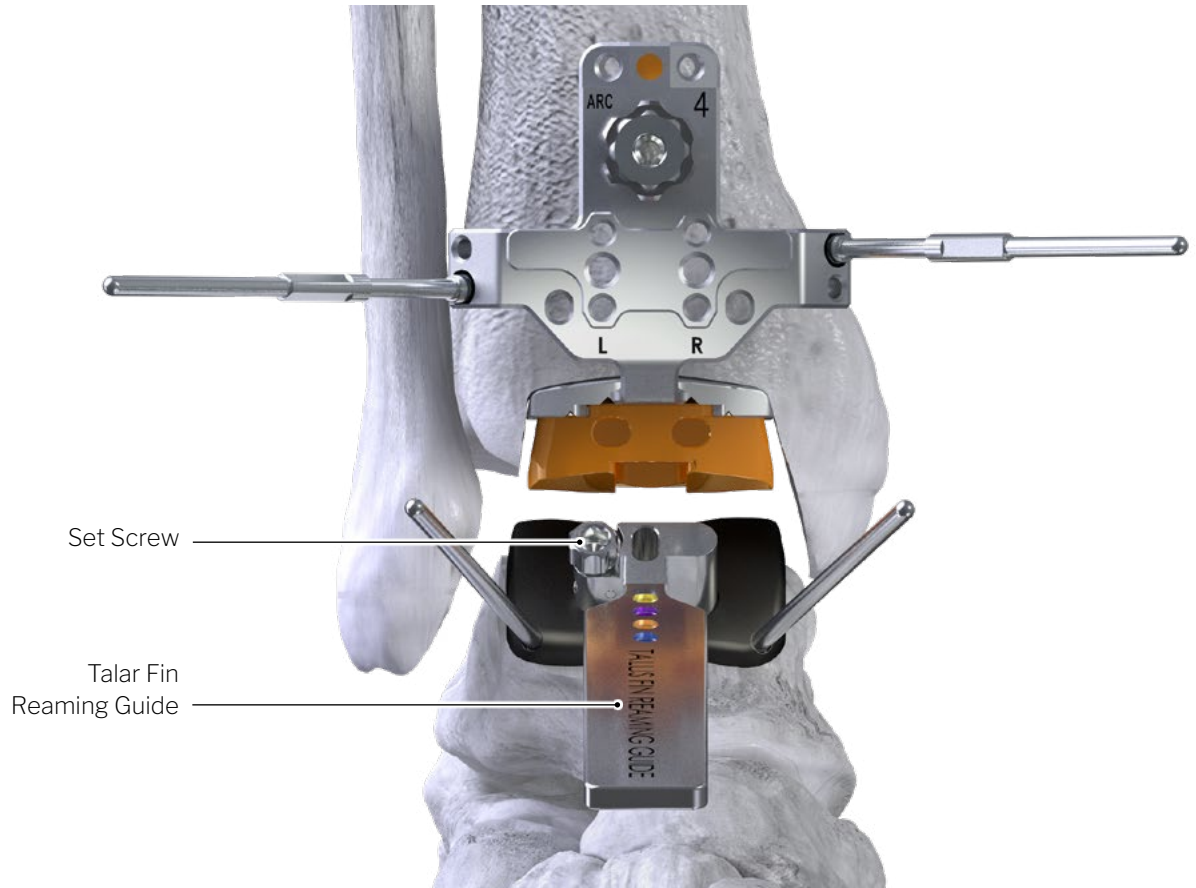
- By hand, place a Ø2.4 mm x 110 mm Smooth Steinmann Pin or Ø2.4 mm x 25 mm Threaded Shouldered Pin into the medial anterior converging pin hole of the Talar Trial, then advance under power using a slight pecking technique, taking care not to penetrate the subtalar joint.
- By hand, place a second corresponding Shouldered or Smooth Pin into the lateral anterior pin hole of the Talar Trial, then advance under power to secure Trial in place.



## TALAR TRIAL PREPARATION:



Talar Fin  
Reaming Guide

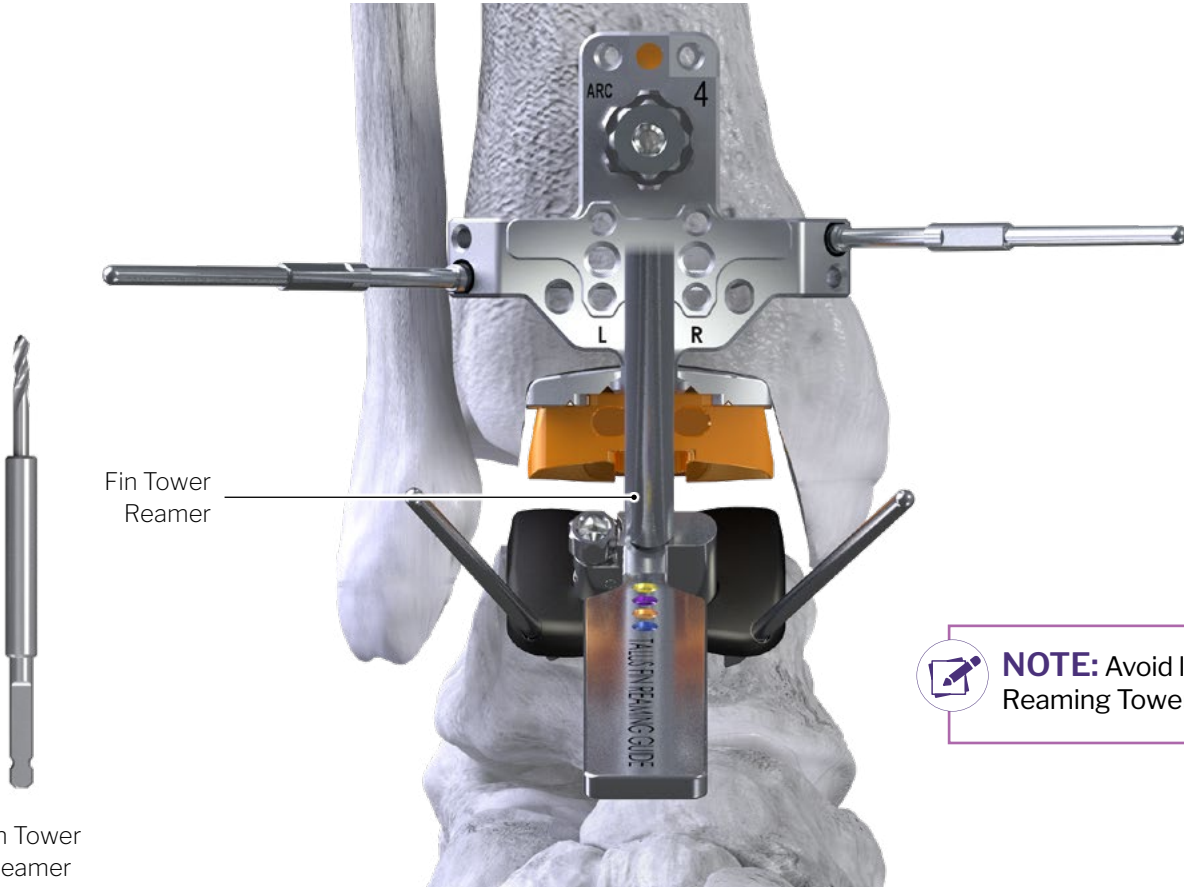


## SECURE TRIAL - PIN PLACEMENT

- In plantar flexion, attach the appropriately sized Talar Reaming Tower to the anterior aspect of the Trial by locking set screw using the provided Hex Driver.



**TALAR TRIAL PREPARATION:**



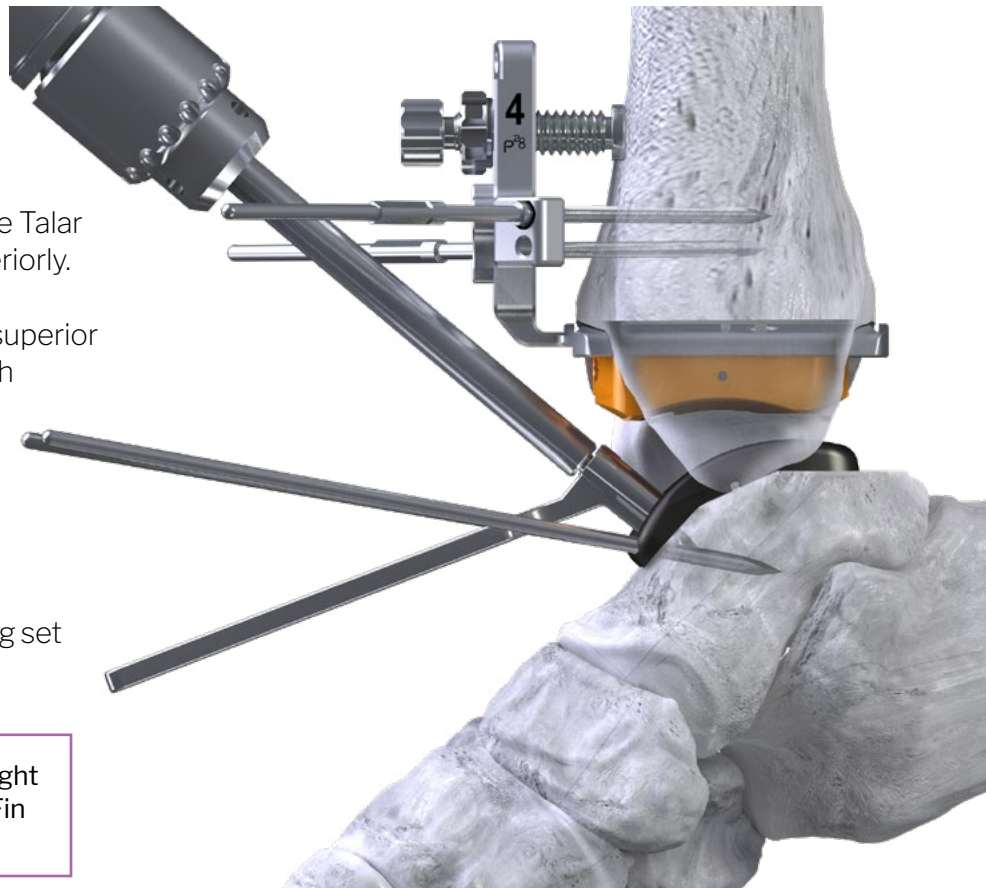
**TALAR FIN - PREPARATION**

- In plantar flexion, under power, utilize the Talar Fin Reamer to punch superiorly and inferiorly.
- Translate the Fin Reamer between the superior and inferior holes while maintaining flush surface contact with Reaming Tower.

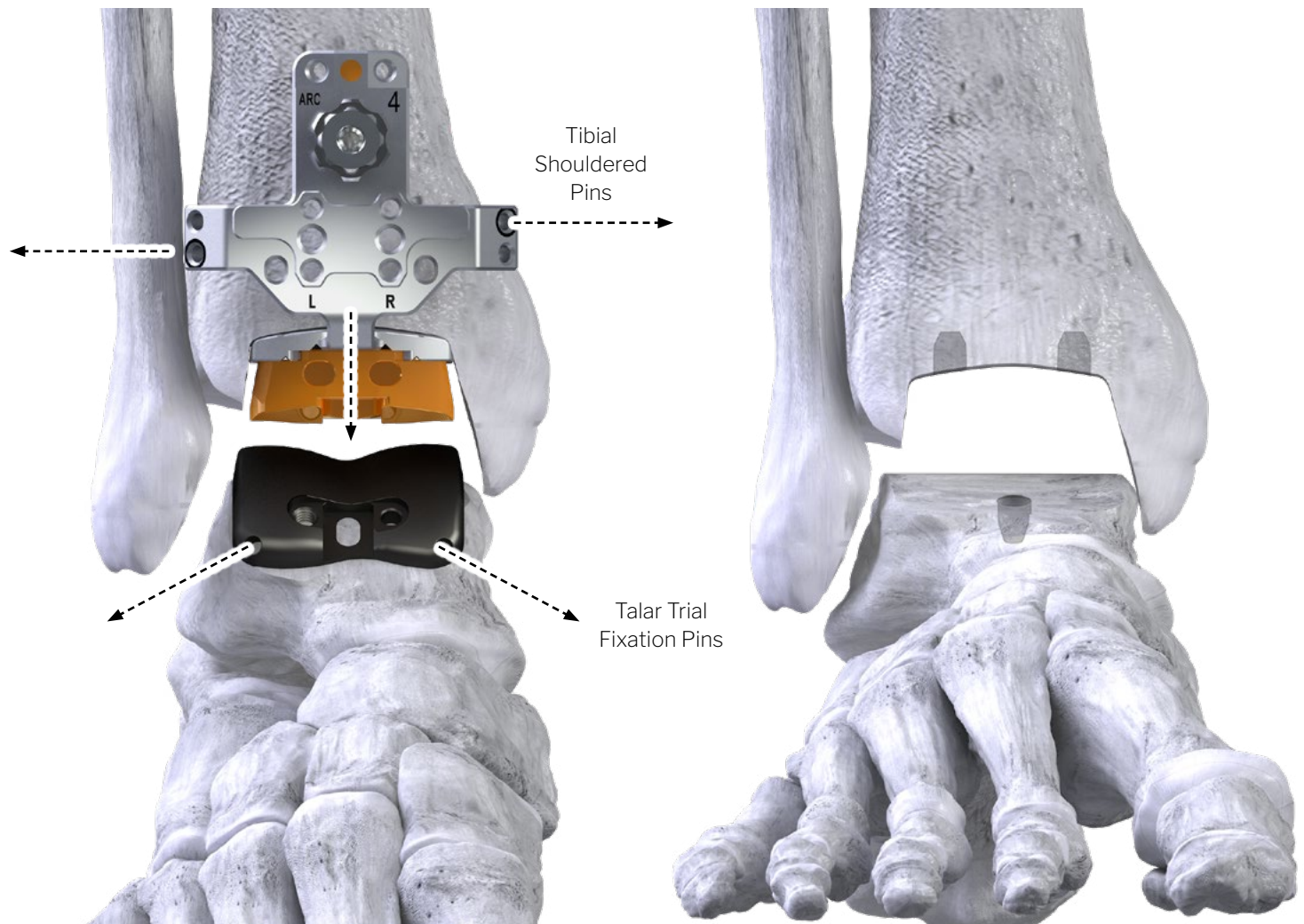
**TALAR FIN - COMPONENT REMOVAL**

- Remove the Fin Reamer.
- Remove the Reaming Tower by unlocking set screw.

**NOTE:** In some cases, the Tibial Trial might need to be removed to access the Talar Fin Tower with drill.



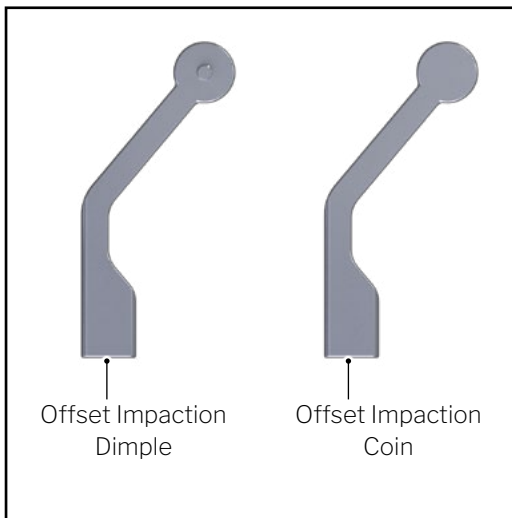
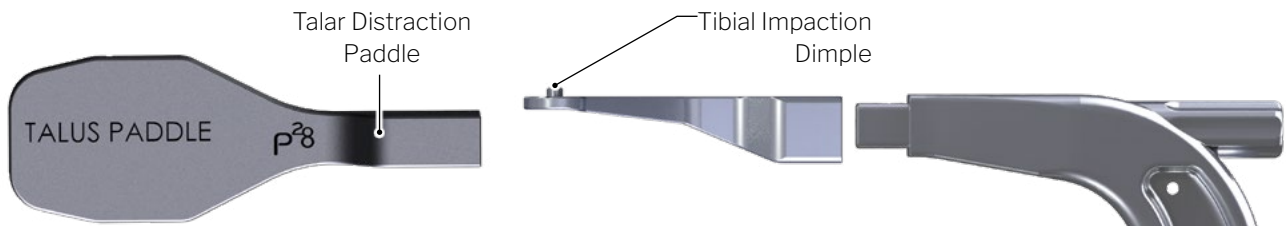
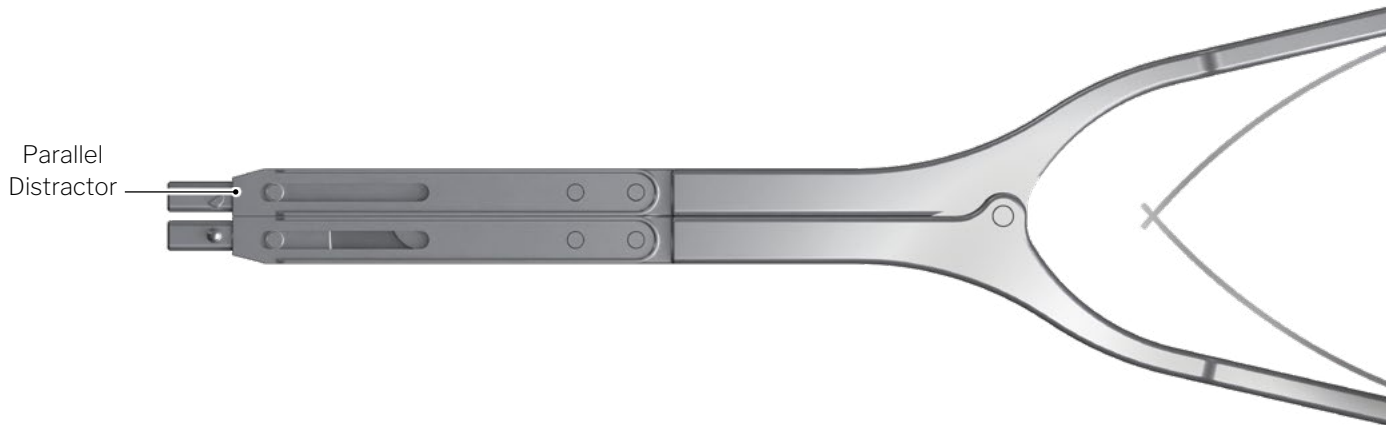
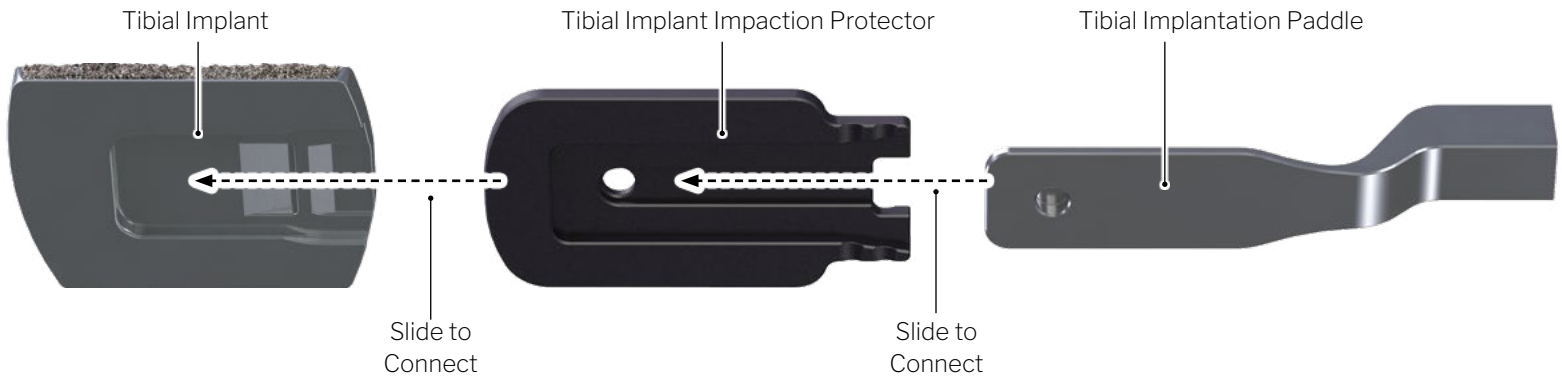
## TIBIAL & TALAR TRIAL REMOVAL:



### TIBIAL & TALAR TRIAL - CONSTRUCT REMOVAL

- Remove the Poly Trial using the Poly Handling Tool.
- Remove the Shouldered Pins from the Tibial Trial.
- Remove the Tibial Trial.
- Remove the Ø2.4 mm smooth Steinmann Pins from Tibial Trial.
- Remove the fixation Pins from Talar Trial.
- Remove the Talar Trial using the Talar Handling Tool

# FINAL TIBIAL IMPLANT PLACEMENT INSTRUMENTATION\*

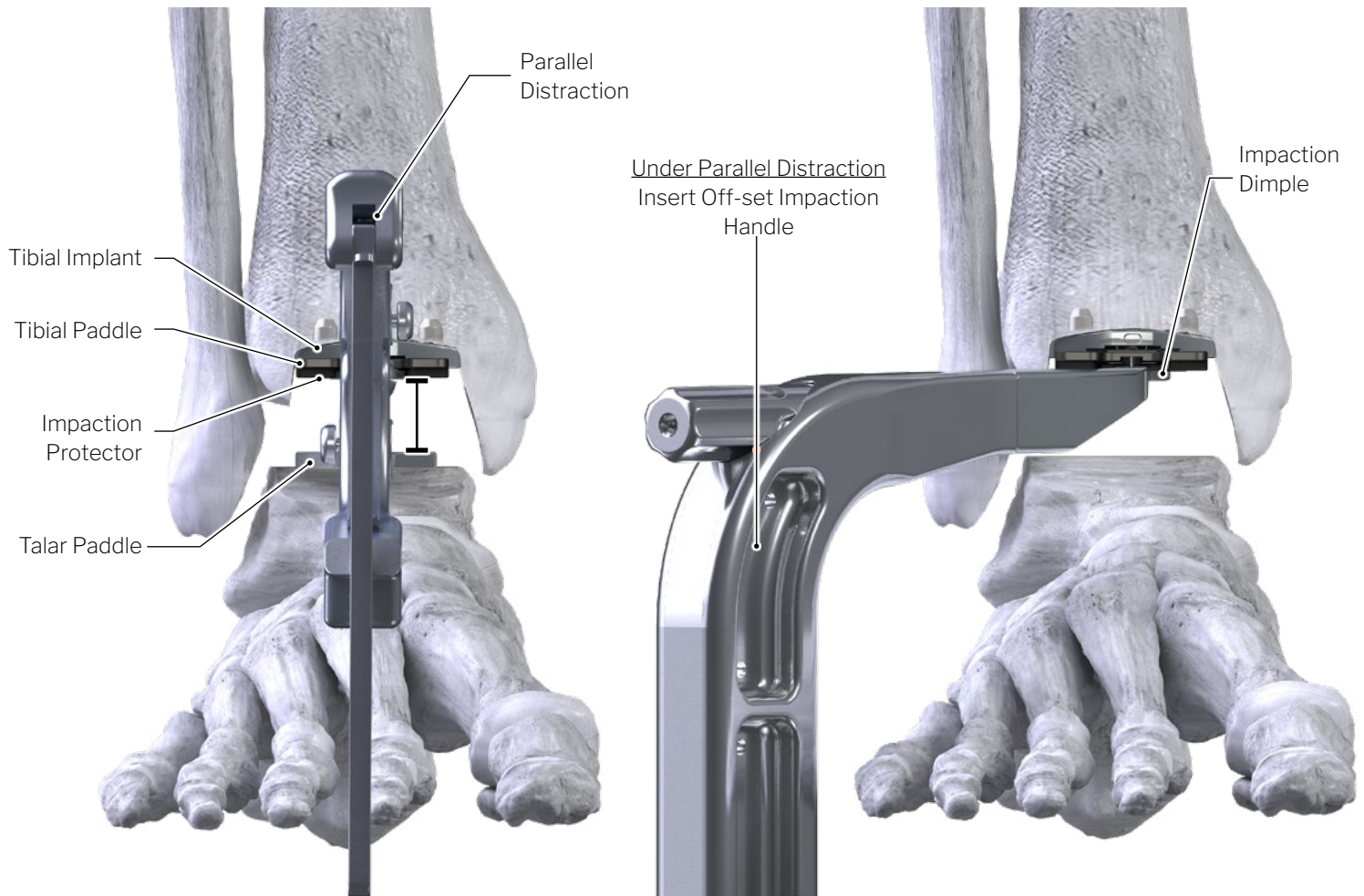


Off-set Impaction Handle

(Right & Left Options Available)

**Instrumentation not to scale**

## FINAL TIBIA IMPLANT PLACEMENT:



### FINAL TIBIAL IMPLANT SET UP & PLACEMENT

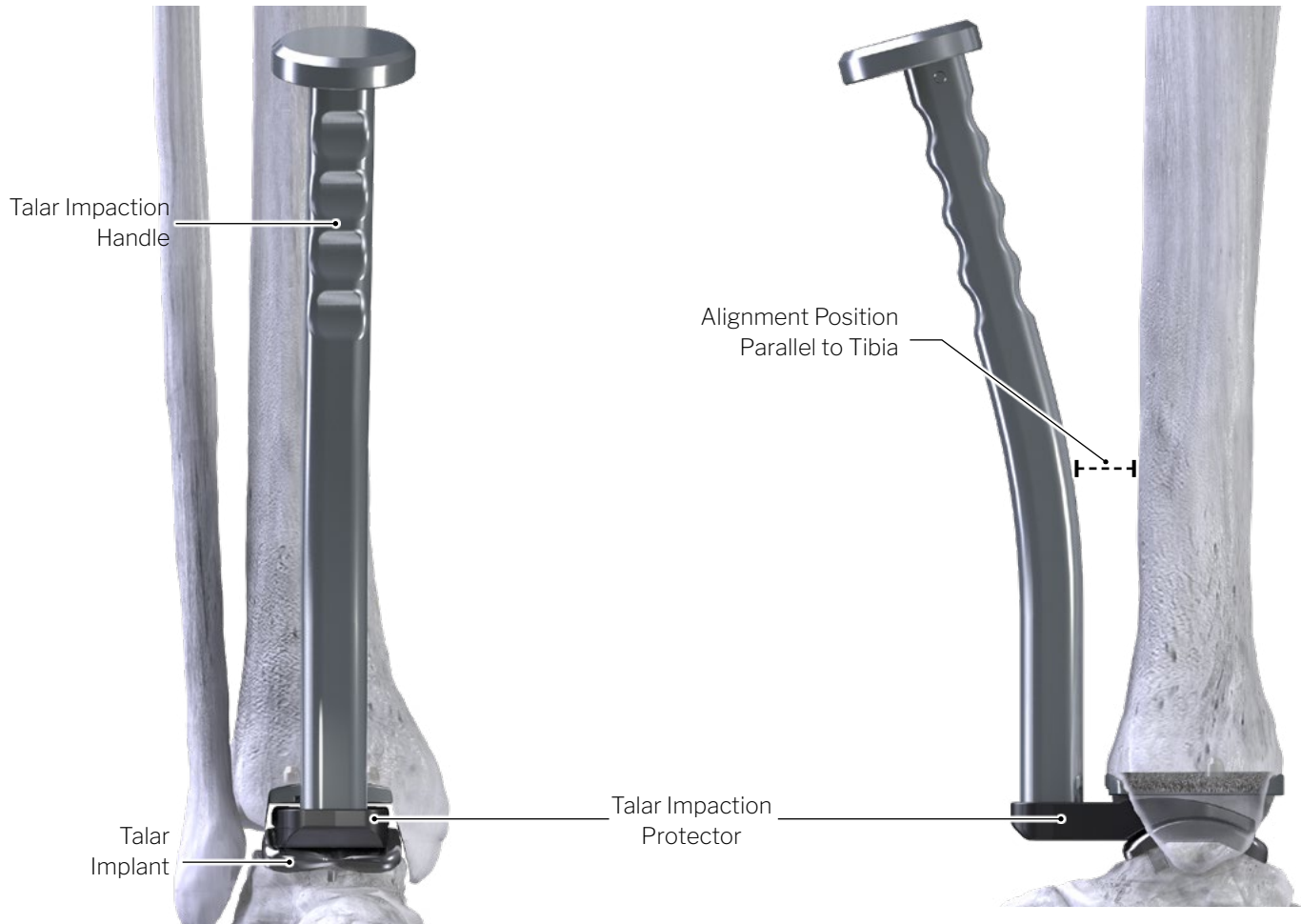
*(Similar for ARC Tibia™ or Flat Tibia components styles)*

- Connect the size matched Impaction Protector to the tibial implant, the Tibial Insertion Paddle to Parallel Distractor, and the Paddle to the Impaction Protector.
- Attach the Centering Tibia Impaction Coin or Dimple to the Tibial Impaction Handle.
- For cemented use, apply bone cement to the superior aspect of the tibial implant. **Do not apply bone cement to the vertical pegs.**
- While connected to the Distractor and under lateral fluoroscopy, guide the Tibial Implant into position. Verify alignment, distract, insert impaction coin or dimple aligning with impaction paddle recess, then strike Impaction Handle with mallet to fully seat the Tibial Implant.
- Confirm the Implant is fully seated under both lateral and AP fluoroscopy views.



**NOTE:** In the United States, components are intended for cemented use only.

## FINAL TALAR IMPLANT PLACEMENT:



### FINAL TALAR IMPLANT PLACEMENT

(Similar for Chamfer or Flat Talar components)

- For cemented use, apply bone cement to the Titanium Plasma Spray coated surface of the talar implant. **Do not apply bone cement to the central fin.**
- By hand, insert the talar implant such that the central fin aligns with the reamed slot.
- Confirm placement on lateral fluoroscopy to ensure the fin is provisionally seated within the talar bone.
- Remove Tibial Impaction Protector.
- Align the Talar Impactor over the implant and press down, then use mallet to impact Handle until the implant is fully seated against talus.
- Flex and extend to adjust AP / Dorsal implantation.
- Confirm implant seating using fluoroscopy.



**NOTE:** Tibial Impaction Protector should remain in place during Talar Implant placement. Removal prior to final Talar Implant impaction required.



**NOTE:** In the United States, components are intended for cemented use only.

## FINAL POLY IMPLANT PLACEMENT:



### CHECK POINT - POLY TRIAL CONFIRMATION

To confirm appropriate Poly Insert thickness, attach the previously selected Poly Trial to the Poly Trial Handling Tool and insert into the joint such that the dovetail of the Poly Trial connects with the dovetail of the Tibial Implant. Perform gentle range of motion of the tibiotalar joint to evaluate placement and thickness. If the thickness is not appropriate, swap Trials as needed to further evaluate, then repeat Trial insertion and range of motion evaluation.

## FINAL POLY IMPLANT PLACEMENT

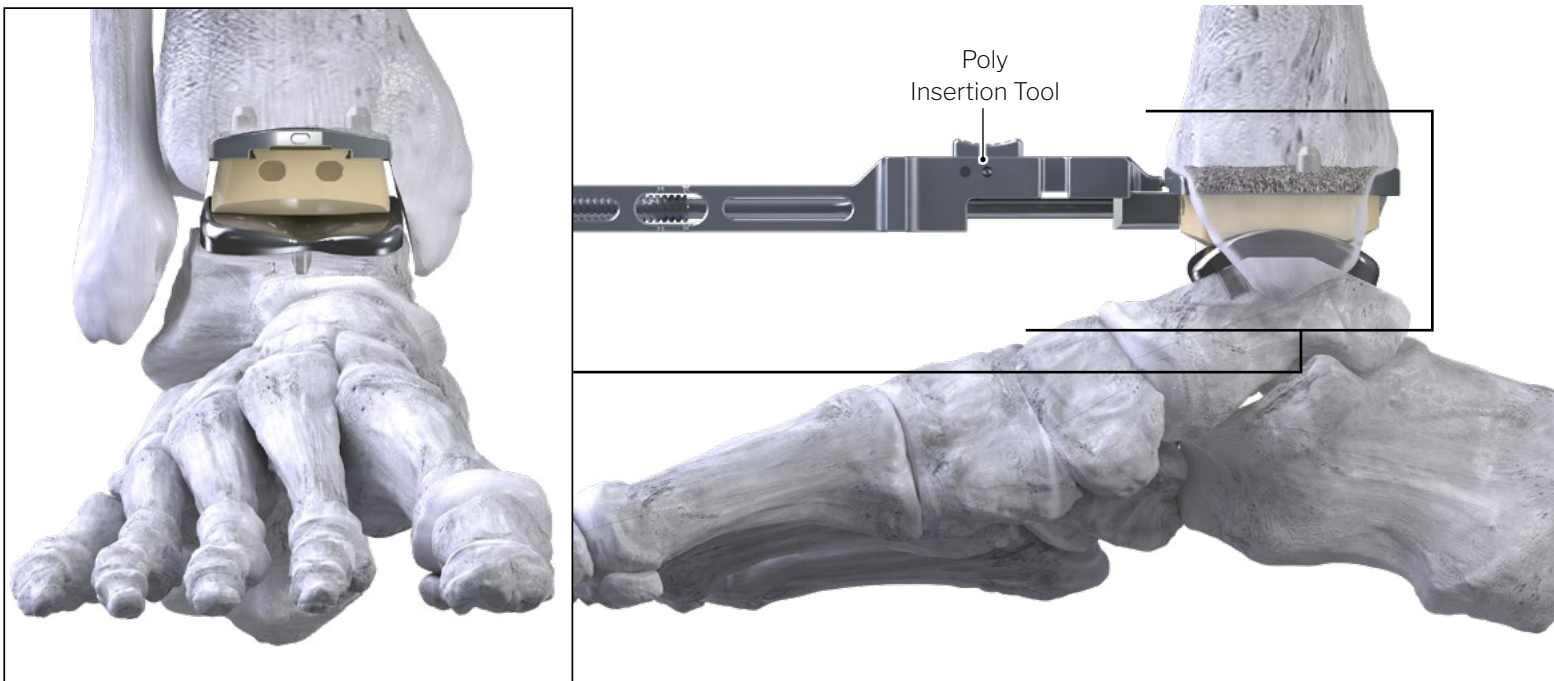
- Attach the Poly Implant to the self-retaining prongs of the Insertion Tool.
- Attach the Poly Insertion Tool to the Tibial Implant by inserting the hooked tip catch feature, located on the leading edge of the device, into the anterior recess of the implant making sure to keep alignment of the instrument parallel with the Tibia Base Implant.
- Slide the “LOCK” button to the locked position to create a secure connection. Note: The Insertion Tool's Shim acts as a wedge to hold placement.
- Rotate the turn knob on the end of the Poly Insertion Tool advancing the Poly Insert to engage the Tibia Implant. Rotate the knob until the Poly Insert is fully seated. The Poly is fully seated when the knob hits resistance.
- With the poly fully seated, rotate the Poly Insertion Tool knob counterclockwise a few turns. Slide the "Lock" button to the unlocked position to disengage the shim from the Tibia implant and remove the Poly Insertion Tool.
- Conduct a range of motion evaluation.

## CONFIRM FINAL PLACEMENT & CLOSURE

- Proceed to final fluoroscopic images and incision closure at this time.

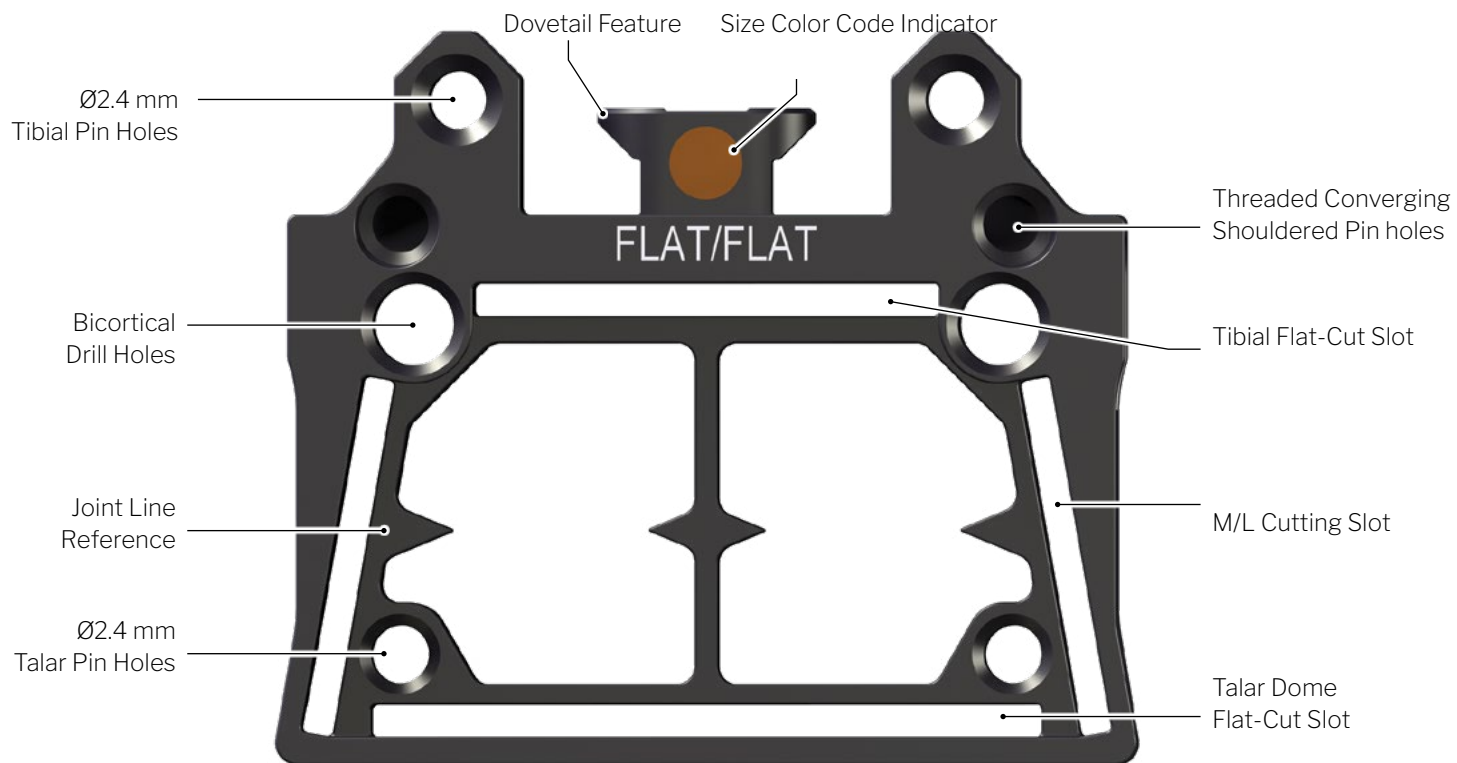


**NOTE:** If size matched or downsized, the anterior aspect of the Poly Implant and anterior aspect to the Tibial Implant will not sit flush, Poly is designed to be recessed.

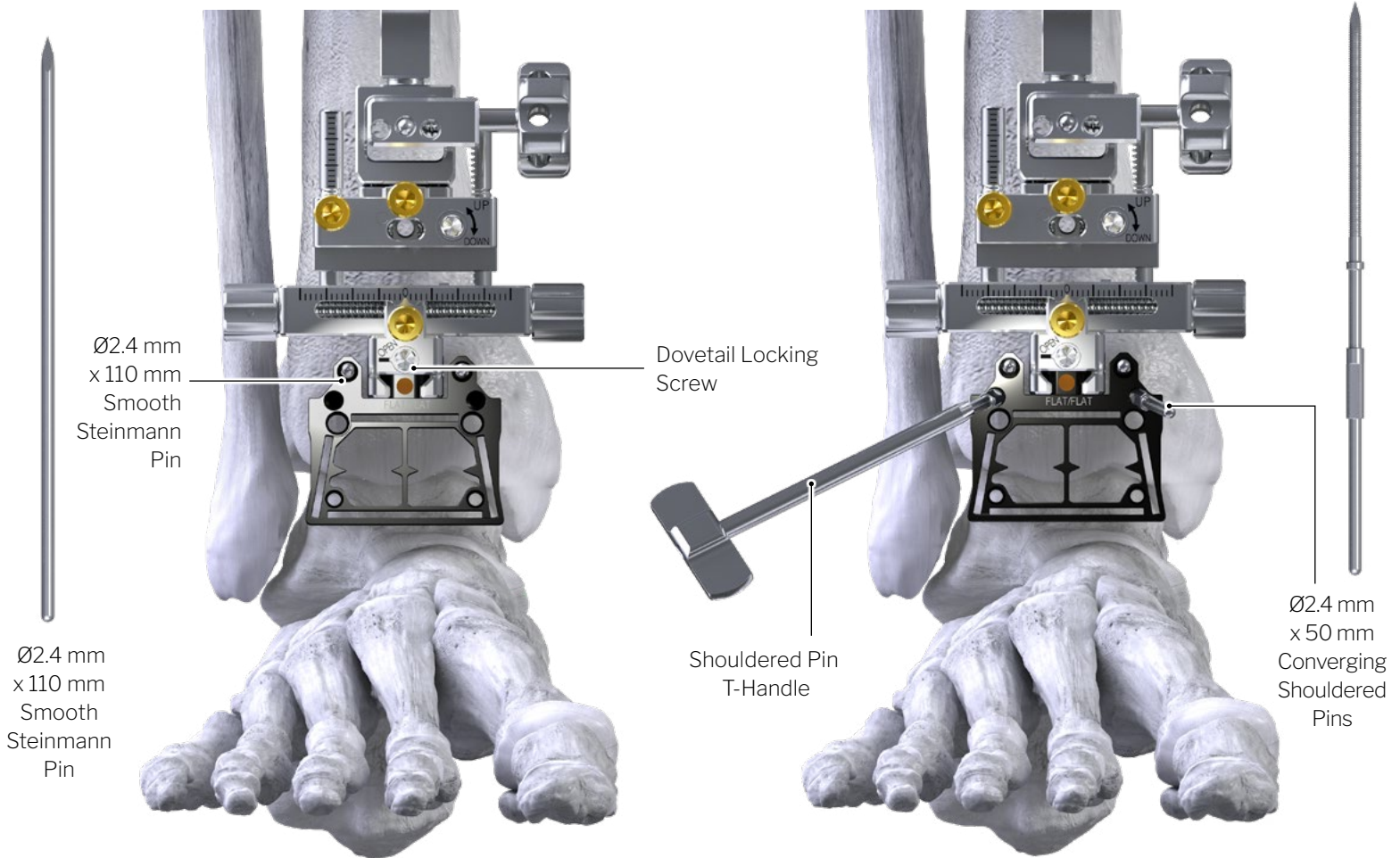


# COUPLED TIBIOTALAR RESECTION BLOCK:

## RESECTION BLOCK

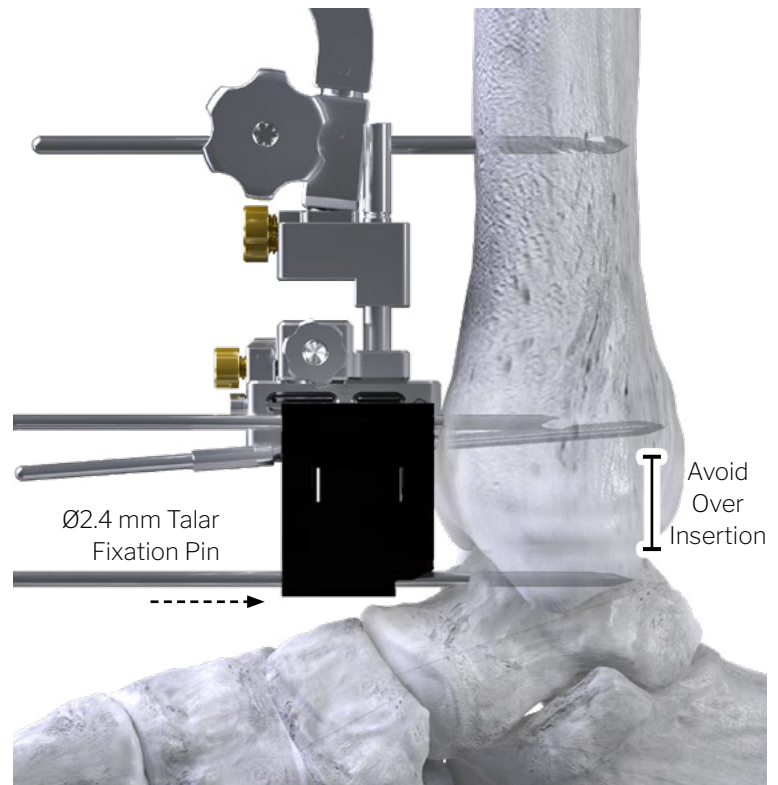


## TIBIAL BONE PREPARATION:

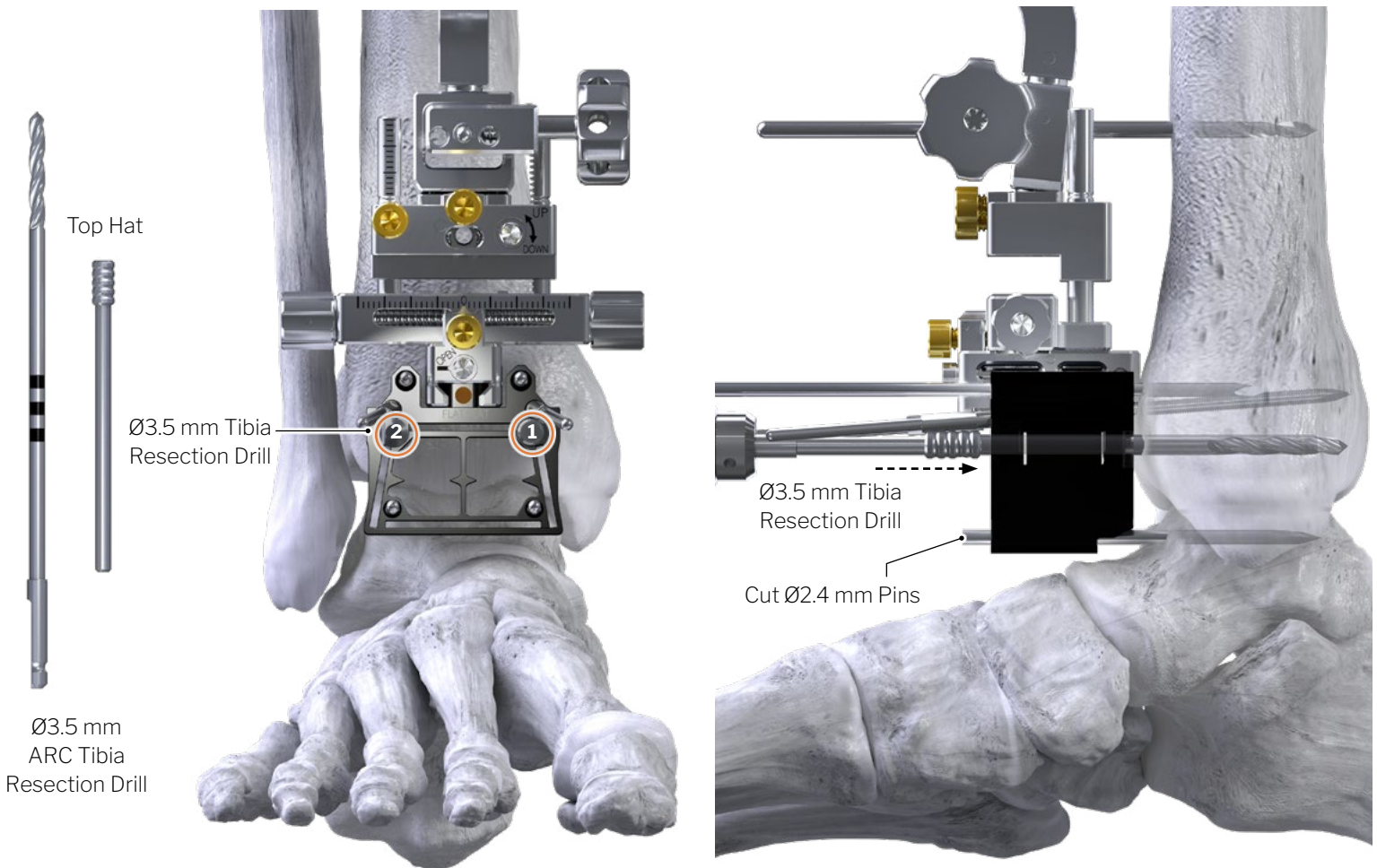


## FLAT-CUT TIBIAL BONE PREPARATION

- Slide the proximal portion of the Tibial Flat-Cut Resection Block over the two (2) Ø2.4 mm M/L guide pins and into the dovetail connection of the Alignment Construct and lock in place.
- By hand, place two (2) Ø2.4 mm x 50 mm Threaded Shouldered Pins into the proximal converging pin holes of the Resection Block for added block stability, then begin to advance under power, utilizing the T-Handle to fully seat. (DO NOT SEAT UNDER POWER)
- With the foot held 90° to the tibial axis, reduce the tibiotalar joint, then secure position by placing two (2) Ø2.4 mm x 110 mm Smooth Steinmann Pins into the talus, targeting the two distal most holes of the Resection Block, then cut with Pin Cutters.



## TIBIAL BONE PREPARATION:



### FLAT-CUT TIBIAL BONE PREPARATION

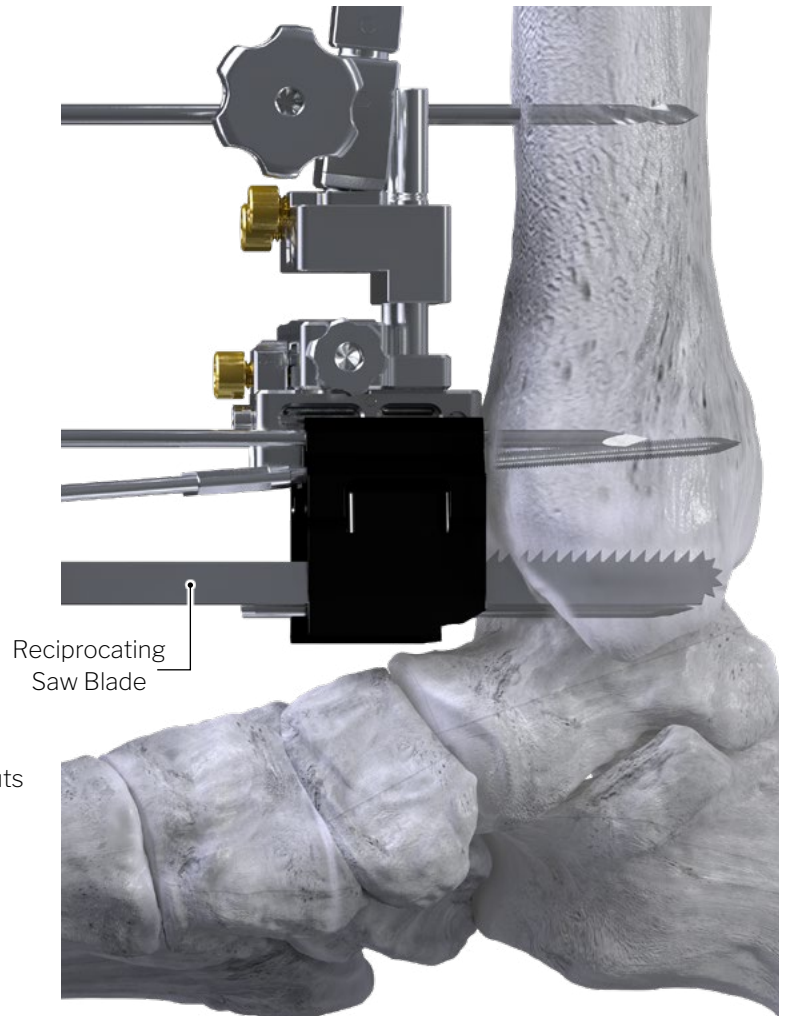
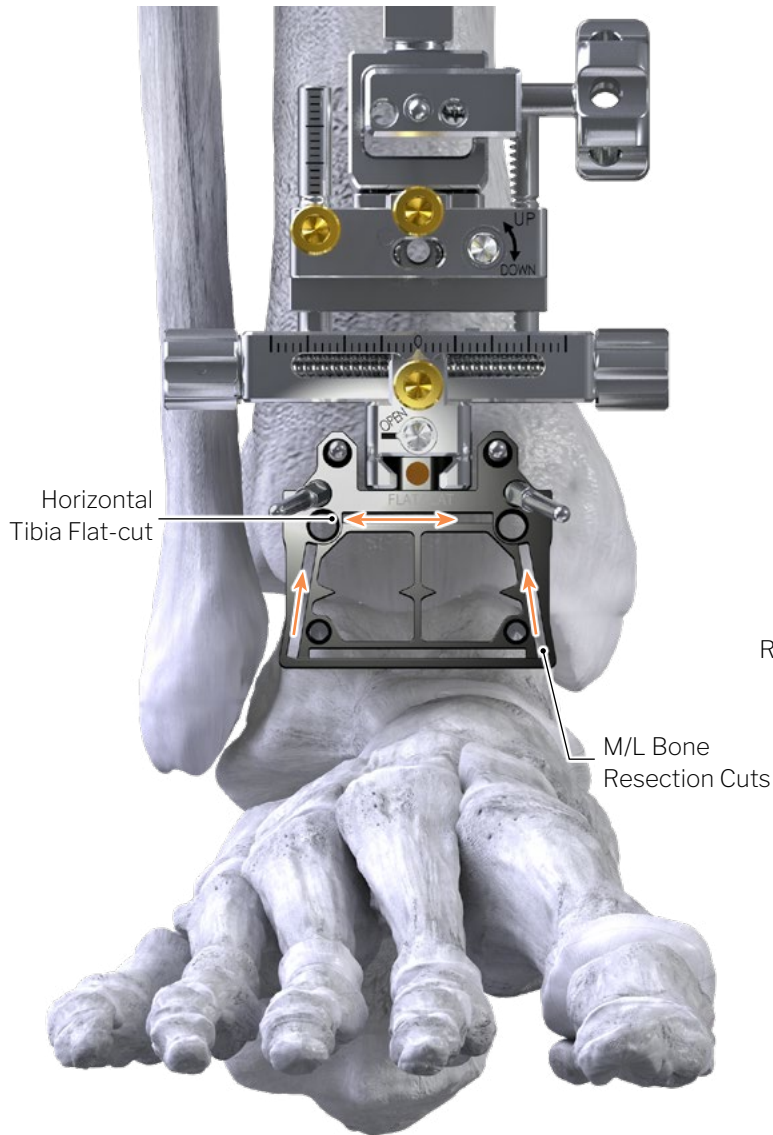
Utilizing the Ø3.5 mm Tibia Bone Resection Drill:

- Drill the medial hole bicortically, taking care not to penetrate beyond, utilizing the depth drill markers as a general reference.
- Insert Ø3.5 mm Top Hat to secure position, then drill lateral hole.



**NOTE:** Confirm the use of the 3.5 mm Tibia Bone Resection Drill which has a pointed drill end. The 3.5 Square Tip Drill has a flat drill tip and has 4 visual square markers on the distal end.

## TIBIAL BONE PREPARATION:

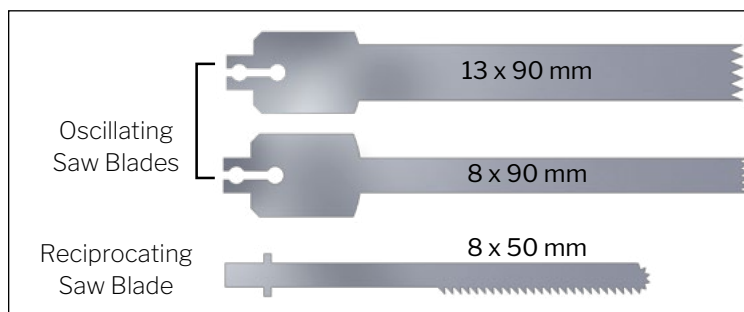


## FLAT-CUT TIBIAL BONE RESECTION - PROXIMAL CUT

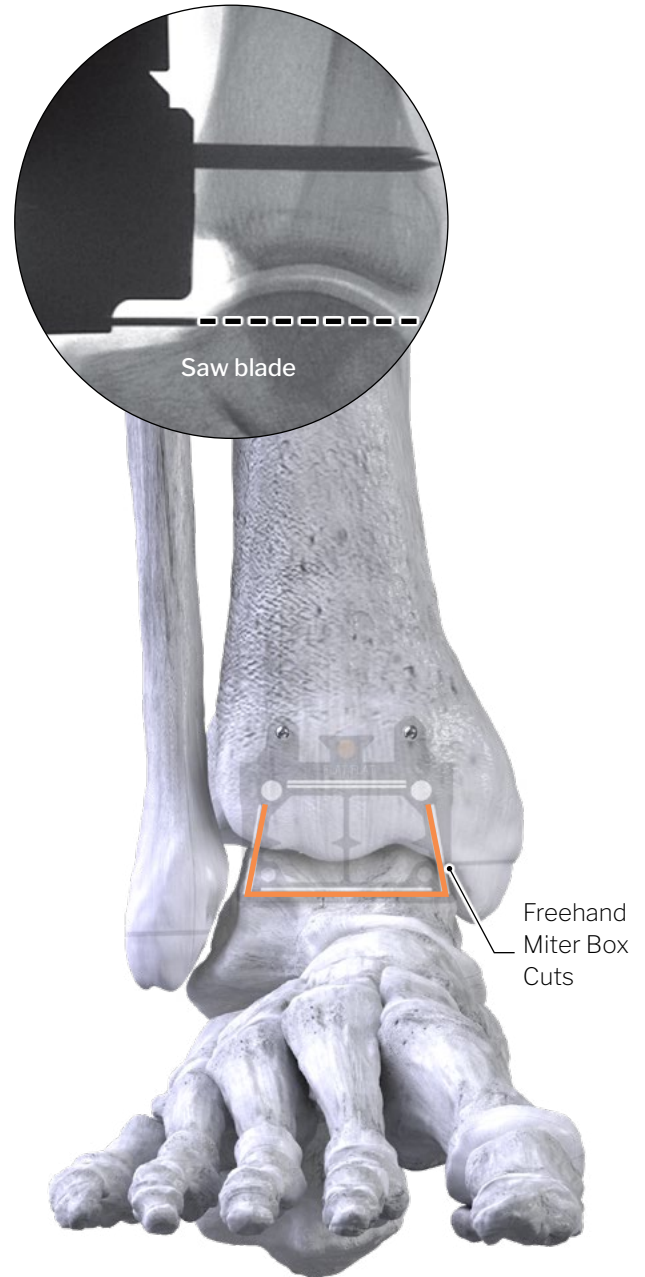
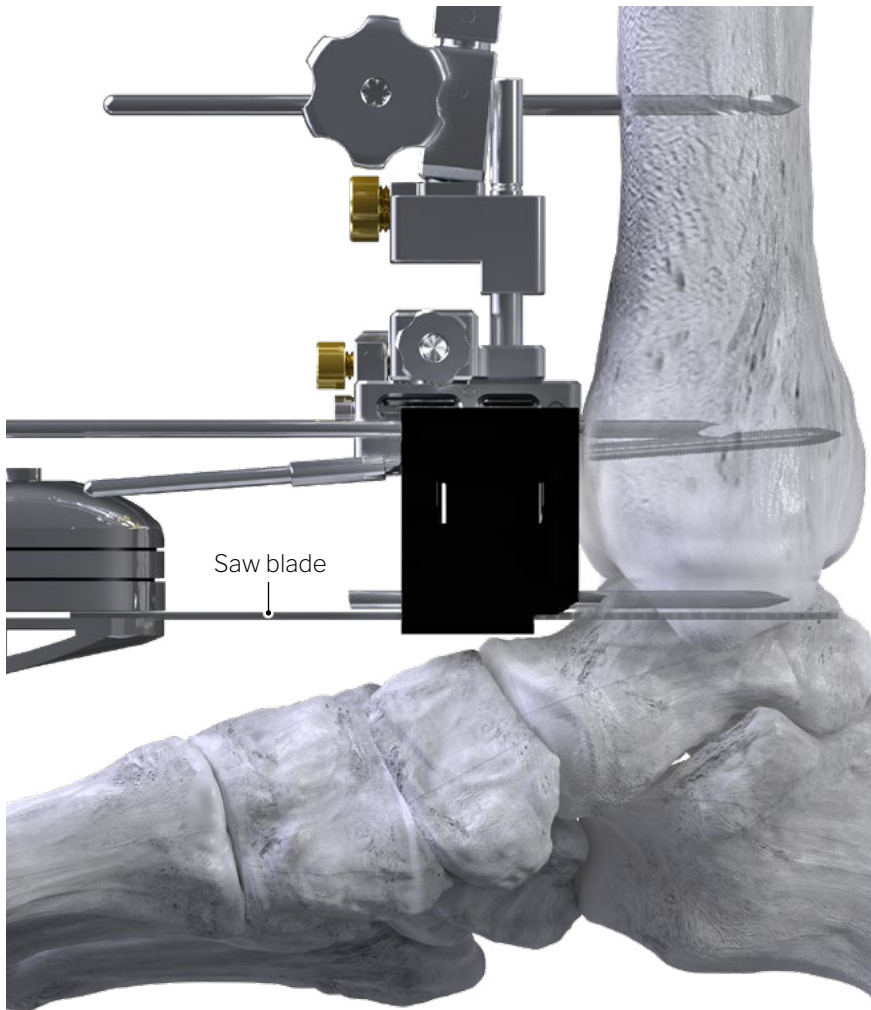
- Utilize the 13 mm x 90 mm Oscillating Saw Blade to complete the horizontal tibial flat cut across the top of the Resection Block cut slot.

## FLAT-CUT TIBIAL BONE RESECTION - M/L CUTS

- Utilize the optional 8 mm x 50 mm Reciprocating Saw Blade to complete the M/L gutter bone resection cuts, starting distally and walking the saw blade up proximally.



## TALAR BONE PREPARATION:



### FLAT-CUT – TALAR BONE RESECTION: DORSAL CUT

- Before initiating the dorsal talar flat-cut, a saw blade may be used to evaluate bone resection level under a lateral fluoroscopic view.
- Utilize the 13 x 90 mm Oscillating Saw Blade to complete the dorsal talar flat-cut through the distal cutting slot.

### FLAT-CUT – RESECTION BLOCK REMOVAL

- Remove the Threaded Shouldered Pins and Smooth Talar Pins, then the Resection Block by rotating the silver “OPEN” screw.
- Finish the tibiotalar bone preparation freehand with saw blade.
- Remove the resected talar bone.



**NOTE:** Refer to Surgical Note Tibial Bone Fragment Removal in Section 3.

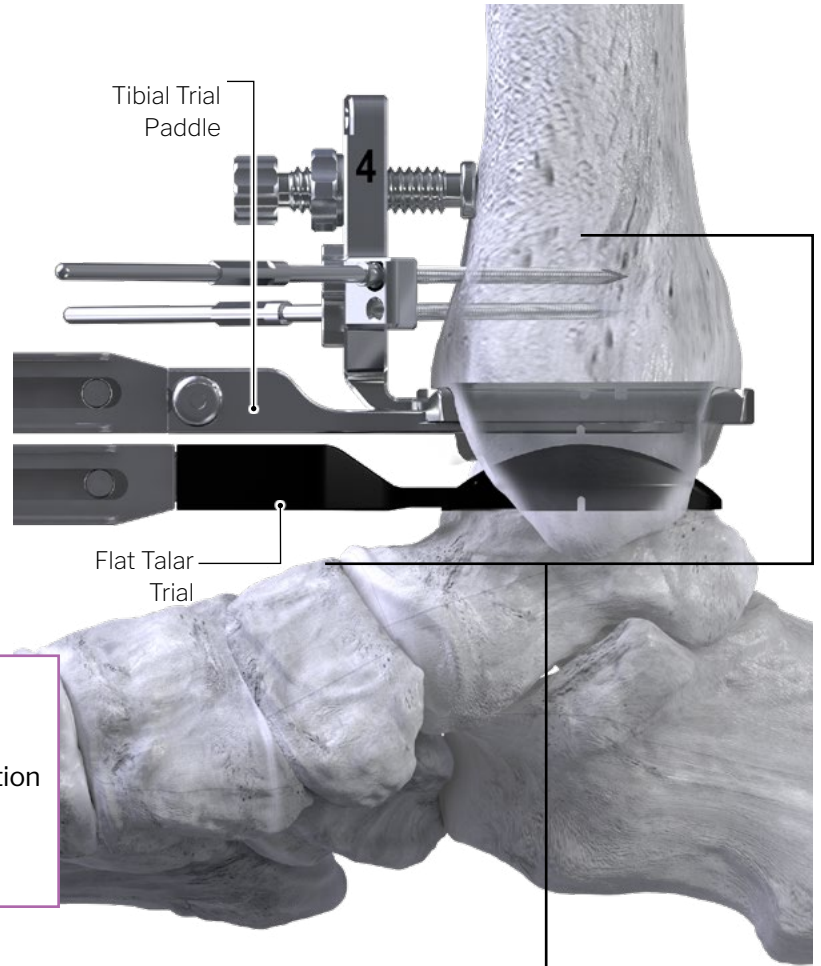


**ATTENTION:** Once this step has been completed, return to Section 4 and Section 5A/5B to complete Tibial Trail placement and Vertical Peg Bone Preparation, then return to Appendix A to complete Talar Trialing Bone Preparation.

## TALAR TRIAL PLACEMENT:

### FLAT-CUT - TALAR TRIAL PLACEMENT

- Insert the Flat Talar Trial by hand to evaluate M/L coverage.
- Ensure coverage of the medial and lateral aspect of the talus by verifying that the Trial does not impinge on the M/L gutters.
- Utilizing the Parallel Distractor, attach the appropriately sized Flat Talar Trial and standard Tibial Trial Paddle\*.
- Insert the Flat Talar Trial/Tibial Trial Paddle assembly into the resected space, matching the Tibial Paddle's connection to the inferior aspect of the Tibial Trial and the Flat Talar Trial to the resected talar bone surface.

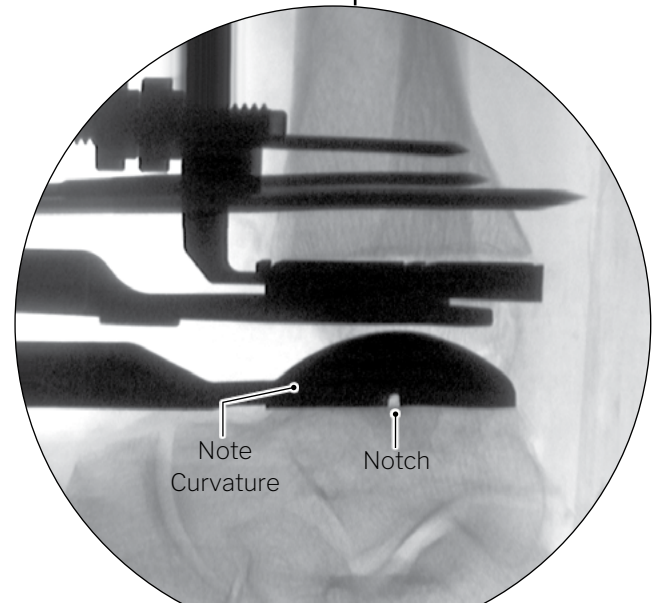


#### **NOTE:** \*Two Tibial Trial Paddle Options Exist:

- One allows for secure fit and no A/P translation
- Second allows for A/P translation

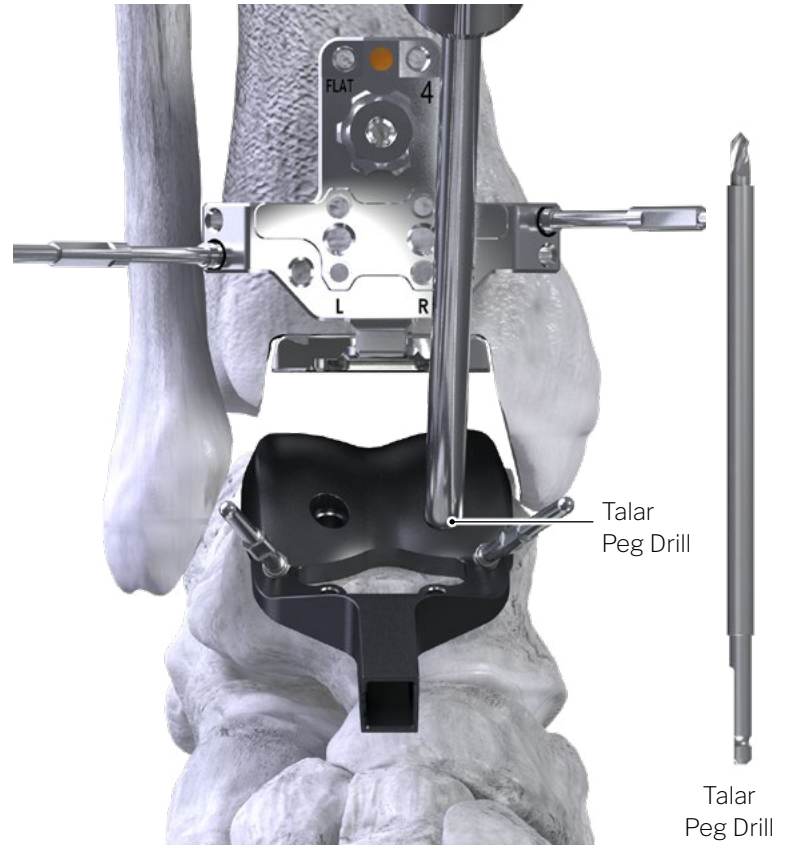
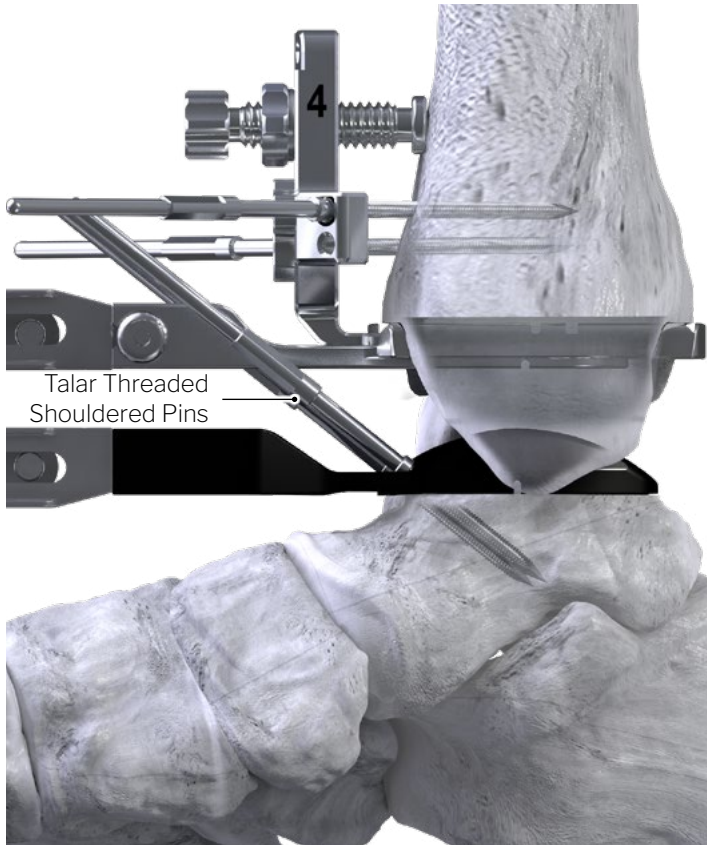
### TALAR TRIAL PLACEMENT - FLUOROSCOPIC EVALUATION

- Both visually and under a lateral fluoroscopic view, evaluate (and adjust as necessary):
  - A/P and M/L fit
  - Confirm the Trial size relative to the talar dorsal cut.
  - Ensure the Trial aligns with the vertical positioning marker on Tibial Trial or the lateral process.
  - Distract the joint by gently squeezing down on the Handle.



**NOTE:** With the Parallel Distractor in place, re-check the Talar Trial under a lateral fluoroscopy view, verify position and fit before securing position with shouldered pins. Ensure fluoroscopic notch, located on the distal aspect of the Talar Trial, is visible to verify a perfect lateral is taken. As it relates to the Tibial Trial size, the selected Talar Trial can be sized up by 1 or down without restriction to achieve appropriate coverage. If M/L coverage is appropriate, but too large in A/P, downsizing is recommended.

## TALAR TRIAL BONE PREPARATION:



### FLAT-CUT – SECURE TALAR TRIAL PLACEMENT

- Under distraction, secure the Flat Talar Trial position by placing two (2) Ø2.4 mm x 25 mm Threaded Shouldered Pins by hand into the medial/lateral holes of the Talar Trial as depicted above, then begin to advance under power, utilizing the T-Handle to fully seat. [DO NOT SEAT UNDER POWER] utilizing the T-Handle to fully seat.
- Disconnect the Distractor by holding the release button located on the device and pulling anteriorly.
- Under lateral fluoroscopic view, confirm Talar Trial is fully seated and appropriately aligned.



**NOTE:** For patients with limited plantarflexion (less than 15°), a Flat Talus Peg Punch Tool (SKU P10-844-FTPP) is available upon request. Contact your Paragon 28 Sales Representative if the instrument may be needed.

### FLAT-CUT – TALAR PEG DRILL HOLES

- Place the tibiotalar joint in slight plantarflexion to gain access to the drill holes on the anterior face of the Flat Talar Trial. If plantarflexion is insufficient, Trial the poly and use the Flat Talus Peg Punch Tool found on the next page.
- Utilize the Talar Peg Drill, drilling the medial and lateral Talar Trial peg holes until the drill shouldered bottoms out on the proximal surface of the Talar Trial. (DO NOT INSERT PEG DRILL UNDER POWER.)

### POLY TRIALING

- Insert the Talar size matched Poly Trial, utilizing the Poly Handling Tool such that the dovetail on the Poly Trial connects with the dovetail of the Tibial Trial.
- Put the tibiotalar joint through gentle range of motion evaluation to ensure adequate placement and correct Poly Trial thickness.
- Evaluate Poly Trial placement using fluoroscopy ensuring the radiopaque markers are vertically aligned.

### TRIAL REMOVAL

- Remove the Poly Trial using the Poly Handling Tool.
- Remove the four (4) Threaded Shouldered Pins from the anterior Tibial/Talar Trials. Then remove both Trials.

## BACK-TABLE: INSTRUMENT OVERVIEW:

To accommodate patients receiving a Flat Talus Implant that have limited ability to plantar flex the foot (less than  $15^\circ$ ), the Flat Talus Peg Punch Tool for preparing the talus pegs is available.

### PREP TALUS WITH LIMITED PLANTARFLEXION

- With the Flat Talus Trial in place and Poly Trialing completed, remove the Poly Trial using the Poly Handling Tool.
- Remove the Tibia Trial by removing all pins in the Tibia keeping the talar pins in place.
- With the Talar Trial in place, insert the cutting tip of the distal end of the Flat Talus Peg Punch Tool into the peg cutout of the Flat Talus Trial.
- With a mallet, impact the strike plate of the Flat Talus Peg Punch Tool until the shoulder of the cutting tip is flush with the peg cutout in the Flat Talus Trial.
- Repeat for the other peg cutout in the Flat Talus Trial
- Remove threaded shoulder pins from Talar Trial and remove trial



### FLAT TALUS PEG PUNCH FULLY INSERTED INTO TALUS TRIAL



**FLAT-CUT: FINAL IMPLANTATION:**



**ATTENTION:** For final implantation instructions, return to section 11.



## IMPLANT REMOVAL INSTRUCTIONS:

- An anterior approach to the tibiotalar joint can be used, per surgeon preference and patient need.
- Retrieve the poly handling tool. Insert the poly handling tool into the recess at the anterior aspect of the poly insert. Clamp the poly handling tool onto the poly insert until tight.
- Pull the poly insert anteriorly (or posteriorly) while the foot is maintained in a plantar flexed position until released from the tibiotalar joint. Pass from operative field.



**TIP:** Use curve osteotome with poly handling tool to disengage poly implant with leverage by squeezing the handles of both instruments to release the poly implant barb from the tibial tray.

- Retrieve an osteotome. Place the osteotome between the talus and the bone contacting surface of the anterior aspect of the talar implant. While providing a superior force on the osteotome, lift the talar implant away from the talus. If necessary, retrieve a mallet and use the mallet to disengage the talar implant from the talus. Pull the talar implant anteriorly out of the tibiotalar joint, using a forcep if necessary. Pass from the operative field.
- Using the same osteotome, place the osteotome between the tibia and the bone contacting surface of the anterior aspect of the tibial implant. While providing an inferior force on the osteotome, lift the tibial implant away from the tibia. If necessary, use the mallet to disengage the tibial implant away from the tibia. Pull the tibial implant anteriorly out of the tibiotalar joint, using a forcep if necessary. Pass from the operative field.
- Continue to revision procedure as indicated.

**INSTRUCTIONS FOR USE: APEX 3D™ TOTAL ANKLE REPLACEMENT SYSTEM**

Indications, Contraindications, Warnings and Precautions relevant to the APEX 3D™ Total Ankle Replacement System are contained in the Instructions for Use document of the APEX 3D™ Total Ankle Replacement System P10-IFU-0001.

**MRI SAFETY INFORMATION**



A patient with the Paragon 28® APEX 3D™ Total Ankle Replacement System may be safely scanned under the following conditions. Failure to follow these conditions may result in injury to the patient.

Name/Identification of device	Paragon 28® APEX 3D™ Total Ankle Replacement System
Nominal value(s) of Static Magnetic Field [T]	1.5 T or 3 T
Maximum Spatial Field Gradient [T/m and gauss/cm]	30 T/m (3000 gauss/cm)
RF Excitation	Circularly Polarized (CP)
RF Transmit Coil Type	Whole body transmit coil, Head RF transmit-receive coil
Operating Mode	Normal Operating Mode
Maximum Whole Body SAW [W/kg]	2.0 W/kg (Normal Operating Mode)
Limits on Scan Duration	2.0 W/kg whole body average SAR for 60 minutes of continuous RF (a sequence or back to back series/scan without breaks)
MR Image Artifact	The presence of this implant may produce an image artifact.
If information about a specific parameter is not included, there are no conditions associated with that parameter.	

Refer to [www.paragon28.com/ifus](http://www.paragon28.com/ifus) for the complete and most current instructions for use document.

## TIBIAL IMPLANT OPTIONS:



ARC Tibia™ Implant



Flat Tibia Implant

PART #	DESCRIPTION
P10-100-BL10-S	APEX 3D S™ ARC Tibia, Left, Size 1, Short, 3DP
P10-100-BL1L-S	APEX 3D S™ ARC Tibia, Left, Size 1, Long, 3DP
P10-100-BL1S-S	APEX 3D S™ ARC Tibia, Left, Size 1, Standard, 3DP
P10-100-BL2L-S	APEX 3D S™ ARC Tibia, Left, Size 2, Long, 3DP
P10-100-BL2S-S	APEX 3D S™ ARC Tibia, Left, Size 2, Standard, 3DP
P10-100-BL3L-S	APEX 3D S™ ARC Tibia, Left, Size 3, Long, 3DP
P10-100-BL3S-S	APEX 3D S™ ARC Tibia, Left, Size 3, Standard, 3DP
P10-100-BL4L-S	APEX 3D S™ ARC Tibia, Left, Size 4, Long, 3DP
P10-100-BL4S-S	APEX 3D S™ ARC Tibia, Left, Size 4, Standard, 3DP
P10-100-BL5L-S	APEX 3D S™ ARC Tibia, Left, Size 5, Long, 3DP
P10-100-BL5S-S	APEX 3D S™ ARC Tibia, Left, Size 5, Standard, 3DP
P10-100-BL6L-S	APEX 3D S™ ARC Tibia, Left, Size 6, Long, 3DP
P10-100-BL6S-S	APEX 3D S™ ARC Tibia, Left, Size 6, Standard, 3DP
P10-100-BR10-S	APEX 3D S™ ARC Tibia, Right, Size 1, Short, 3DP
P10-100-BR1L-S	APEX 3D S™ ARC Tibia, Right, Size 1, Long, 3DP
P10-100-BR1S-S	APEX 3D S™ ARC Tibia, Right, Size 1, Standard, 3DP
P10-100-BR2L-S	APEX 3D S™ ARC Tibia, Right, Size 2, Long, 3DP
P10-100-BR2S-S	APEX 3D S™ ARC Tibia, Right, Size 2, Standard, 3DP
P10-100-BR3L-S	APEX 3D S™ ARC Tibia, Right, Size 3, Long, 3DP
P10-100-BR3S-S	APEX 3D S™ ARC Tibia, Right, Size 3, Standard, 3DP
P10-100-BR4L-S	APEX 3D S™ ARC Tibia, Right, Size 4, Long, 3DP
P10-100-BR4S-S	APEX 3D S™ ARC Tibia, Right, Size 4, Standard, 3DP
P10-100-BR5L-S	APEX 3D S™ ARC Tibia, Right, Size 5, Long, 3DP
P10-100-BR5S-S	APEX 3D S™ ARC Tibia, Right, Size 5, Standard, 3DP
P10-100-BR6L-S	APEX 3D S™ ARC Tibia, Right, Size 6, Long, 3DP
P10-100-BR6S-S	APEX 3D S™ ARC Tibia, Right, Size 6, Standard, 3DP

PART #	DESCRIPTION
P10-101-BL10-S	APEX 3D S™ Tibia, Flat, Left, Size 1, Short, 3DP
P10-101-BL1L-S	APEX 3D S™ Tibia, Flat, Left, Size 1, Long, 3DP
P10-101-BL1S-S	APEX 3D S™ Tibia, Flat, Left, Size 1, Standard, 3DP
P10-101-BL2L-S	APEX 3D S™ Tibia, Flat, Left, Size 2, Long, 3DP
P10-101-BL2S-S	APEX 3D S™ Tibia, Flat, Left, Size 2, Standard, 3DP
P10-101-BL3L-S	APEX 3D S™ Tibia, Flat, Left, Size 3, Long, 3DP
P10-101-BL3S-S	APEX 3D S™ Tibia, Flat, Left, Size 3, Standard, 3DP
P10-101-BL4L-S	APEX 3D S™ Tibia, Flat, Left, Size 4, Long, 3DP
P10-101-BL4S-S	APEX 3D S™ Tibia, Flat, Left, Size 4, Standard, 3DP
P10-101-BL5L-S	APEX 3D S™ Tibia, Flat, Left, Size 5, Long, 3DP
P10-101-BL5S-S	APEX 3D S™ Tibia, Flat, Left, Size 5, Standard, 3DP
P10-101-BL6L-S	APEX 3D S™ Tibia, Flat, Left, Size 6, Long, 3DP
P10-101-BL6S-S	APEX 3D S™ Tibia, Flat, Left, Size 6, Standard, 3DP
P10-101-BR10-S	APEX 3D S™ Tibia, Flat, Right, Size 1, Short, 3DP
P10-101-BR1L-S	APEX 3D S™ Tibia, Flat, Right, Size 1, Long, 3DP
P10-101-BR1S-S	APEX 3D S™ Tibia, Flat, Right, Size 1, Standard, 3DP
P10-101-BR2L-S	APEX 3D S™ Tibia, Flat, Right, Size 2, Long, 3DP
P10-101-BR2S-S	APEX 3D S™ Tibia, Flat, Right, Size 2, Standard, 3DP
P10-101-BR3L-S	APEX 3D S™ Tibia, Flat, Right, Size 3, Long, 3DP
P10-101-BR3S-S	APEX 3D S™ Tibia, Flat, Right, Size 3, Standard, 3DP
P10-101-BR4L-S	APEX 3D S™ Tibia, Flat, Right, Size 4, Long, 3DP
P10-101-BR4S-S	APEX 3D S™ Tibia, Flat, Right, Size 4, Standard, 3DP
P10-101-BR5L-S	APEX 3D S™ Tibia, Flat, Right, Size 5, Long, 3DP
P10-101-BR5S-S	APEX 3D S™ Tibia, Flat, Right, Size 5, Standard, 3DP
P10-101-BR6L-S	APEX 3D S™ Tibia, Flat, Right, Size 6, Long, 3DP
P10-101-BR6S-S	APEX 3D S™ Tibia, Flat, Right, Size 6, Standard, 3DP

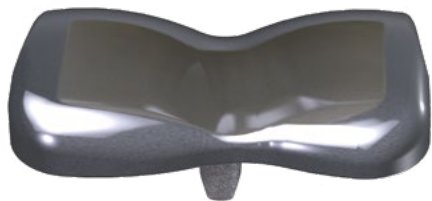
## VITAMIN E POLY INSERT OPTIONS



Poly Insert

PART #	DESCRIPTION
P10-310-I106-S	APEX 3D™ Cross-linked Vitamin E POLY, SIZE 1 x 6 mm, Neutral
P10-310-I107-S	APEX 3D™ Cross-linked Vitamin E POLY, SIZE 1 x 7 mm, Neutral
P10-310-I108-S	APEX 3D™ Cross-linked Vitamin E POLY, SIZE 1 x 8 mm, Neutral
P10-310-I109-S	APEX 3D™ Cross-linked Vitamin E POLY, SIZE 1 x 9 mm, Neutral
P10-310-I110-S	APEX 3D™ Cross-linked Vitamin E POLY, SIZE 1 x 10 mm, Neutral
P10-310-I111-S	APEX 3D™ Cross-linked Vitamin E POLY, SIZE 1 x 11 mm, Neutral
P10-310-I112-S	APEX 3D™ Cross-linked Vitamin E POLY, SIZE 1 x 12 mm, Neutral
P10-310-I206-S	APEX 3D™ Cross-linked Vitamin E POLY, SIZE 2 x 6 mm, Neutral
P10-310-I207-S	APEX 3D™ Cross-linked Vitamin E POLY, SIZE 2 x 7 mm, Neutral
P10-310-I208-S	APEX 3D™ Cross-linked Vitamin E POLY, SIZE 2 x 8 mm, Neutral
P10-310-I209-S	APEX 3D™ Cross-linked Vitamin E POLY, SIZE 2 x 9 mm, Neutral
P10-310-I210-S	APEX 3D™ Cross-linked Vitamin E POLY, SIZE 2 x 10 mm, Neutral
P10-310-I211-S	APEX 3D™ Cross-linked Vitamin E POLY, SIZE 2 x 11 mm, Neutral
P10-310-I212-S	APEX 3D™ Cross-linked Vitamin E POLY, SIZE 2 x 12 mm, Neutral
P10-310-I306-S	APEX 3D™ Cross-linked Vitamin E POLY, SIZE 3 x 6 mm, Neutral
P10-310-I307-S	APEX 3D™ Cross-linked Vitamin E POLY, SIZE 3 x 7 mm, Neutral
P10-310-I308-S	APEX 3D™ Cross-linked Vitamin E POLY, SIZE 3 x 8 mm, Neutral
P10-310-I309-S	APEX 3D™ Cross-linked Vitamin E POLY, SIZE 3 x 9 mm, Neutral
P10-310-I310-S	APEX 3D™ Cross-linked Vitamin E POLY, SIZE 3 x 10 mm, Neutral
P10-310-I311-S	APEX 3D™ Cross-linked Vitamin E POLY, SIZE 3 x 11 mm, Neutral
P10-310-I312-S	APEX 3D™ Cross-linked Vitamin E POLY, SIZE 3 x 12 mm, Neutral
P10-310-I406-S	APEX 3D™ Cross-linked Vitamin E POLY, SIZE 4 x 6 mm, Neutral
P10-310-I407-S	APEX 3D™ Cross-linked Vitamin E POLY, SIZE 4 x 7 mm, Neutral
P10-310-I408-S	APEX 3D™ Cross-linked Vitamin E POLY, SIZE 4 x 8 mm, Neutral
P10-310-I409-S	APEX 3D™ Cross-linked Vitamin E POLY, SIZE 4 x 9 mm, Neutral
P10-310-I410-S	APEX 3D™ Cross-linked Vitamin E POLY, SIZE 4 x 10 mm, Neutral
P10-310-I411-S	APEX 3D™ Cross-linked Vitamin E POLY, SIZE 4 x 11 mm, Neutral
P10-310-I412-S	APEX 3D™ Cross-linked Vitamin E POLY, SIZE 4 x 12 mm, Neutral
P10-310-I506-S	APEX 3D™ Cross-linked Vitamin E POLY, SIZE 5 x 6 mm, Neutral
P10-310-I507-S	APEX 3D™ Cross-linked Vitamin E POLY, SIZE 5 x 7 mm, Neutral
P10-310-I508-S	APEX 3D™ Cross-linked Vitamin E POLY, SIZE 5 x 8 mm, Neutral
P10-310-I509-S	APEX 3D™ Cross-linked Vitamin E POLY, SIZE 5 x 9 mm, Neutral
P10-310-I510-S	APEX 3D™ Cross-linked Vitamin E POLY, SIZE 5 x 10 mm, Neutral
P10-310-I511-S	APEX 3D™ Cross-linked Vitamin E POLY, SIZE 5 x 11 mm, Neutral
P10-310-I512-S	APEX 3D™ Cross-linked Vitamin E POLY, SIZE 5 x 12 mm, Neutral

## TALAR DOME OPTIONS:



Chamfer Talar Implant



Flat Talar Implant

PART #	DESCRIPTION
P10-250-TLL0-S	APEX 3D™ Talus, Chamfer, Left, Size 1 Narrow, TPS
P10-250-TLL1-S	APEX 3D™ Talus, Chamfer, Left, Size 1, TPS
P10-250-TLL2-S	APEX 3D™ Talus, Chamfer, Left, Size 2, TPS
P10-250-TLL3-S	APEX 3D™ Talus, Chamfer, Left, Size 3, TPS
P10-250-TLL4-S	APEX 3D™ Talus, Chamfer, Left, Size 4, TPS
P10-250-TLL5-S	APEX 3D™ Talus, Chamfer, Left, Size 5, TPS
P10-250-TLR0-S	APEX 3D™ Talus, Chamfer, Right, Size 1 Narrow, TPS
P10-250-TLR1-S	APEX 3D™ Talus, Chamfer, Right, Size 1, TPS
P10-250-TLR2-S	APEX 3D™ Talus, Chamfer, Right, Size 2, TPS
P10-250-TLR3-S	APEX 3D™ Talus, Chamfer, Right, Size 3, TPS
P10-250-TLR4-S	APEX 3D™ Talus, Chamfer, Right, Size 4, TPS
P10-250-TLR5-S	APEX 3D™ Talus, Chamfer, Right, Size 5, TPS

PART #	DESCRIPTION
P10-251-TLL0-S	APEX 3D™ Talus, Flat, Left, Size 1 Narrow, TPS
P10-251-TLL1-S	APEX 3D™ Talus, Flat, Left, Size 1, TPS
P10-251-TLL2-S	APEX 3D™ Talus, Flat, Left, Size 2, TPS
P10-251-TLL3-S	APEX 3D™ Talus, Flat, Left, Size 3, TPS
P10-251-TLL4-S	APEX 3D™ Talus, Flat, Left, Size 4, TPS
P10-251-TLL5-S	APEX 3D™ Talus, Flat, Left, Size 5, TPS
P10-251-TLR0-S	APEX 3D™ Talus, Flat, Right, Size 1 Narrow, TPS
P10-251-TLR1-S	APEX 3D™ Talus, Flat, Right, Size 1, TPS
P10-251-TLR2-S	APEX 3D™ Talus, Flat, Right, Size 2, TPS
P10-251-TLR3-S	APEX 3D™ Talus, Flat, Right, Size 3, TPS
P10-251-TLR4-S	APEX 3D™ Talus, Flat, Right, Size 4, TPS
P10-251-TLR5-S	APEX 3D™ Talus, Flat, Right, Size 5, TPS

PART #	DESCRIPTION
P10-200-TLL0-S	APEX 3D™ Talus, Chamfer, Left, Size 1 Narrow, DB
P10-200-TLL1-S	APEX 3D™ Talus, Chamfer, Left, Size 1, DB
P10-200-TLL2-S	APEX 3D™ Talus, Chamfer, Left, Size 2, DB
P10-200-TLL3-S	APEX 3D™ Talus, Chamfer, Left, Size 3, DB
P10-200-TLL4-S	APEX 3D™ Talus, Chamfer, Left, Size 4, DB
P10-200-TLL5-S	APEX 3D™ Talus, Chamfer, Left, Size 5, DB
P10-200-TLR0-S	APEX 3D™ Talus, Chamfer, Right, Size 1 Narrow, DB
P10-200-TLR1-S	APEX 3D™ Talus, Chamfer, Right, Size 1, DB
P10-200-TLR2-S	APEX 3D™ Talus, Chamfer, Right, Size 2, DB
P10-200-TLR3-S	APEX 3D™ Talus, Chamfer, Right, Size 3, DB
P10-200-TLR4-S	APEX 3D™ Talus, Chamfer, Right, Size 4, DB
P10-200-TLR5-S	APEX 3D™ Talus, Chamfer, Right, Size 5, DB

PART #	DESCRIPTION
P10-201-TLL0-S	APEX 3D™ Talus, Flat, Left, Size 1 Narrow, DB
P10-201-TLL1-S	APEX 3D™ Talus, Flat, Left, Size 1, DB
P10-201-TLL2-S	APEX 3D™ Talus, Flat, Left, Size 2, DB
P10-201-TLL3-S	APEX 3D™ Talus, Flat, Left, Size 3, DB
P10-201-TLL4-S	APEX 3D™ Talus, Flat, Left, Size 4, DB
P10-201-TLL5-S	APEX 3D™ Talus, Flat, Left, Size 5, DB
P10-201-TLR0-S	APEX 3D™ Talus, Flat, Right, Size 1 Narrow, DB
P10-201-TLR1-S	APEX 3D™ Talus, Flat, Right, Size 1, DB
P10-201-TLR2-S	APEX 3D™ Talus, Flat, Right, Size 2, DB
P10-201-TLR3-S	APEX 3D™ Talus, Flat, Right, Size 3, DB
P10-201-TLR4-S	APEX 3D™ Talus, Flat, Right, Size 4, DB
P10-201-TLR5-S	APEX 3D™ Talus, Flat, Right, Size 5, DB

### IMPLANT SIZE OFFERING & INTERCHANGEABILITY:

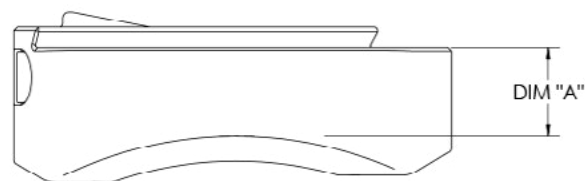
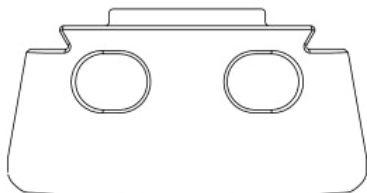
		TALUS (CHAMFER AND FLAT)					
		1N (Narrow)	1	2	3	4	5
TIBIA (ARC TIBIA™ & FLAT)	1 Short	1	1	2			
	1 Standard	1	1	2			
	1 Long	1	1	2			
	2 Standard	1	1	2	3		
	2 Long	1	1	2	3		
	3 Standard	1	1	2	3	4	
	3 Long	1	1	2	3	4	
	4 Standard	1	1	2	3	4	5
	4 Long	1	1	2	3	4	5
	5 Standard	1	1	2	3	4	5
	5 Long	1	1	2	3	4	5
	6 Standard	1	1	2	3	4	5
6 Long	1	1	2	3	4	5	

\*All numbers listed in Plum are the compatible polyethylene sizes.

### IMPLANT SPECS - VITAMIN E INSERT:

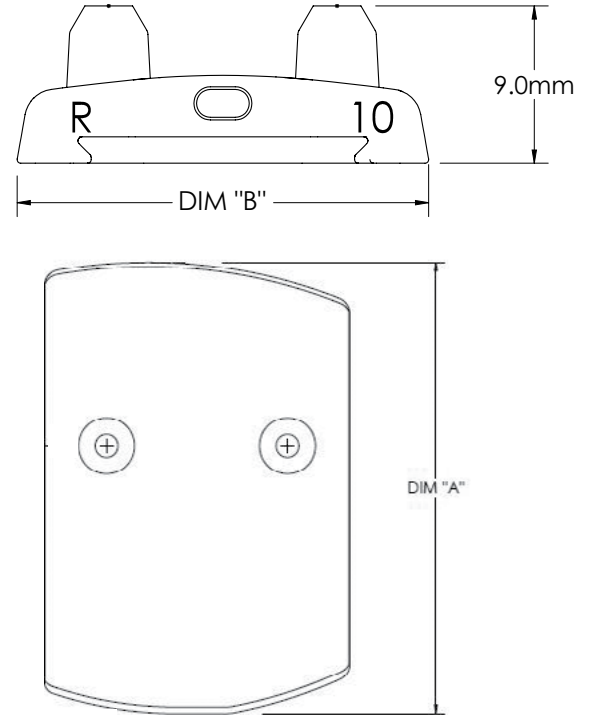
PART #	CONFIGURATION	DIM "A" [MM]	PART #	CONFIGURATION	DIM "A" [MM]	PART #	CONFIGURATION	DIM "A" [MM]
P10-310-I106	Size 1, 6mm	6.0	P10-310-I206	Size 2, 6mm	6.0	P10-310-I306	Size 3, 6mm	6.0
P10-310-I107	Size 1, 7mm	7.0	P10-310-I207	Size 2, 7mm	7.0	P10-310-I307	Size 3, 7mm	7.0
P10-310-I108	Size 1, 8mm	8.0	P10-310-I208	Size 2, 8mm	8.0	P10-310-I308	Size 3, 8mm	8.0
P10-310-I109	Size 1, 9mm	9.0	P10-310-I209	Size 2, 9mm	9.0	P10-310-I309	Size 3, 9mm	9.0
P10-310-I110	Size 1, 10mm	10.0	P10-310-I210	Size 2, 10mm	10.0	P10-310-I310	Size 3, 10mm	10.0
P10-310-I111	Size 1, 11mm	11.0	P10-310-I211	Size 2, 11mm	11.0	P10-310-I311	Size 3, 11mm	11.0
P10-310-I112	Size 1, 12mm	12.0	P10-310-I212	Size 2, 12mm	12.0	P10-310-I312	Size 3, 12mm	12.0

PART #	CONFIGURATION	DIM "A" [MM]	PART #	CONFIGURATION	DIM "A" [MM]
P10-310-I406	Size 4, 6mm	6.0	P10-310-I506	Size 5, 6mm	6.0
P10-310-I407	Size 4, 7mm	7.0	P10-310-I507	Size 5, 7mm	7.0
P10-310-I408	Size 4, 8mm	8.0	P10-310-I508	Size 5, 8mm	8.0
P10-310-I409	Size 4, 9mm	9.0	P10-310-I509	Size 5, 9mm	9.0
P10-310-I410	Size 4, 10mm	10.0	P10-310-I510	Size 5, 10mm	10.0
P10-310-I411	Size 4, 11mm	11.0	P10-310-I511	Size 5, 11mm	11.0
P10-310-I412	Size 4, 12mm	12.0	P10-310-I512	Size 5, 12mm	12.0



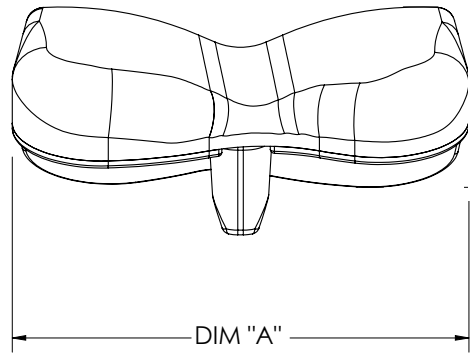
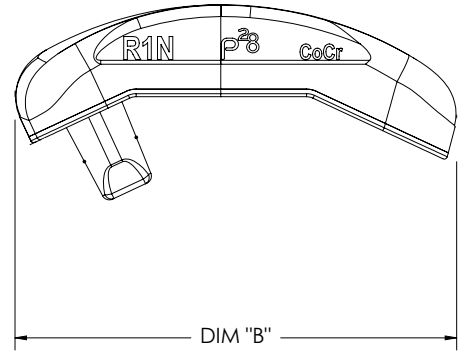
## IMPLANT SPECS - TIBIAL TRAY:

PART #	CONFIGURATION	DIM "A" [MM]	DIM "B" [MM]
P10-100-BR10	Size 1 - Short	31.0	23.5
P10-100-BR1S	Size 1 - Standard	34.0	23.5
P10-100-BR1L	Size 1 - Long	37.0	23.5
P10-100-BR2S	Size 2 - Standard	37.0	25.9
P10-100-BR2L	Size 2 - Long	40.0	25.9
P10-100-BR3S	Size 3 - Standard	40.0	28.3
P10-100-BR3L	Size 3 - Long	43.0	28.3
P10-100-BR4S	Size 4 - Standard	43.0	30.7
P10-100-BR4L	Size 4 - Long	46.0	30.7
P10-100-BR5S	Size 5 - Standard	46.0	33.1
P10-100-BR5L	Size 5 - Long	49.0	33.1
P10-100-BR6S	Size 6 - Standard	49.0	35.5
P10-100-BR6L	Size 6 - Long	52.0	35.5

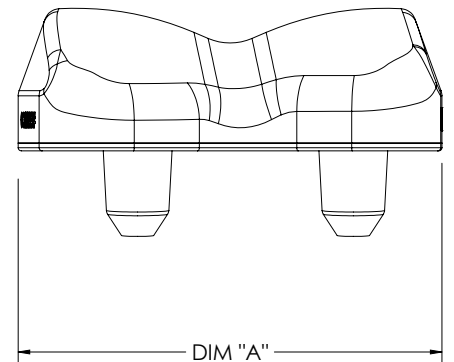
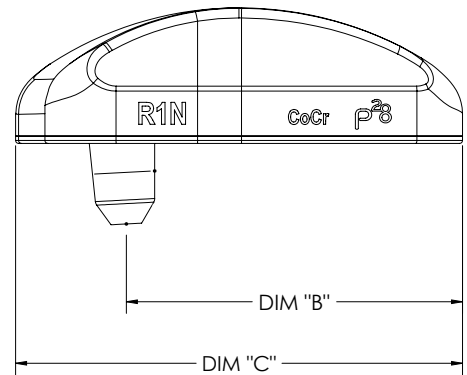


## IMPLANT SPECS - TALAR DOME:

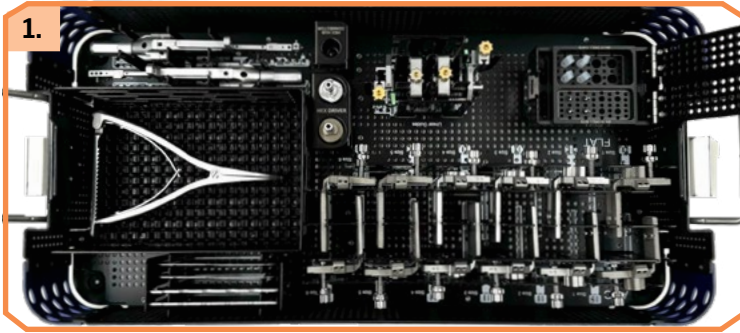
PART #	CONFIGURATION	DIM "A" [MM]	DIM "B" [MM]
P10-2X0-TLR0	Size 1 N	25.5	28.1
P10-2X0-TLR1	Size 1	27.0	29.2
P10-2X0-TLR2	Size 2	29.3	31.2
P10-2X0-TLR3	Size 3	31.5	33.1
P10-2X0-TLR4	Size 4	33.8	35.0
P10-2X0-TLR5	Size 5	36.0	36.8



PART #	CONFIGURATION	DIM "A" [MM]	DIM "B" [MM]	DIM "C" [MM]
P10-2X1-TLR0	Size 1N	27.5	22.9	30.5
P10-2X1-TLR1	Size 1	29.0	23.2	31.2
P10-2X1-TLR2	Size 2	31.3	24.8	33.0
P10-2X1-TLR3	Size 3	33.6	25.6	34.5
P10-2X1-TLR4	Size 4	35.8	26.5	36.4
P10-2X1-TLR5	Size 5	38.0	27.3	38.0



## RIGHT ANGLE DRILL INSTRUMENT CASE:

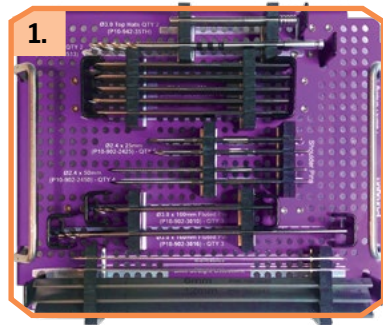


### RIGHT ANGLE DRILL TOOLS INCLUDING:

- Right Angle Drills Left and Right, Drill Bits, Drill Bit Caps, Linear Guides, Wrench, ARC Tibia™ / Flat Tibia Sizing Trials, Talar Shims, Lamina Spreader, and Hex Socket Driver are located within this tray.

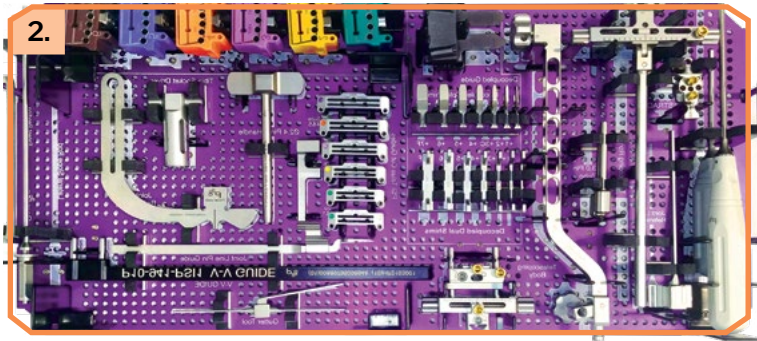
## ALIGNMENT CASE & TRAY INSERTS:

### ALIGNMENT CASE – TOP

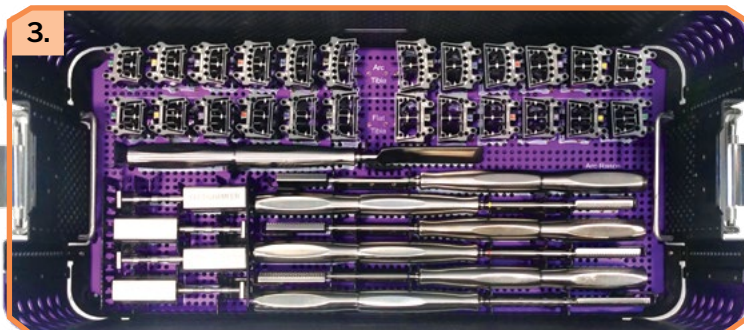


### TRADITIONAL ALIGNMENT CONSTRUCT INCLUDING:

- Hex Driver, Telescoping Shaft & Distal Control Body, Joint Line Pointer, Reference Wing & Lateral Slope Rod, Sizing Resection Blocks and a Decoupled Resection Block with Shims are located within this top case insert, Smooth, Fluted & Threaded Shouldered Fixation Pins, Top Hat and three (3) Osteotome options also included.



### ALIGNMENT CASE – BOTTOM

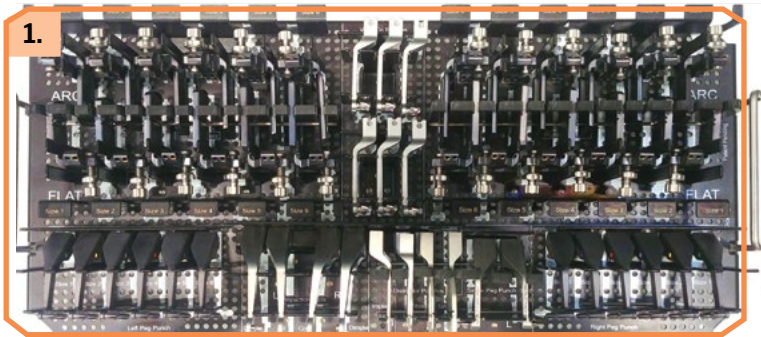


### TIBIAL BONE PREPARATION INSTRUMENTS INCLUDING:

- ARC Tibia™ & Flat Tibia Coupled Resection Blocks, ARC Tibia Osteotome & Rasps, and Tibiotalar Gap Checkers are located within this bottom case insert.

## RESECTION CASE & TRAY INSERTS:

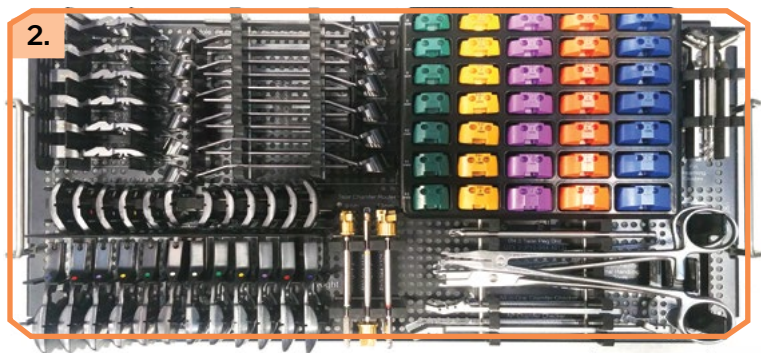
### RESECTION CASE – TOP



#### TIBIAL SIZING GUIDES & VERTICAL PEG PREPARATION INSTRUMENTS INCLUDING:

- Left & Right ARC Tibia™ / Flat Tibia Sizing Trials, and Viper Tip, Distraction & Impaction Paddles are located within this top case insert.

### RESECTION CASE – BOTTOM

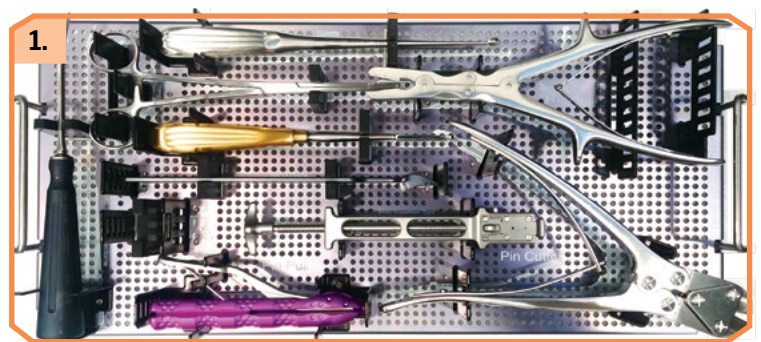


#### TALAR SIZING GUIDES & BONE PREPARATION INSTRUMENTS INCLUDING:

- Chamfer & Flat Sizing Guides, Reamers, Fin Towers, Peg Drills, Resection Checkers and implant Trials are located within this bottom case insert, as well as color coded Poly Trials & Handling Tools.

## LARGE INSTRUMENT CASE & TRAY INSERTS:

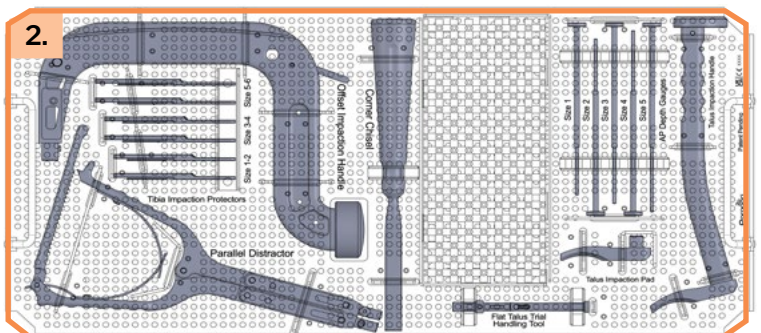
### LARGE INSTRUMENT CASE – TOP



#### TIBIOTALAR BONE PREPARATION INCLUDING:

- Curved Tipped Osteotome, Gold Rasp, Square Tip Rongeur, Poly Implant Insertion Tool, Pin Cutter & Puller are located within this top case insert.

### LARGE INSTRUMENT CASE – BOTTOM



#### IMPACTION TOOLS INCLUDING:

- Parallel Distractor, Offset Impaction Handle, Tibia Implant Protectors, Talar Impaction Handle, ARC Polishing Blocks, Corner Chisel, Flat Talus Trial Handling Tool, and Depth Gauges are located within this bottom case insert.

## RIGHT ANGLE DRILL CASE CONTENTS:

PART #	DESCRIPTION	USE
P10-854-RAD1	Total Ankle Instrument, Right Angle Drill, Right	Re-usable
P10-854-RAD2	Total Ankle Instrument, Right Angle Drill, Left	Re-usable
P10-854-RAD1-5	Total Ankle Instrument, Right Angle Drill, Ø4.15 Bit	Single-Use
P10-854-C042	Total Ankle Instrument, Ø4.15 Drill Cap	Single-Use
P10-854-LG10	Total Ankle Instrument, Linear Guide	Re-usable
P10-854-WR01	Total Ankle Instrument, Wrench	Re-usable
P10-812-TB[1-6]U	Size specific Arc Tibia Trial	Re-usable
P10-813-TB[1-6]U	Size specific Flat Tibia Trial	Re-usable
P11-TSH-2530	Complex Total Ankle Instrument, Shim, Talar	Re-usable
P99-150-0030	General Instrument, Lamina Spreader	Re-usable
P11-854-RAD1-17	Right Angle Drill - Hex Socket Driver	Re-usable

## ALIGNMENT CASE CONTENTS:

PART #	DESCRIPTION	USE
P10-901-24TH	T-Handle	Reusable
P10-901-OS01	Tibial Osteotome, ARC	Reusable
P10-901-RGA1	Resection Gap Checker, ARC/Chamfer-Cut	Reusable
P10-901-RGA2	Resection Gap Checker, ARC/Flat-Cut	Reusable
P10-901-RGF1	Resection Gap Checker, FLAT/Chamfer-Cut	Reusable
P10-901-RGF2	Resection Gap Checker, FLAT/Flat-Cut	Reusable
P10-901-RSP[1-6]	Tibial Rasp, ARC, Size 1-6	Reusable
P10-902-3010	Ø3.0 Pin, 316LVM, Fluted, 100 mm	Single-Use
P10-902-3016	Ø3.0 Pin, 316LVM, Fluted, 160 mm	Single-Use
P10-902-2425	Shoulder Threaded Pin 2.4 x 25 mm	Single-Use
P10-912-2450	Shoulder Threaded Pin 2.4 x 50 mm	Single-Use
P10-940-JL01	Joint-Line, Pin-Guide	Reusable
P10-940-JL10	Joint-Line, Pin Tube	Reusable
P10-941-AL01	Tibial Alignment Guide, Telescoping Rod	Reusable
P10-941-AL02	Tibial Alignment Guide, Telescoping Base	Reusable
P10-941-AL03	Tibial Alignment Guide, Distal Body	Reusable
P10-941-AL04	Tibial Alignment Guide, Lateral Rod	Reusable
P10-941-AL05	Tibial Alignment Guide, Fast-Track	Reusable
P10-841-AL07	Tibial Alignment Guide, Joint Line Pointer ("JLP"), GEN II	Reusable
P10-841-AW01	Alignment Wing, Gen II	Reusable
P10-941-PSI1	V-V Alignment Guide	Reusable
P10-942-3513	Arc Resection Drill, SS, Ø3.5 mm	Single-use
P10-942-35TH	Top Hat, SS, Ø3.5 mm	Reusable
P10-942-DT0[1-3, 7]	Decoupled Talar Resection, Shim, 1, 2, 3, 7 mm	Reusable
P10-942-DT1[1-3]	Decoupled Talar Resection, Split Shim, 1-3 mm	Reusable
P10-942-DTSM	Decoupled Talar Resection, Body, Small	Reusable
P10-942-FL0[1-6]	Coupled Resection Block, FLAT/Chamfer-Cut, Size 1-6	Reusable
P10-942-FL1[1-6]	Coupled Resection Block, FLAT/Flat-Cut, Size 1-6	Reusable
P10-942-RS0[1-6]	Coupled Resection Block, ARC/Chamfer-Cut, Size 1-6	Reusable
P10-942-RS1[1-6]	Coupled Resection Block, ARC/Flat-Cut, Size 1-6	Reusable
P10-942-SZ0[1-6]	Sizing Resection Block, Size 1-6	Reusable
P10-944-PSI0	Talar PSI Resection Block, Size 1N	Reusable
P10-944-PSI[1-6]	Talar PSI Resection Block, Size 1-5	Reusable
P99-150-0040	Osteotome, Straight, 6 mm	Reusable
P99-150-0041	Osteotome, Straight, 12 mm	Reusable
P99-150-0042	Osteotome, Straight, 19 mm	Reusable
P99-150-HB35	3.5 mm Ball Nose Hex Screw Driver, 225 mm Length	Reusable
P99-150-HB35-SHORT	3.5 mm Ball Nose Hex Screw Driver, Short	Reusable
P99-158-0638	Malleable Ribbon Retractor, 6" x 3/8"	Reusable
P99-158-0650	Malleable Ribbon Retractor, 6" x 1/2"	Reusable
P99-160-2411	Steinmann Pin, 316LVM, Smooth, Ø2.4x110 mm	Single-use
P10-842-35SQ	Ø3.5 mm Square Tip, 13CM, Total Ankle Drill	Single-use

## RESECTION CASE CONTENTS:

PART #	DESCRIPTION	USE
P10-920-TFT0	Talar Fin Tower, Size 1N & 1	Reusable
P10-920-TFT2	Talar Fin Tower, Size 2-5	Reusable
P10-920-TLL0	Trial Talus, Chamfer, Size 1N, Left	Reusable
P10-920-TLL[1-5]	Trial Talus, Chamfer, Size 1-5, Left	Reusable
P10-920-TLR0	Trial Talus, Chamfer, Size 1N, Right	Reusable
P10-920-TLR[1-5]	Trial Talus, Chamfer, Size 1-5, Right	Reusable
P10-920-TLRM	Talar Fin Sweeper	Single-use
P10-921-TLL0	Trial Talus, Flat, Size 1N, Left	Reusable
P10-921-TLL[1-5]	Trial Talus, Flat, Size 1-5, Left	Reusable
P10-921-TLR0	Trial Talus, Flat, Size 1N, Left	Reusable
P10-921-TLR[1-5]	Trial Talus, Flat, Size 1-5, Right	Reusable
P10-930-I1[06-12]	Poly Trial Insert, Size 1, 6-12 mm	Reusable
P10-930-I2[06-12]	Poly Trial Insert, Size 2, 6-12 mm	Reusable
P10-930-I3[06-12]	Poly Trial Insert, Size 3, 6-12 mm	Reusable
P10-930-I4[06-12]	Poly Trial Insert, Size 4, 6-12 mm	Reusable
P10-930-I5[06-12]	Poly Trial Insert, Size 5, 6-12 mm	Reusable
P10-944-0975	Talar Chamfer Resection Router, Ø9 mm	Single-use
P10-944-1175	Talar Chamfer Resection Router, Ø11 mm	Single-use
P10-944-1375	Talar Chamfer Resection Router, Ø13 mm	Single-use
P10-944-4013	Talar Peg Router	Single-use
P10-944-LL00	Talar Sizing Resection Guide, Chamfer, Size 1N	Reusable
P10-944-LL0[1-5]	Talar Sizing Resection Guide, Chamfer, Size 1-5	Reusable
P10-944-LL10	Anterior Chamfer Resection Insert, Single-Slotted, Size 1N	Reusable
P10-944-LL1[1-5]	Anterior Chamfer Resection Insert, Single-Slotted, Size 1-5	Reusable
P10-944-TCC3	Chamfer Checker, All-in-one, V2.0	Reusable
P10-944-TCC4	Chamfer Checker, AP Double-Ended, V2.0	Reusable
P10-951-P001	4-Bar Distractor, Tibia Paddle, Constrained	Reusable
P10-951-P002	4-Bar Distractor, Tibia Paddle, A-P Translation	Reusable
P10-951-P011	4-Bar Distractor, Talus Paddle, Size 1N & 1	Reusable
P10-851-P021	4-Bar Distractor, Tibia Implantation Paddle, Gen II	Reusable
P10-951-TBL1	Tibia Impaction Dimple, Left	Reusable
P10-951-TBL2	Tibia Impaction Coin, Left	Reusable
P10-951-TBR1	Tibia Impaction Dimple, Right	Reusable
P10-951-TBR2	Tibia Impaction Coin, Right	Reusable
P10-953-IN01	Poly Trial Handling Tool	Reusable
P10-953-TL01	Talus Trial Handling Tool	Reusable
P10-851-L001	Fluted Single Peg Punch, Left	Reusable
P10-851-TBV[1-6]	4-Bar Distractor, Viper Tip, Sizes 1-6, SS	Reusable
P10-851-TPL[1-6]	Tibia Peg Punch, Left, Sizes 1-6, SS	Reusable
P10-910-TB[1-6]L	Trial Tibia, ARC, Sizes 1-6, Left, SS	Reusable
P10-910-TB[1-6]R	Trial Tibia, ARC, Sizes 1-6, Right, SS	Reusable

## LARGE INSTRUMENT CASE CONTENTS:

PART #	DESCRIPTION	USE
P10-901-PP24	Pin Puller	Reusable
P10-942-APD[1-5]	AP Depth Gauge, Size 1-5	Reusable
P10-944-STR0	Square Tip Ronguer	Reusable
P10-844-02SM	2 mm Dorsal, Re-cut Guide, Narrow	Reusable
P10-844-02LG	2 mm Dorsal, Re-cut Guide, Wide	Reusable
P10-944-TCR2	Posterior, Re-cut Guide	Reusable
P10-851-4BAR	4-Bar Distractor, Gen II	Reusable
P10-851-PT02	Poly Insertion Tool	Reusable
P10-851-TB00	Tibia Impaction Handle	Reusable
P10-952-TL00	Talus Impaction Handle	Reusable
P10-952-TL00-04	Talus Impaction Handle, Pad	Reusable
P99-150-0016	Pin Cutter	Reusable
P99-150-0105	Rasp, General	Reusable
P99-150-1341	Osteotome, Large Handled, Curved, 6 mm	Reusable
P99-150-KC01	Kocher Clamp, 8"	Reusable
P99-150-0098	Curette, 9 mm, 45 Degrees	Reusable
P10-842-AC0[1-6]	Arc Cleanup Block, Size 1-6	Reusable
P10-851-TP12	Impaction Protector, Size 1-2	Single-use
P10-851-TP34	Impaction Protector, Size 3-4	Single-use
P10-851-TP56	Impaction Protector, Size 5-6	Single-use
P10-951-TP0[1-6]	APEX 3D Tibia Impaction Protector, Size 1-6	Single-use

## TIBIA IMPLANT CASE CONTENTS:

PART #	DESCRIPTION	USE
P10-100-BL[1-6][O/S/L]-S	ARC, Left, Tibia Implants	Single-Use
P10-100-BR[1-6][O/S/L]-S	ARC, Right, Tibia Implants	Single-Use
P10-101-BL[1-6][O/S/L]-S	Flat, Left, Tibia Implants	Single-Use
P10-101-BR[1-6][O/S/L]-S	Flat, Right, Tibia Implants	Single-Use

## VITAMIN E POLY IMPLANTS:

PART #	DESCRIPTION	USE
P10-310-I1[0/1][0,1,2,6,7,8,9]	APEX 3D Vitamin E Poly, Size 1 X 6-12 mm Neutral	Single-Use
P10-310-I2[0/1][0,1,2,6,7,8,9]	APEX 3D Vitamin E Poly, Size 2 X 6-12 mm Neutral	Single-Use
P10-310-I3[0/1][0,1,2,6,7,8,9]	APEX 3D Vitamin E Poly, Size 3 X 6-12 mm Neutral	Single-Use
P10-310-I4[0/1][0,1,2,6,7,8,9]	APEX 3D Vitamin E Poly, Size 4 X 6-12 mm Neutral	Single-Use
P10-310-I5[0/1][0,1,2,6,7,8,9]	APEX 3D Vitamin E Poly, Size 5 X 6-12 mm Neutral	Single-Use

## TALUS IMPLANTS:

PART #	DESCRIPTION	USE
P10-250-TLL[0-5]-S	APEX 3D Talus, Chamfer, Left, TPS	Single-Use
P10-250-TLR[0-5]-S	APEX 3D Talus, Chamfer, Right, TPS	Single-Use
P10-251-TLL[0-5]-S	APEX 3D Talus, Flat, Left, TPS	Single-Use
P10-251-TLR[0-5]-S	APEX 3D Talus, Flat, Right, TPS	Single-Use
P10-201-TLL[0-5]-S	APEX 3D™ Talus, Flat, Left, DB	Single-Use
P10-201-TLR[0-5]-S	APEX 3D™ Talus, Flat, Right, DB	Single-Use
P10-200-TLL[0-5]-S	APEX 3D™ Talus, Chamfer, Left, DB	Single-Use
P10-200-TLR[0-5]-S	APEX 3D™ Talus, Chamfer, Right, DB	Single-Use










**P10-STG-0001 RevM [2026-02-10]**

™Trademarks and ®Registered Marks of Paragon 28®, Inc.

© Copyright 2026 Paragon 28®, Inc. All rights reserved.

Patents: [www.paragon28.com/patents](http://www.paragon28.com/patents)

Paragon 28, Inc.   
14445 Grasslands Dr.  
Englewood, CO 80112  
(855) 786-2828

**PATENTED, DESIGNED & EXCLUSIVELY  
DISTRIBUTED BY**

Exclusively foot & ankle **28**  
**Paragon**®

[www.Paragon28.com](http://www.Paragon28.com)

## **DISCLAIMER**

The purpose of the APEX 3D™ Total Ankle Replacement System Surgical Technique Guide is to demonstrate the use of the APEX 3D™ Total Ankle Replacement System. Although various methods can be employed for this procedure, the fixation options demonstrated were chosen for simplicity of explanation and demonstration of the unique features of our device. Federal law (U.S.A.) restricts this device to sale and use by, or on order of, a physician.