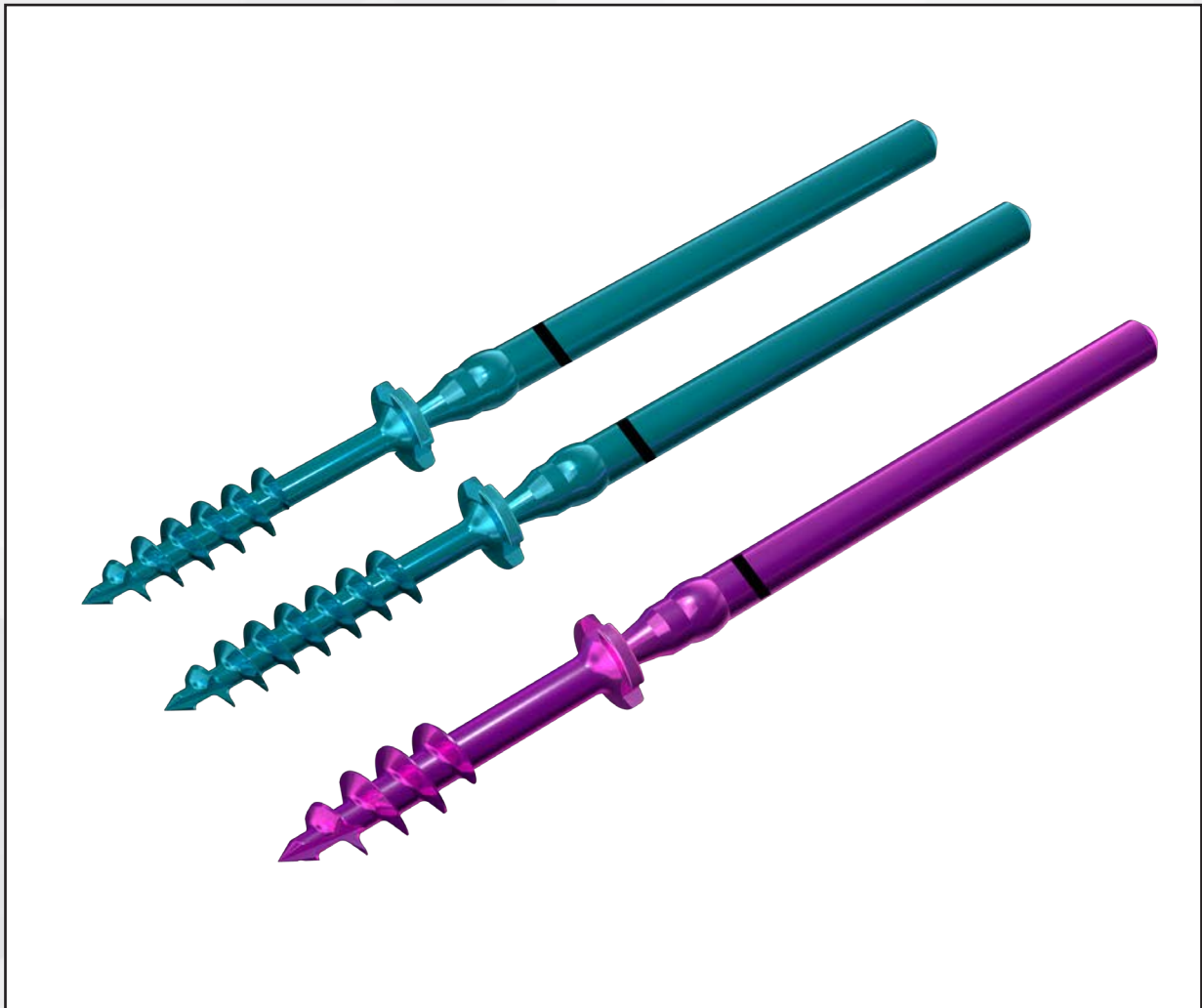


MONSTERTM SCREW SYSTEM

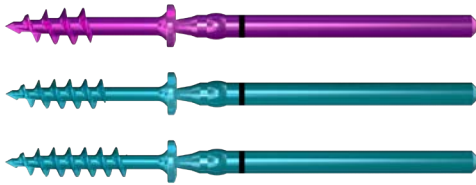
Monster[®] BITE Screw System



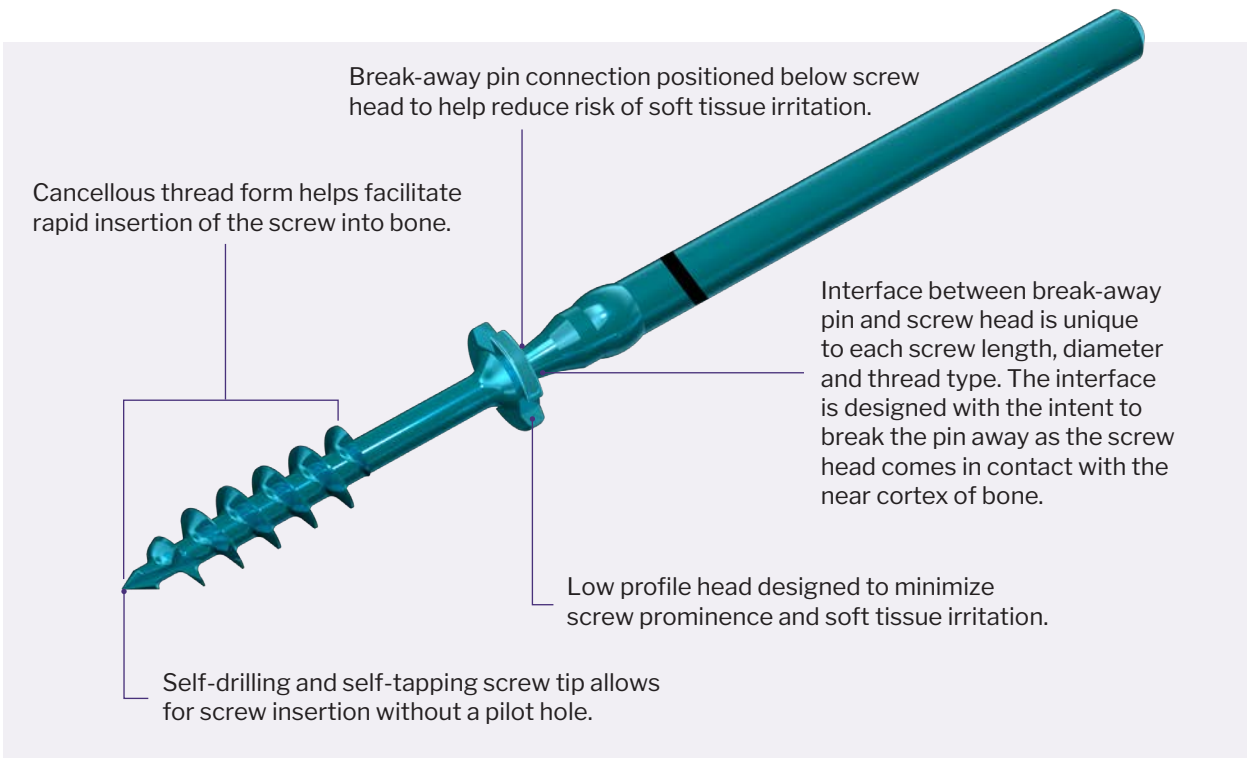
PRODUCT INFORMATION

Description

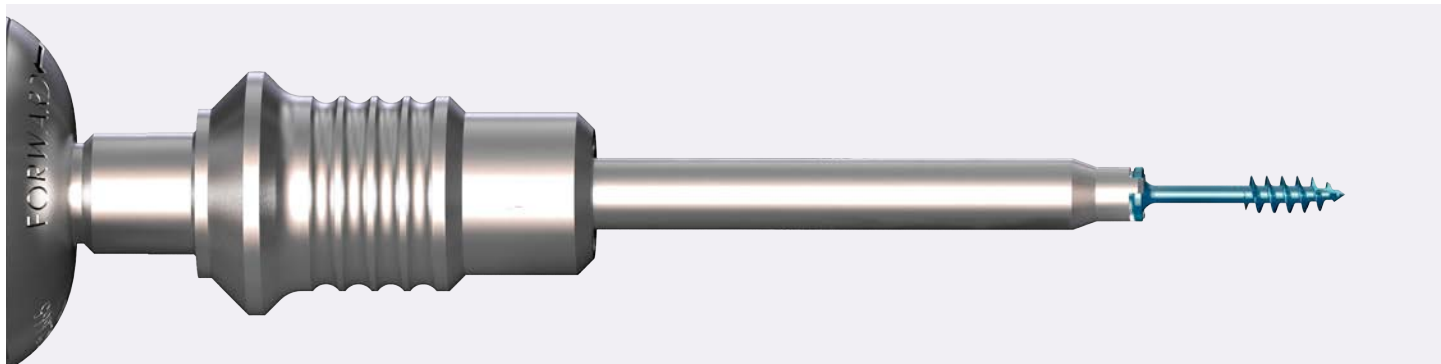
To address varying patient anatomies and address indications throughout the foot and ankle, the Monster® BITE Screw system includes 22 total implants in Ø2.0 mm and Ø2.7 mm diameters constructed from Titanium Alloy Ti 6Al-4V.



Diameter	Thread Length	Screw Lengths (mm)												
		8	9	10	11	12	13	14	16	18	20	22	24	
Ø2.0 mm	Short (1/2 Threaded)			✓	✓	✓	✓	✓	✓					
Ø2.0 mm	Long (3/4 Threaded)	✓	✓	✓	✓	✓	✓	✓	✓					
Ø2.7 mm	Short (1/2 Threaded)		✓		✓				✓	✓	✓	✓	✓	✓



SYSTEM SPECIFIC INFORMATION



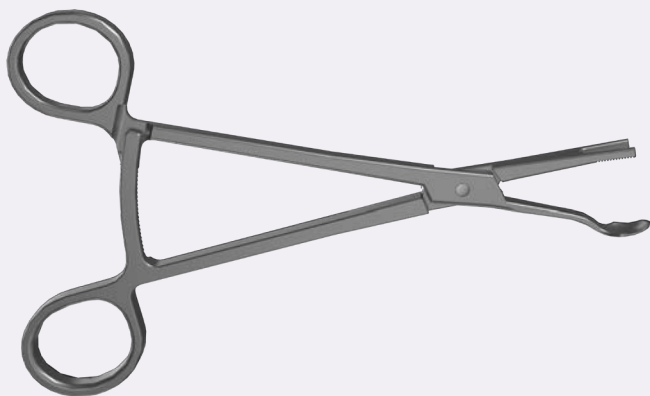
Monster® BITE 3 Prong Driver Shaft, A/O Connection

Aids in fully seating the screw in cases where the pin breaks away from the head of the screw prior to the screw head becoming flush to the bone.

Note: Each implant has a unique torque break away value calibrated for the length, diameter and thread length of the screw to help provide optimal break-away timing of the pin.

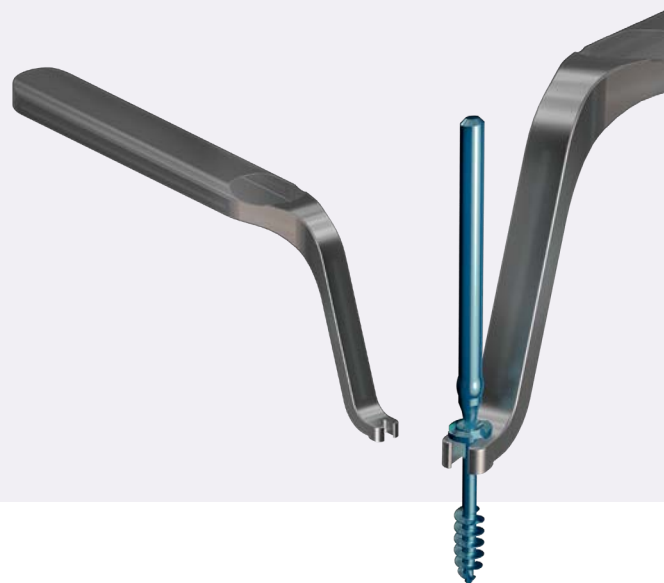
Weil Clamp

The Weil Clamp is designed to be placed around the osteotomy to temporarily secure the position of the distal fragment. The Weil Clamp can determine the approximate height of the metatarsal head by reading the distance off of the ratchet on the clamp.



Monster® BITE, Counter Lever


May be used in soft bone or unstable osteotomies to aid in detaching the pin away from the head of the screw if breakaway does not occur with screw head contact to bone. The Counter Lever is designed to sit on top of the screw head and below the ball on the pin.





Monster® BITE Screw System

MBSS-01 Rev1-DRAFT-JPN
2023-10-25

Paragon 28°, Inc. 
14445 Grasslands Dr.
Englewood, CO 80112 USA
(855) 786-2828

Paragon 28° Medical Devices Trading Limited
First Floor Block 7 Beckett Way
Park West Business Park
Dublin 12
D12 X884
Ireland
+353 (0) 1588 0350

™Trademarks and *Registered Marks of Paragon 28°, Inc.
© Copyright 2023 Paragon 28°, Inc. All rights reserved.
Patents: www.paragon28.com/patents

Exclusively foot & ankle **28**
Paragon®

www.Paragon28.com

For the contraindications, potential complications and adverse reactions, warnings and precautions associated with this device, please refer to the device specific instructions for use at <http://www.paragon28.com/ifus>