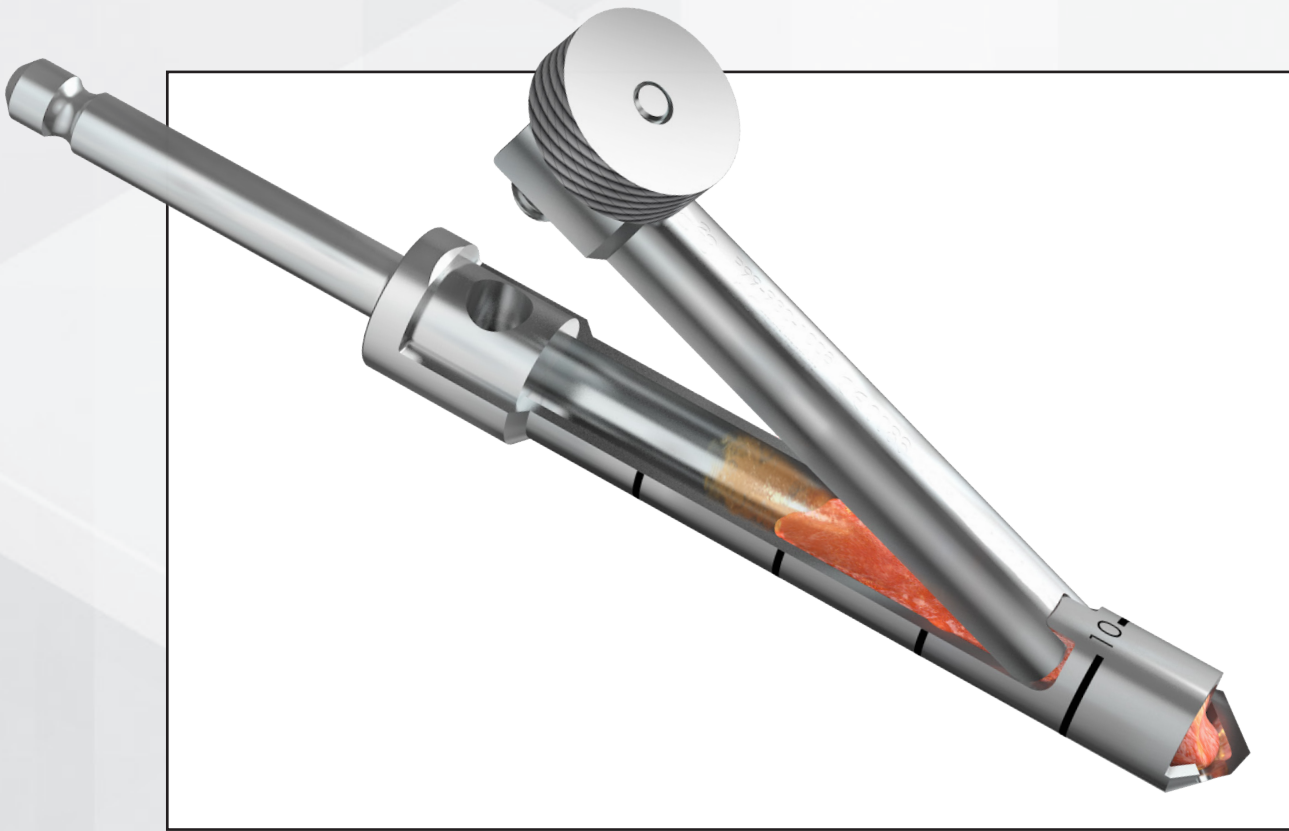


BONE GRAFT™ HARVEST SYSTEM

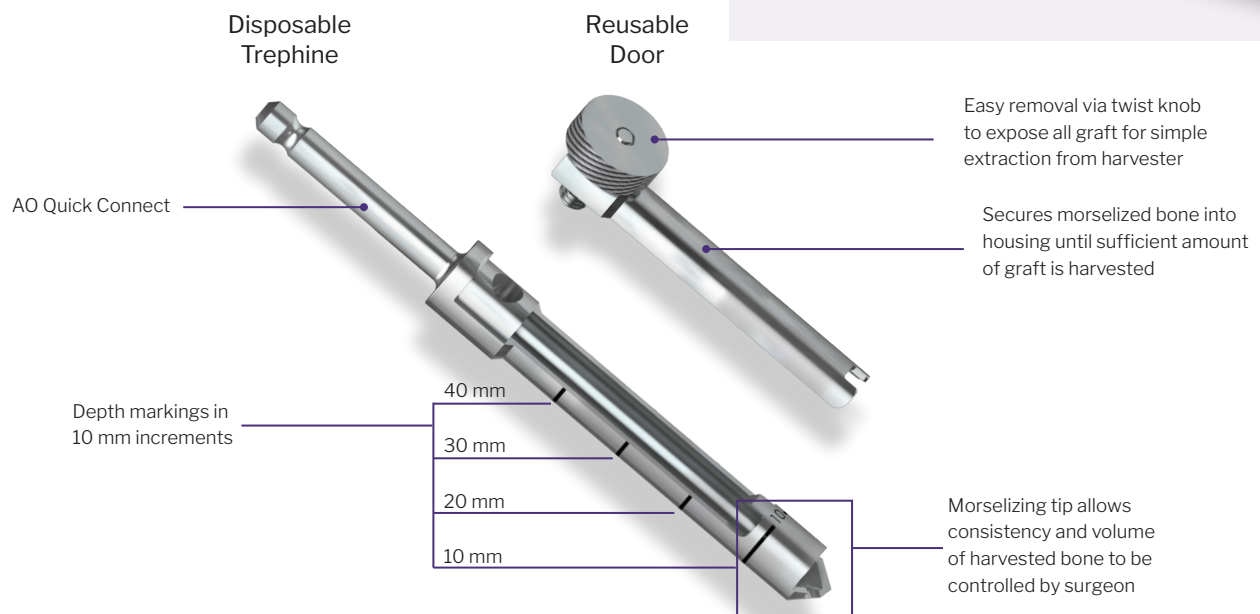
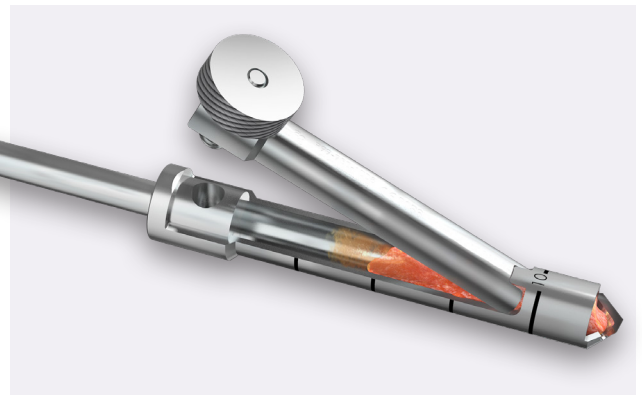
Bone Graft™ Harvest System



BONE GRAFT HARVEST SYSTEM

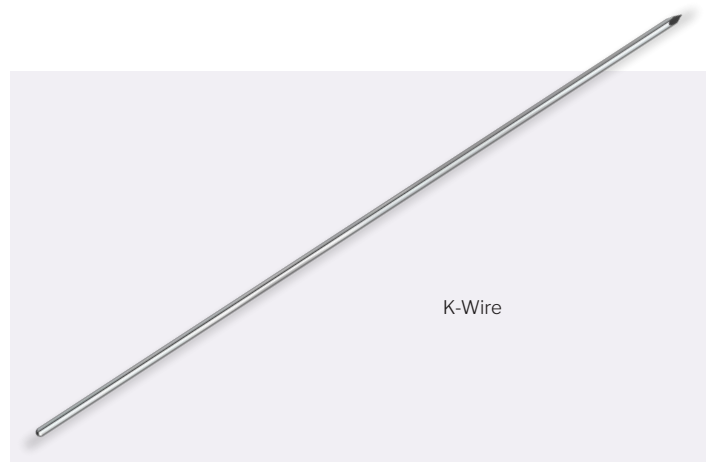
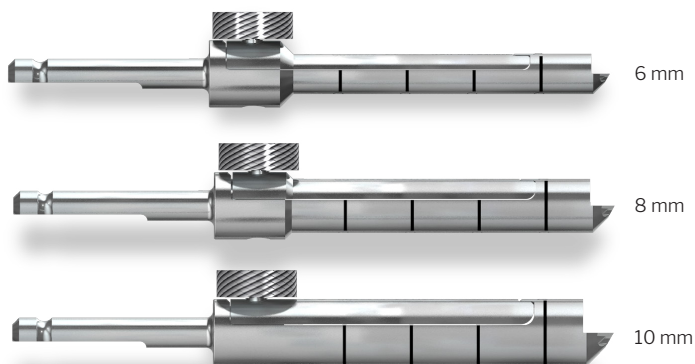
PRODUCT INFORMATION

- ▶ Convenient instrumentation and straight forward technique to harvest cancellous autograft bone
- ▶ Available as a small, easy to use set compatible with the Gorilla® R3CON Plating System



SYSTEM CONTENTS

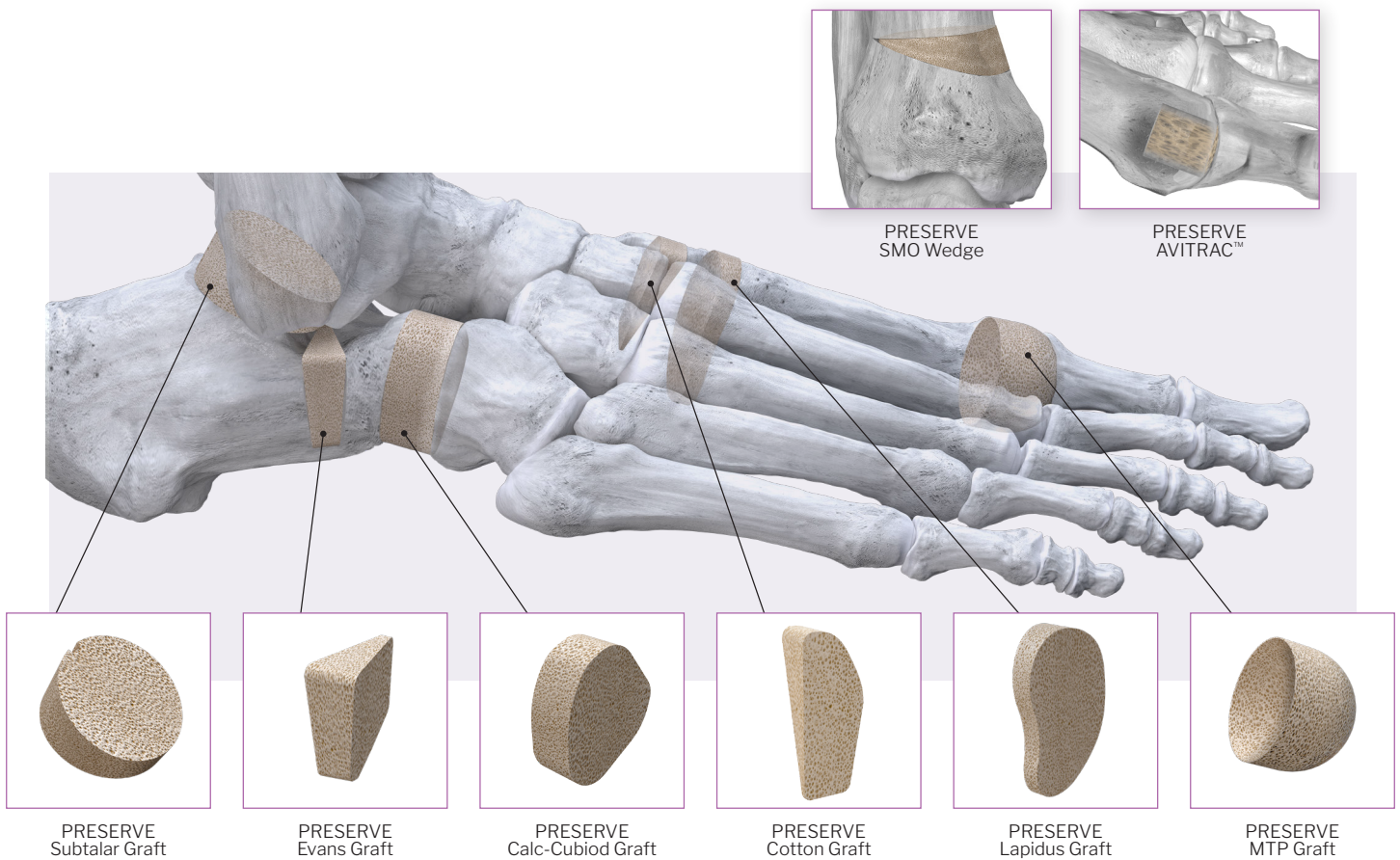
- ▶ Available in 6 mm, 8 mm and 10 mm diameters
- ▶ Ø2.3 mm K-Wire available for use if pilot hole is desired



PRESERVE™ BONE WEDGE SYSTEM

Allograft Features:

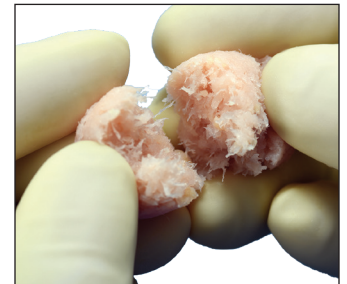
- ▶ Aseptically processed
 - No gamma irradiation or bleach used to preserve natural elements and structures for osseointegration and osteoconduction
- ▶ Density matched
- ▶ Available for Evans, Cotton, MTP, Lapidus, Subtalar, Calc-Cuboid, AVITRAC, and SMO Bone wedges procedures



V92 FC+™ VIABLE BONE MATRIX

Allogenic bone matrix containing osteoprogenitor cells which aid in bone remodeling

- ▶ Up to 92% Cell Viability Post Thaw
- ▶ 1.5M total cells/cc with primitive, osteogenic cells only
- ▶ Novel Non-DMSO Cryoprotectant
 - No decanting or rinsing required
- ▶ Optimized Bone Scaffold Component for cellular attachment and signaling
 - Mineralized scaffold is a combination of cancellous and demineralized cortical bone
- ▶ Packaged in an easy-to-use syringe
- ▶ Four-hour working window
- ▶ Safe Tissue Processing
 - All graft portions from a single donor
 - Aseptically processed



V92-FC+™ Cellular Bone Matrix



Bone Marrow Aspirate Kit™

OTHER PARAGON 28® BIOLOGIC SOLUTIONS

BEAST™
INJECTABLE PUTTY
DEMINERALIZED BONE MATRIX



1.0cc, 2.5cc, 5.0cc, 10.0cc

DBM derived from cortical bone

BEAST+™
DEMINERALIZED BONE MATRIX



2.5cc, 5.0cc, 10.0cc

DBM derived from cortical bone and mixed with cortical chips

BEAST™
OSTEOBIOLOGIC SPONGE



26mm x 19mm x 7mm

DBM Sponge derived from cancellous bone

CORTICOL FIBERS



5.0cc

Demineralized Cortical Bone Shavings

HARV-01 RevD
2023-11-15

Paragon 28, Inc. 🏢
14445 Grasslands Dr.
Englewood, CO 80112 USA
(855) 786-2828

Paragon 28 Medical Devices Trading Limited
First Floor Block 7 Beckett Way
Park West Business Park
Dublin 12
D12 X884
Ireland
+353 (0) 1588 0350

™Trademarks and ®Registered Marks of Paragon 28®, Inc.
© Copyright 2023 Paragon 28®, Inc. All rights reserved.
Patents: www.paragon28.com/patents

Exclusively foot & ankle
Paragon 28®

www.Paragon28.com

For the contraindications, potential complications and adverse reactions, warnings and precautions associated with this device, please refer to the device specific instructions for use at <http://www.paragon28.com/ifus>